

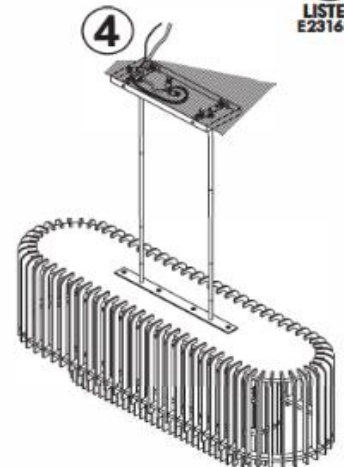
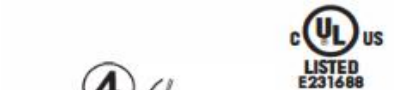
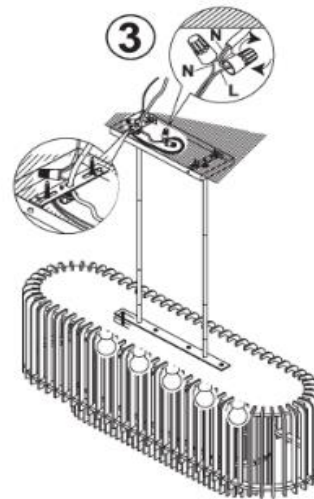
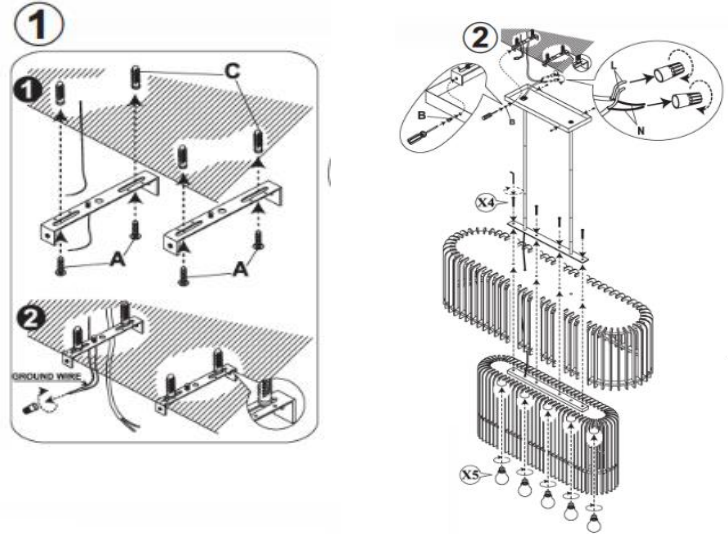
# ASSEMBLY INSTRUCTIONS

## ITEM DESCRIPTION:

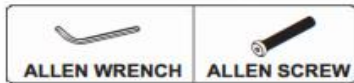
ITEM NO.: 89334	NAME: Valencia Chandelier
MATERIAL TYPE: Steel	FINISH: Antique Brass
SOCKET TYPE: E26	SOCKET QTY: 5
BULB WATTAGE: 60W/16W CFL/13W LED	
VOLTAGE: 110-120 V	ITEM NET WEIGHT: 20.5LBS

### TO ASSEMBLE:

1. Remove all packing contents from the carton(s) carefully. Ensure you have all parts indicated before you begin assembly.
2. Shut off the main electrical supply from the main fuse box/circuit breaker.
3. Follow steps in diagrams 1 - 4.
4. Once installed and bulbs are inserted, restore power and test fixture.



### PARTS/HARDWARE INCLUDED:



### TO INSTALL YOU WILL NEED:

- 2 people recommended
- Phillips Screwdriver

These instructions are provided for safety. It is very important that they are read carefully and completely before beginning installation of this chandelier.

We strongly suggest that all hard-wired fixtures must be installed by a professional electrician.

### CARE INSTRUCTIONS:

Wipe with a soft, dry cloth. To protect finish, avoid the use of chemicals and household cleaners.

For customer service questions call 1-800-338-2150

ARTERIOS