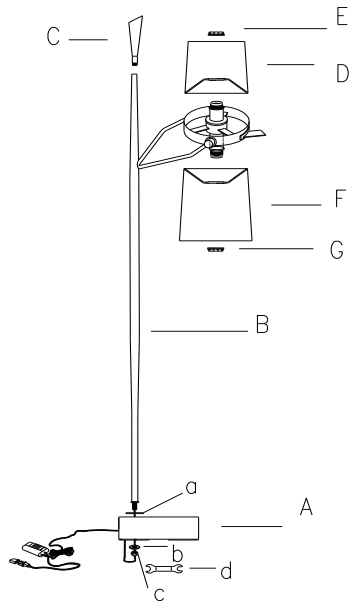


ASSEMBLY INSTRUCTIONS

ITEM DESCRIPTION:

ITEM NO.: 79680	NAME: Yasmin Floor Lamp
MATERIAL TYPE: Iron	FINISH: Antique Black
SOCKET TYPE: E26	SOCKET QTY: 2
BULB WATTAGE: 60W/CFL 16W/LED 13W	
VOLTAGE: 110-120 V	ITEM NET WEIGHT: 22.5LBS



TO ASSEMBLE:

1. Pull excess wire through the base before assembling the lamp.
2. Pass the tip of column (B) through the brass washer (a), base (A), and locker washer (b) then tighten the base by screwing the hexagon nut (c) with the wrench (d) until tight.
3. Screw the finial (C) on the top of column (B).
4. Unscrew the socket ring (E) from the socket then attach the top shade (D) onto the socket, tighten the socket ring (E) clockwise to secure the shade.
5. Repeat the above operation on the bottom shade (F).

CARE INSTRUCTIONS:

- Clean with soft, dry cloth.
- Always avoid the use of harsh chemicals or abrasive cleaners as they may cause damage to the lamp.

IMPORTANT SAFETY INSTRUCTIONS:

For safety purposes, this lamp is equipped with a polarized plug (one blade is wider than the other) (For North America Customers Only). If the plug does not fit securely into your outlet, do not force it – contact a professional electrician. Use the plug with an extension cord only if it can be fully inserted into the cord's socket. Never alter the plug in any way. This instruction is provided for your safety. It is important that it is read carefully and completely before assembling the fixture.

To avoid risk of fire, do not exceed the recommended wattage.

WARNING:

- To reduce the risk of fire, electrical shock, or personal injury, always turn off and unplug lamp and allow it to cool prior to replacing the bulb.
- Do not touch bulb when fixture is turned on. Do not look directly at lit bulb.
- Keep flammable materials away from lit bulb.

PARTS INCLUDED:

Base (A)	Qty: 1
Column (B)	Qty: 1
Finial (C)	Qty: 1
Top Shade (D)	Qty: 1
Bottom Shade (F)	Qty: 1
Socket Ring (E) (G)	Qty: 2
Brass Washer (a)	Qty: 1
Locker Washer (b)	Qty: 1
Hexagon Nut (c)	Qty: 1
Wrench (d)	Qty: 1

PRE-ASSEMBLY:

- Remove all parts and hardware from box along with any plastic protecting packaging.
- Do not discard any contents until after assembly is complete to avoid accidentally discarding small parts or hardware.

For customer service questions call 1-800-338-2150

ARTERIO RS