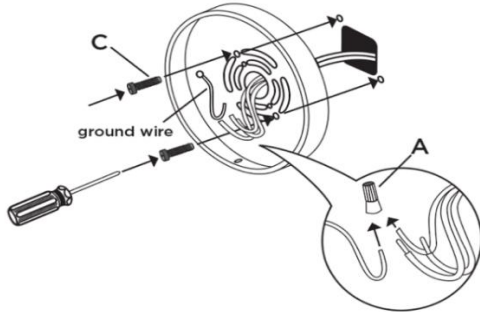


# ASSEMBLY INSTRUCTIONS

## ITEM DESCRIPTION:

ITEM NO.: DD42622	NAME: Aramis Sconce
MATERIAL TYPE: Brass	FINISH: Bronze
SOCKET TYPE: E12	SOCKET QTY: 1
BULB WATTAGE: 40W/10W CFL/9W LED	
VOLTAGE: 110-120 V	ITEM NET WEIGHT: 7.12LBS



## PARTS INCLUDED:

Mounting Plate	Qty: 1
Back Plate	Qty: 1

## HARDWARE INCLUDED:

Mounting Screws	2 Pc
Plastic Wire Connector	2 Pc
Canopy Screw	2 Pc

## TO INSTALL YOU WILL NEED:

- Screwdriver

These instructions are provided for safety. It is very important that they are read carefully and completely before beginning installation.

We strongly suggest that all hard-wired fixtures must be installed by a professional electrician.



## TO ASSEMBLE:

1. Shut off the main electrical supply from the main fuse box/circuit breaker.
2. Attach mounting plate to wall or junction box using mounting screws.
3. Connect ground wire from wall to ground wire from lamp using wire caps .
4. Attach house wire to lamp wires as shown. Fasten the pairs together with a wire caps. **DO NOT REVERSE THE HOT AND NEUTRAL CONNECTIONS OR SAFETY WILL BE COMPROMISED.**
5. Attach front face of light to back plate by inserting canopy screws through pre-drilled holes in front face and into back plate as shown. Tighten using a screwdriver.
6. Insert 1 Type B 40W Or 10W SBCFL or 9W SBLED (not included) into the socket. **DO NOT EXCEED SPECIFIED WATTAGE**
7. Restore power to junction box and test fixture.

## CARE INSTRUCTIONS:

Wipe with a soft, dry cloth. To protect finish, avoid the use of chemicals and household cleaners.

For customer service questions call 1-800-338-2150

ARTERIO RS