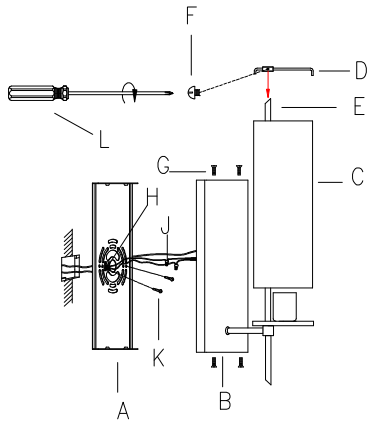


ASSEMBLY INSTRUCTIONS

ITEM DESCRIPTION:

ITEM NO.: 49355	NAME: Stefan Scence
MATERIAL TYPE: Glass	FINISH: Frosted
SOCKET TYPE: E26	SOCKET QTY: 1
BULB WATTAGE: 60W/16W CFL/13W LED	
VOLTAGE: 110-120 V	ITEM NET WEIGHT: 2LBS



PARTS INCLUDED:

Mounting Plate (A)	Qty: 1 Pc
Back Plate (B)	Qty: 1 Pc
Glass Shade (C)	Qty: 1 Pc
Shade Fixer (D)	Qty: 1 Pc
Pipe (E)	Qty: 1 Pc
Head Screw (F)	Qty: 1 Pc
Canopy Screw (G)	Qty: 4 Pcs
Green Ground Screw (H)	Qty: 1 Pc

HARDWARE INCLUDED:

Plastic Wire Connector (I)	Qty: 2
Mounting Screws (J)	Qty: 2

TOOLS NEEDED (Not Included):

1 Screwdriver (L)

These instructions are provided for safety. It is very important that they are read carefully and completely before beginning installation.

We strongly suggest that all hard-wired fixtures must be installed by a professional electrician.



TO ASSEMBLE:

1. Shut off the main electrical supply from the main fuse box/circuit breaker.
2. Pull the electrical cord of the "J box" through the exit hole of the mounting plate (A).
3. Attach the ground wire from the fixture to the ground junction box wire from the outlet (usually green or bare wire) fasten each together with a plastic wire connector (I) and wrap the connection with electrical tape. If your outlet box does not have a ground wire, insert the green ground screw into the mounting plate (A) facing down, and wrap the fixture's bare ground wire around the ground screw. IT IS IMPERATIVE THAT THE OUTLET BOX IN YOUR HOME BE PROPERLY GROUNDED.
4. Connect the neutral fixture wire to the neutral junction box wire (usually white). Fasten each together with a wire connector (I) and wrap the connection with electrical tape. Be sure no strands are exposed.
5. Connect the hot fixture wire to the hot junction box wire (usually black). Fasten each together with a plastic wire connector (I) and wrap the connection with electrical tape. Be sure no wire strands are exposed. DO NOT REVERSE THE HOT AND NEUTRAL CONNECTIONS OR SAFETY WILL BE COMPROMISED.
6. Gently tuck the wire connections neatly into the junction box.
7. Attach the mounting plate (A) to the outlet box by using the mounting screws (J), and tighten it with a screwdriver.
8. Attach the back plate (B) to the mounting plate (A) by using the enclosed plate screws (B). Tighten the screws (B) with a screwdriver.
9. Attach the glass shade (C) to the socket and pass the pipe (E) through the glass shade, then use the screwdriver (L).
10. Restore power to junction box and test fixture. DO NOT EXCEED SPECIFIED MAX WATTAGE.

CARE INSTRUCTIONS:

Wipe with a soft, dry cloth. To protect finish, avoid the use of chemicals and household cleaners.

For customer service questions call 1-800-338-2150

ARTERIO RS