

ASSEMBLY INSTRUCTIONS

ITEM DESCRIPTION:

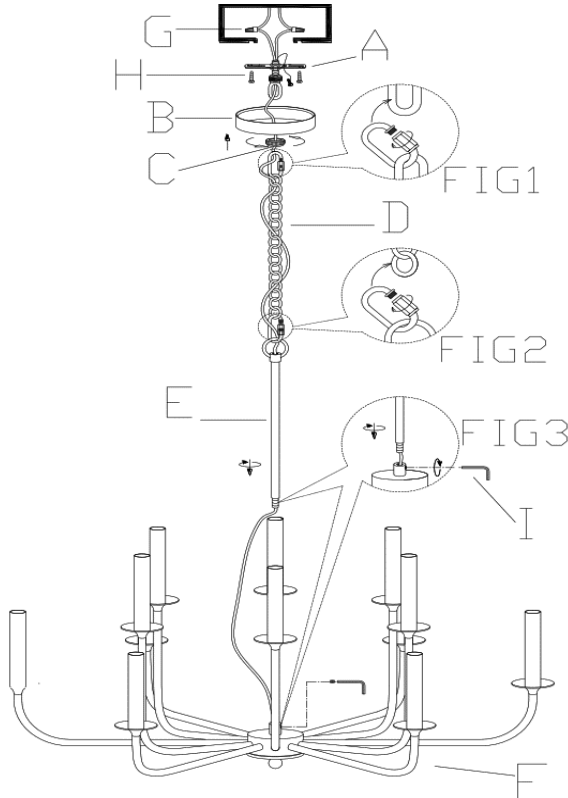
ITEM NO.: 89343 NAME: Breck Small Chandelier

MATERIAL TYPE: Steel FINISH: Antique Brass

SOCKET TYPE: E12 SOCKET QTY: 12

BULB WATTAGE: 40 W/10W CFL/9W LED

VOLTAGE: 110-120 V ITEM NET WEIGHT: 13.5LBS



PARTS INCLUDED:

A Mounting Plate	Qty: 1	D Chain	Qty: 1
B Canopy	Qty: 1	E Pipe	Qty: 1
C Collar Loop	Qty: 1	F Main Body	Qty: 1

HARDWARE INCLUDED:

H Plastic Wire Connector	2 Pc	J Allen Wrench	1 Pc
I Mounting Screws	2 Pcs		
Green Ground Screw	1 Pc		

TO INSTALL YOU WILL NEED:

- 2 people recommended
- Phillips Screwdriver

These instructions are provided for safety. It is very important that they are read carefully and completely before

We strongly suggest that all hard-wired fixtures must be installed by a professional electrician.

TO ASSEMBLE:

1. Remove all packing contents and parts from the carton(s) carefully. Ensure you have all parts indicated before you begin assembly.
2. Shut off the main electrical supply from the main fuse box/circuit breaker.
3. Remove the mounting plate(a) from the canopy(b) by turning collar loop (c) in a counterclockwise direction.
4. As fig 3, screw the pipe(e) on the top of main body till tight, and tighten the hexangular screw in the side desire hole by Allen wrench(i).
5. Carefully inspect the pendant's fixture wires. The neutral fixture wire has very fine ridges molded, into its plastic covering. The hot fixture wire has a smooth covering. The bare silver wire is the grounded wire.
6. Attach the ground wire from the fixture to the ground junction box wire from the outlet (usually green) or bare wire). Fasten each together with a plastic wire connector (g) and wrap the connection with electrical tape. If your outlet box does not have a ground wire, insert the green ground screw into the mounting plate (a) facing down, and wrap the fixture's bare ground wire around the ground screw. It is imperative that the outlet box in your home be properly grounded.
7. Connect the neutral fixture wire to the neutral junction box wire (usually white). Fasten each together with a wire connector (g) and wrap the connection with electrical tape. Be sure no strands are exposed.
8. Connect the hot fixture wire to the hot junction box wire (usually black). Fasten each together with a plastic wire connector (g) and wrap the connection with electrical tape. Be sure no wire strands are exposed. Do not reverse the hot and neutral connections or safety will be compromised.
9. Gently tuck the wire connections neatly into the ceiling junction box.
10. Attach the mounting plate (a) with nipple to the ceiling outlet box using the enclosed mounting screws (h) and tighten screws with a screwdriver.
11. Push collar loop in canopy (b) and thread onto nipple in mounting plate (a) by turning in a clockwise
12. Connect the chain (d) to the chandelier and to canopy by using the chain connectors as shown in fig 1 & fig 2.
13. Insert 12 type g 40w bulbs (or suitable cfl/10w, or led 9w bulbs, not included) into the sockets. Do not exceed specified wattage.
14. Gently lower the chandelier until the chain is fully extended.
15. Restore power to the junction box and test fixture.

CARE INSTRUCTIONS:

Wipe with a soft, dry cloth. To protect finish, avoid the use of chemicals and household cleaners.

For customer service questions call 1-800-338-2150

ARTERIO RS