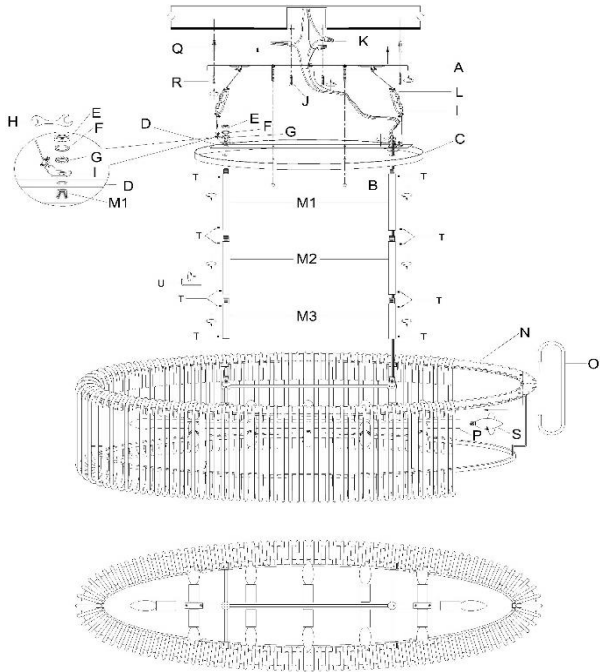


ASSEMBLY INSTRUCTIONS

ITEM DESCRIPTION:

ITEM NO.: 89352	NAME: Chandler Chandelier
MATERIAL TYPE: Steel/Glass	FINISH: Antique Brass/Clear
SOCKET TYPE: E12	SOCKET QTY: 12
BULB WATTAGE: 60W/16W CFL/13W LED	
VOLTAGE: 110-120 V	ITEM NET WEIGHT: 48.5LBS



TO ASSEMBLE:

1. Remove all packing contents from the carton(s) carefully. Please be sure you have all parts indicated before you begin assembly.
2. Shut off the main electrical supply from the main fuse box/circuit breaker.
3. Connect lamp body(n) and canopy(c)with rods (m1, m2, m3) when you connect the rods, loosen the small hex screws(t) first then tighten with Allen wrench(u). After all rods are connected. Be sure all the hexangular screws are tight enough.
4. Place the metal plate(d), hook 1(l), washer(g), lock washer(f), hex nut(e) onto the canopy (c), then secure with wrench(h) as fig 1. Lock hook(l) and hook(l) together and be sure locked completed and safety.
5. Pull the electrical cord from canopy through the exit hole of the mounting plate(a)
6. Drill 2 holes in wall in line with 2 holes of mounting plate(a), insert anchors(q)into drilled holes. Fasten mounting plate(a) to wall by screwing the 2 strengthen screws(r) provided in the anchors(q). Attach the mounting plate (a) to the outlet by box using the mounting screws(j).
7. Carefully inspect the pendant's fixture wires. The neutral fixture wire has very fine ridges molded into its plastic covering. The hot fixture wire has a smooth covering. The bare silver wire is the grounded wire.
8. Attach the ground wire from the fixture to the ground junction box wire from the outlet (usually green or bare wire). Fasten each together with a plastic wire connector (l) and wrap the connection with electrical tape. If your outlet box does not have a ground wire, insert the green ground screw(h) into the mounting plate (a) facing down, and wrap the fixture's bare ground wire around the ground screw. It is imperative that the outlet box in your home be properly grounded.
9. Connect the neutral fixture wire to the neutral junction box wire (usually white). Fasten each together with a wire connector (l) and wrap the connection with electrical tape. Be sure no strands are exposed.
10. Connect the hot fixture wire to the hot junction box wire (usually black). Fasten each together.
11. With a plastic wire connector (l) and wrap the connection with electrical tape. Be sure no wire strands are exposed. Do not reverse the hot and neutral connections or safety will be compromised.
12. Gently tuck the wire connections neatly into the ceiling junction box.
13. Attach the canopy(c) to the mounting plate(a) using the enclosed canopy screws(b). Secure the canopy by tightening 2 canopy screws(b)
14. Insert 12 type b 60w bulb (or cfl 12w or led 10w, not included) (p)into the sockets(p).do not exceed specified wattage.
15. Attach glass(o) onto lamp body(n) carefully and adjust the glass (o) in a comfortable space.
16. Restore power to the junction box and test fixture.

PARTS INCLUDED:

A MOUNTING PLATE	1 PC	M RODS	6 PCS
B CANOPY SCREWS	2 PCS	N LAMP BODY	1 PC
C CANOPY	1 PC	O GLASS	130 PCS
D METAL PLATE	1 PC	P SOCKETS	12 PCS
E HEX NUT	2 PCS	Q ANCHOR	2 PCS
F LOCK WASHER	2 PCS	R STRENGTHEN SCR	2 PCS
G WASHER	2 PCS	S BULBS(NOT INCLUI	12 PCS
H WRENCH	1 PC	T HEX SCREWS	12 PCS
I HOOK 1	2 PCS	U ALLEN WRENCH	1 PC
L HOOK 2	2 PCS		

HARDWARE INCLUDED:

K Plastic Wire Connector	2 Pcs	P Allen Wrench	1 Pc
J Mounting Screws	2 Pc		
Green Ground Screw	1 Pc		

TO INSTALL YOU WILL NEED:

- 2 people recommended
- Phillips Screwdriver

These instructions are provided for safety. It is very important that they are read carefully and completely before beginning installation of this chandelier.

We strongly suggest that all hard-wired fixtures must be installed by a professional electrician.

CARE INSTRUCTIONS:

Wipe with a soft, dry cloth. To protect finish, avoid the use of chemicals and household cleaners.

For customer service questions call 1-800-338-2150

ARTERIOS