

# ASSEMBLY INSTRUCTIONS

## ITEM DESCRIPTION:

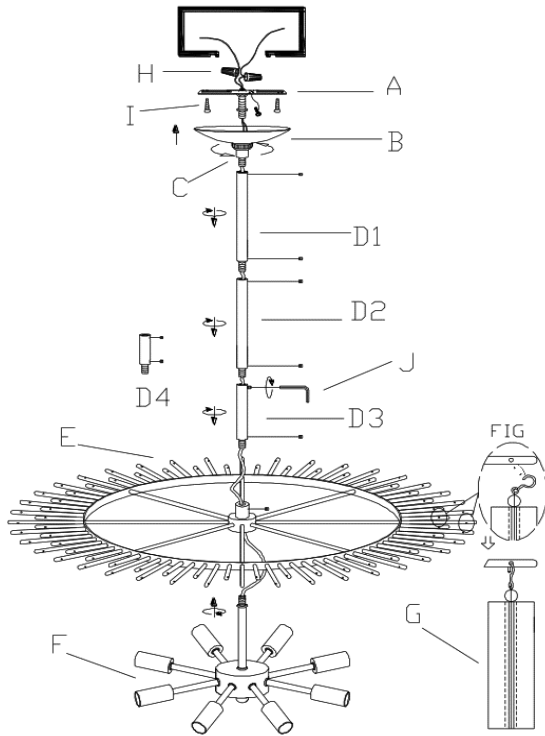
ITEM NO.: 89424 NAME: Nessa Round Chandelier

MATERIAL TYPE: Steel/Glass FINISH: Antique Brass/Clear

SOCKET TYPE: E12 SOCKET QTY: 8

BULB WATTAGE: 60W/16W CFL/13W LED

VOLTAGE: 110-120 V ITEM NET WEIGHT: 16LBS



## TO ASSEMBLE:

1. Remove all packing contents from the carton(s) carefully. Please be sure you have all parts indicated before you begin assembly.
2. Shut off the main electrical supply from main fuse box/circuit breaker.
3. Screw the rod(d3) to the main body (e) and tighten the hexangular screw. Side hole with Allen wrench(j). repeat same operation on the rod (d1) and (d2). If the ceiling is high enough, pls assemble the rod(d4) if need.
4. Carefully screw the socket assembly(f)to the main body(e)till tight.
5. Insert 8 type b 60w bulbs (or suitable cfl16w/led 13w, not included) into the sockets. Do not exceed specified wattage.
6. Remove the mounting plate(a)from the canopy(b)by turning collar loop (c) in a counterclockwise direction.
7. As fig 1, hook the glass rods(g) into the desired hole of the metal ribs. Pls be sure hook the inner holes then outer holes. Repeat the same operation on the remaining 79pcs glass rods.
8. Carefully inspect the pendant's fixture wires. The neutral fixture wire has very fine ridges molded into its plastic covering. The hot fixture wire has a smooth covering. The bare silver wire is the grounded wire.
9. Attach the ground wire from the fixture to the ground junction box wire from the outlet (usually green or bare wire). Fasten each together with a plastic wire connector (h) and wrap the connection with electrical tape. If your outlet box does not have a ground wire, insert the green ground screw into the mounting plate (a) facing down, and wrap the fixture's bare ground wire around the ground screw. It is imperative that the outlet box in your home be properly grounded.
10. Connect the neutral fixture wire to the neutral junction box wire (usually white). Fasten each together with a wire connector (h) and wrap the connection with electrical tape. Be sure no strands are exposed.
11. Connect the hot fixture wire to the hot junction box wire (usually black). Fasten each together with a plastic wire connector (h) and wrap the connection with electrical tape. Be sure no wire strands are exposed. Do not reverse the hot and neutral connections or safety will be compromised.
12. Gently tuck the wire connections neatly into the ceiling junction box.
13. Attach the mounting plate (a) with nipple to the ceiling outlet box using the enclosed mounting screws (i) and tighten screws with a screwdriver.
14. Push collar loop in canopy (b) and thread onto nipple in mounting plate (a) by turning in a clockwise
15. Screw rod (d1) to canopy (b), using hexangular screw and Allen wrench(j) be sure all the hexangular screws are tight enough.
16. Restore power to the junction box and test fixture.

## PARTS INCLUDED:

A MOUNTING PLATE	1 PC	E MAIN BODY	1 PC
B CANOPY	1 PC	F SOCKET ASSEMBL'	1 PC
C COLLAR LOOP	1 PC	G GLASS ROD	82 PCS
D RODS	4 PCS		

## HARDWARE INCLUDED:

K Plastic Wire Connector	2 Pcs	P Allen Wrench	1 Pc
J Mounting Screws	2 Pc		
Green Ground Screw	1 Pc		

## TO INSTALL YOU WILL NEED:

- 2 people recommended
- Phillips Screwdriver

These instructions are provided for safety. It is very important that they are read carefully and completely before beginning installation of this chandelier.

We strongly suggest that all hard-wired fixtures must be installed by a professional electrician.

## CARE INSTRUCTIONS:

Wipe with a soft, dry cloth. To protect finish, avoid the use of chemicals and household cleaners.

For customer service questions call 1-800-338-2150

ARTERIOS