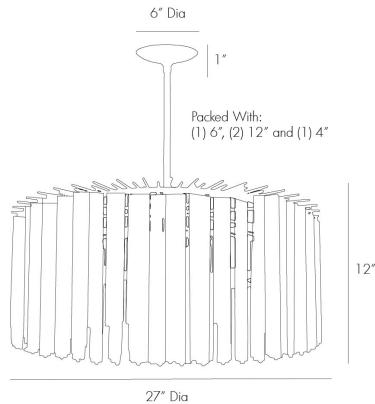


ARTERIOS

NESSA ROUND CHANDELIER



89424

H: 15 IN, Dia: 27.00 IN

Antique Brass, Clear Glass

Contract Suitable As Is

The smaller space with lower ceilings finally has its focal point with the Nessa Round Chandelier, the more compact cousin of the larger, oval Nessa Chandelier (89009). The antique brass circular frame is adorned with clear fluted glass rods, all individually attached, adding the design's glam quotient. Shown with small clear tubular bulbs. Additional pipe available (PIPE-101). Also available in polished nickel (89425). Damp-rated, although limited covered outdoor conditions may affect finish.

APPEARANCE

| | |
|------------------|----------------|
| Material | Glass, Steel |
| Material Type | Fluted, Plated |
| Finish | Antique Brass |
| Top Coat/Sealant | true |
| Link | Welded |

DIMENSIONS

| | |
|------------------------|-------------------------|
| Chandelier | H: 12 IN, Dia: 27.00 IN |
| Minimum Hanging Height | 15 IN |
| Maximum Hanging Height | 49 IN |
| Canopy | H: 1 IN, Dia: 6.00 IN |

WIRING

| | |
|-------------------|--------------------------|
| Rating | Damp |
| Cord | 10 FT, Black, SVT |
| Socket | 8, Type B=-E12 Other |
| Photographed Bulb | Small Clear Tubular Bulb |
| Maximum Watt | 60 |
| Voltage | 110-120 V |

CERTIFICATIONS

| | |
|----------------|---|
| Certifications | Mexico European Union, United Arab Emirates, United States, Canada |
|----------------|---|

COMPLIANCY

| | |
|--------|------|
| UL/ETL | Yes |
| CB | Yes |
| RoHS | true |

SHIPPING

| | |
|----------------|------------------------------|
| Product Weight | 16 LBS |
| Gross Weight 1 | 19.5 LBS |
| Shipping Box 1 | H: 10 IN, L: 31 IN, W: 31 IN |

REPLACEMENT PARTS

| | |
|------------------------|-------------------------|
| Replacement Part 1 | PIPE-101 |
| Replacement Part 1 Dim | (1) 6" and (1) 12" rods |
| Replacement Part 2 | PIVOT-103 |

CONTRACT

| | |
|-------------------|------|
| Contract Suitable | true |
|-------------------|------|