

# ASSEMBLY INSTRUCTIONS

## ITEM DESCRIPTION:

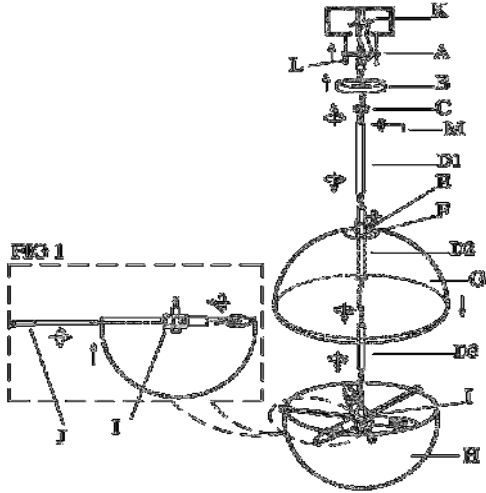
ITEM NO.: 49254 NAME: Underwood Pendant

MATERIAL TYPE: Glass FINISH: Opal

SOCKET TYPE: E12 SOCKET QTY: 3

BULB WATTAGE: 60 W/CFL 16W/LED 13W

VOLTAGE: 110-120 V ITEM NET WEIGHT: 16LBS



## TO ASSEMBLE:

1. Remove all parts from the package(s) carefully. Please be sure you have all parts indicated before you begin assembly.
2. Shut off the main electrical supply from the main fuse box/circuit breaker.
3. Remove the mounting plate(a)from the canopy(b)by turning collar loop (c) in a counterclockwise direction.
4. Screw the rod(d2) to the rod(d1), attach the top big glass (g) under the washer(f), pls adjust the washer (f) in a certain position by using the set screw(e) pls tight the hexangular screw in the side desire hole by allen wrench(m).
5. Screw the rod(d3) to the rod (d2), and then thread the socket assembly(i) to the rod(d3) till tight.
6. Insert 3 type b 60w bulbs (or suitable /cfl 16w or/led 10w bulbs, not included) in the sockets.do not exceed specified wattage.
7. Lift the bottom sml glass(i) to the same level as socket assembly, as shown in fig 1, pass 3pcs support pipe(j) carefully through the side hole on the glass and screw onto the center socket assembly (i) till tight.
8. Carefully inspect the pendant's fixture wires. the neutral fixture wire has very fine ridges molded into its plastic covering. the hot fixture wire has a smooth covering the bare silver wire is the grounded wire.
9. Attach the ground wire from the fixture to the ground junction box wire from the outlet (usually green) or bare wire). fasten each together with a plastic wire connector (k) and wrap the connection with electrical tape. if your outlet box does not have a ground wire, insert the green ground screw into the mounting plate (a) facing down, and wrap the fixture's bare ground wire around the ground screw. it is imperative that the outlet box in your home be properly grounded.
10. Connect the neutral fixture wire to the neutral junction box wire (usually white). fasten each together with a wire connector (k) and wrap the connection with electrical tape. be sure no strands are exposed.
11. Connect the hot fixture wire to the hot junction box wire (usually black). fasten each together with a plastic wire connector (k) and wrap the connection with electrical tape. be sure no wire strands are exposed. do not reverse the hot and neutral connections or safety will be compromised.
12. Gently tuck the wire connections neatly into the ceiling junction box.
13. Attach the mounting plate (a) with nipple to the ceiling outlet box using the enclosed mounting screws (l) and tighten screws with a screwdriver.
14. Push collar loop in canopy (b) and thread onto nipple in mounting plate (a) by turning in a clockwise
15. Screw rod (d1) to canopy (b), using hexangular screw and allen wrench(m) be sure all the hexangular screws are tight enough.
16. Restore power to junction box and test fixture. DO NOT EXCEED SPECIFIED WATTAGE OF PENDANT.

## PARTS INCLUDED:

A) Mounting Plate	Qty: 1	J) Support Pipe	Qty: 3
B) Canopy	Qty: 1		
C) Collar Loop	Qty: 1		
D) Rods	Qty: 3		
E) Set Screw	Qty: 1		
F) Washer	Qty: 1		
G) Top Glass	Qty: 1		
H) Bottom Glass	Qty: 1		
I) Socket Assembly	Qty: 1		

## HARDWARE INCLUDED:

Mounting Screws	2 Pcs	Canopy Screws	2 Pcs
Plastic Wire Connector	2 Pc	Allen Wrench	1 Pc
Green Ground Screw	1 Pc		

## TO INSTALL YOU WILL NEED:

- 2 people recommended
- Phillips Screwdriver

These instructions are provided for safety. It is very important are read carefully and completely before beginning installation.

We strongly suggest that all hard-wired fixtures must be installed by a professional electrician.

## CARE INSTRUCTIONS:

Wipe with a soft, dry cloth. To protect finish, avoid the use of chemicals and household cleaners.

For customer service questions call 1-800-338-2150

ARTERIOURS