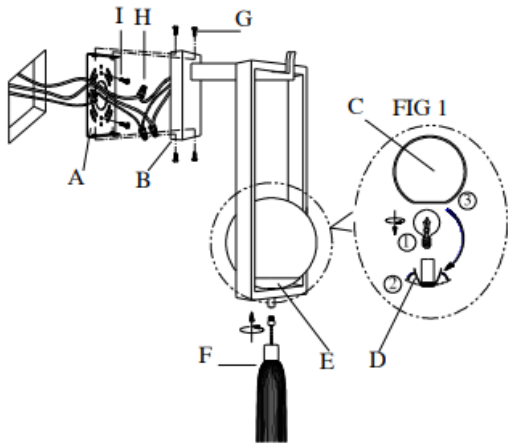


# ASSEMBLY INSTRUCTIONS

## ITEM DESCRIPTION:

ITEM NO.: DB49014	NAME: Trapeze Sconce
MATERIAL TYPE: Steel	FINISH: Aged Bronze
SOCKET TYPE: E12	SOCKET QTY: 1
BULB WATTAGE: 25W/7W CFL/5W LED	
VOLTAGE: 110-120V	ITEM NET WEIGHT: 3.5LBS



## TO ASSEMBLE:

1. Remove all packing contents and parts from the carton(s) carefully.
2. Please be sure you have all parts indicated before you begin assembly.
3. Turn off power to the junction box where the lamp will be installed.
4. Remove mounting plate (A) from the canopy (B) by loose 4 pcs plate screw (G).
5. Pull the electrical cord of "J Box" through the exit hole of the mounting plate (A).
6. As Fig 1, insert 1 type G 25W bulb (or suitable CFL 7W/LED 5W, not included) in the socket, then clamp the spring (D) by one hand then attach the glass sphere (C) to the metal cover (E) properly until secure.
7. Attach the ground wire from the fixture to the ground junction box wire from the outlet (usually green or bare wire). Fasten each together with a plastic wire connector (H) and wrap the connection with electrical tape. If your outlet box does not have a ground wire, insert the green ground screw into the mounting plate (A) facing down, and wrap the fixture's bare ground wire around the ground screw. IT IS IMPERATIVE THAT THE OUTLET BOX IN YOUR HOME BE PROPERLY GROUNDED.
8. Connect the neutral fixture to the neutral junction box wire (usually white). Fasten each together with a wire connector (H) and wrap the connection with electrical tape. Be sure no wire strands are exposed.
9. Connect the hot fixture wire to the hot junction box wire (usually black). Fasten each together with a plastic wire connector (H) and wrap the connection with electrical tape. Be sure no wire strands are exposed. DO NOT REVERSE HOT AND NEUTRAL CONNECTIONS OR SAFETY WILL BE COMPROMISED.
10. Gently tuck the wire connections neatly into the ceiling junction box.
11. Attach the mounting plate (A) to the outlet box using the mounting screws (I). Tighten with a screwdriver.
12. Attach the back plate (B) to the mounting plate (A) using the enclosed plate screws (G). Tighten with a screwdriver.
13. Screw the tassel (F) to the bottom of main frame until tight.

## PARTS INCLUDED:

(A) Mounting Plate	Qty: 1
(B) Back Plate	Qty: 1
(C) Glass Sphere	Qty: 1
(D) Spring	Qty: 1
(E) Metal Cover	Qty: 1
(F) Tassel	Qty: 1
(G) Plate Screw	Qty: 1

## HARDWARE INCLUDED:

(H) Plastic Wire Connector
(I) Mounting Screws

## TO INSTALL YOU WILL NEED:

- 2 people recommended
- Phillips Screwdriver

These instructions are provided for safety. It is very important that they are read carefully and completely before beginning installation.

We strongly suggest that all hard-wired fixtures must be installed by a professional electrician.

## CARE INSTRUCTIONS:

Wipe with a soft, dry cloth. To protect finish, avoid the use of chemicals and household cleaners.

For customer service questions call 1-800-338-2150

ARTERIO RS