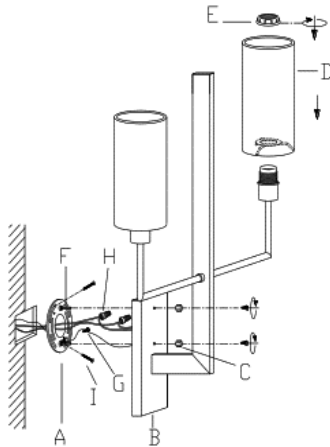


ASSEMBLY INSTRUCTIONS

ITEM DESCRIPTION:

ITEM NO.: DB49016	NAME: Blade Sconce
MATERIAL TYPE: Linen, Steel	FINISH: Aged Bronze, White
SOCKET TYPE: E26	SOCKET QTY: 2
BULB WATTAGE: 40W	
VOLTAGE: 110-120V	ITEM NET WEIGHT: 4LBS



PARTS INCLUDED:

Mounting Plate (A)	Qty: 1
Back Plate (B)	Qty: 1
Mounting Nut (C)	Qty: 2
Shade (D)	Qty: 2
Socket Ring (E)	Qty: 2
Pre-Mounted Screw (F)	Qty: 2
Green Ground Screw (G)	Qty: 1

HARDWARE INCLUDED:

Plastic Wire Connector (H)
Mounting Screws (I)

TO INSTALL YOU WILL NEED:

- 2 people recommended
- Phillips Screwdriver

These instructions are provided for safety. It is very important that they are read carefully and completely before beginning installation of this chandelier.

We strongly suggest that all hard-wired fixtures must be installed by a professional electrician.

For customer service questions call 1-800-338-2150



TO ASSEMBLE:

1. Remove all packing contents and parts from the carton(s) carefully.
2. Please be sure you have all parts indicated before you begin assembly.
3. Turn off power to the junction box where the lamp will be installed.
4. Remove the mounting plate (A) from the back plate (B) by loose 2PCS mounting nut (C).
5. Pull the electrical cord of "J Box" through the exit hole of the mounting plate (A).
6. Attach the ground wire from the fixture to the ground junction box wire from the outlet (usually green or bare wire). Fasten each together with a plastic wire connector (H) and wrap the connection with electrical tape. If your outlet box does not have a ground wire, insert the green ground screw (G) into the mounting plate (A) facing down, and wrap the fixture's bare ground wire around the ground screw. IT IS IMPERATIVE THAT THE OUTLET BOX IN YOUR HOME BE PROPERLY GROUNDED.
7. Connect the neutral fixture wire to the neutral junction box wire (usually white). Fasten each together with a wire connector (H) and wrap the connection with electrical tape. Be sure no strands are exposed.
8. Connect the hot fixture wire to the hot junction box wire (usually black). Fasten each together with a plastic wire connector (H) and wrap the connection with electrical tape. Be sure no strands are exposed. DO NOT REVERSE HOT AND NEUTRAL CONNECTIONS OR SAFETY WILL BE COMPROMISED.
9. Gently tuck the wire connections neatly into the ceiling junction box.
10. Attach the mounting plate (A) to the outlet box using the mounting screws (I). Tighten with screwdriver.
11. Attach the back plate (B) to the mounting plate (A). Be sure to pass the pre-mounted screw (F) through the hole and tighten with 2PCS mounting nut until secure.
12. Unscrew the socket ring (E) off the socket. Place the shade (D) on the socket and secure with socket ring (E) until tight. Repeat the same operation on the other shade.
13. Install 2 type A 40W bulbs (or suitable CFL 10W/LED 9W bulbs, not included) into threaded sockets. DO NOT EXCEED SPECIFIED WATTAGE.

CARE INSTRUCTIONS:

Wipe with a soft, dry cloth. To protect finish, avoid the use of chemicals and household cleaners.

ARTERIO RS