

# ASSEMBLY INSTRUCTIONS

## ITEM DESCRIPTION:

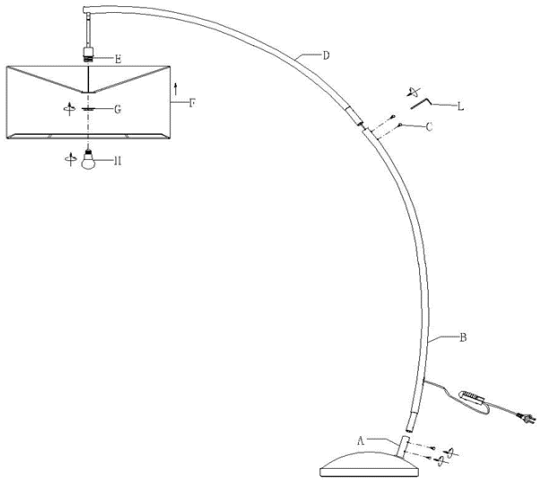
ITEM NO.: 79843      NAME: Naples Floor Lamp

MATERIAL TYPE: Steel      FINISH: Antique Brass

SOCKET TYPE: E26      SOCKET QTY: 1

BULB WATTAGE: 150WCFL 35W/LED 28W

VOLTAGE: 110-120 V      ITEM NET WEIGHT: 80LBS



## PARTS INCLUDED:

Lamp Base ( A )      Qty: 1

Arm 1 ( B )      Qty: 1

Screw ( C )      Qty: 6

Arm 2 ( D )      Qty: 1

Socket ( E )      Qty: 1

Shade ( F )      Qty: 1

Socket Ring ( G )      Qty: 1

Bulb ( H )      Qty: 1

Allen Wrench ( L )      Qty: 1

## PRE-ASSEMBLY:

- Remove all parts and hardware from box along with any plastic protecting packaging.
- Do not discard any contents until after assembly is complete to avoid accidentally discarding small parts or hardware.



## TO ASSEMBLE:

- Place the lamp and parts on a flat, stable surface.
- Insert arm 2 ( D ) into arm 1 ( B ) and fix with screw ( C ) by allen wrench ( L ) until tight.
- Insert arms ( B & D ) into the lamp base ( A ) and fix with screw ( C ) in a clockwise direction by allen wrench ( L ) until tight.
- Attach the fabric shade ( F ) into the socket ( E ) and fix it with a socket ring ( G ) in a clockwise direction to secure the shade.
- Insert 1 type A 150 W or CFL 35 W or LED 28 W bulb ( not included ) into the socket.

## CARE INSTRUCTIONS:

- Clean with soft, dry cloth.
- Always avoid the use of harsh chemicals or abrasive cleaners as they may cause damage to the lamp.

## IMPORTANT SAFETY INSTRUCTIONS:

For safety purposes, this lamp is equipped with a polarized plug (one blade is wider than the other) (For North America Customers Only). If the plug does not fit securely into your outlet, do not force it – contact a professional electrician. Use the plug with an extension cord only if it can be fully inserted into the cord's socket. Never alter the plug in any way. This instruction is provided for your safety. It is important that it is read carefully and completely before assembling the fixture.

To avoid risk of fire, do not exceed the recommended wattage.

## WARNING:

- To reduce the risk of fire, electrical shock, or personal injury, always turn off and unplug lamp and allow it to cool prior to replacing the bulb.
- Do not touch bulb when fixture is turned on. Do not look directly at lit bulb.
- Keep flammable materials away from lit bulb.

For customer service questions call 1-800-338-2150

ARTERIO RS