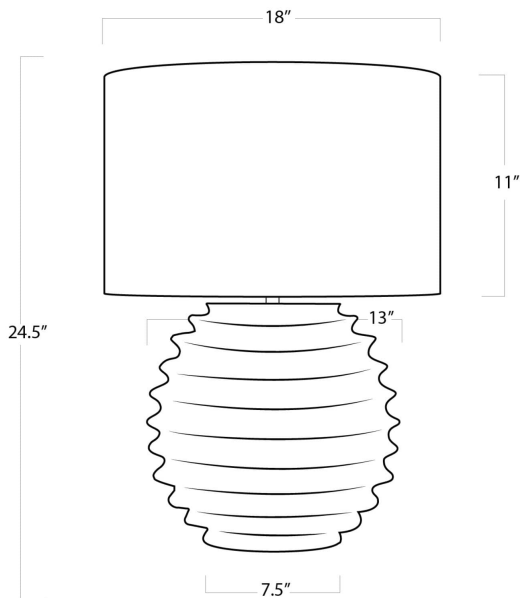


REGINA ANDREW

DETROIT

SPECIFICATION SHEET

Nabu Metal Table Lamp 13-1370



HEIGHT	24.5
WIDTH	18
DEPTH	18
SHADE DIMS	18 x 18 x 11
SHADE COLOR	Natural Linen
BULB QTY	1
BULB TYPE	A Type Medium Base (E26)
SOCKET	E26 3-Way Cast Turn Knob
WATTAGE	3-Way 150 Watt Max
WIRING TYPE	Standard
MATERIAL	Aluminum
FINISH	N/A
NOTES	8 ft of cord
FREIGHT ONLY	No