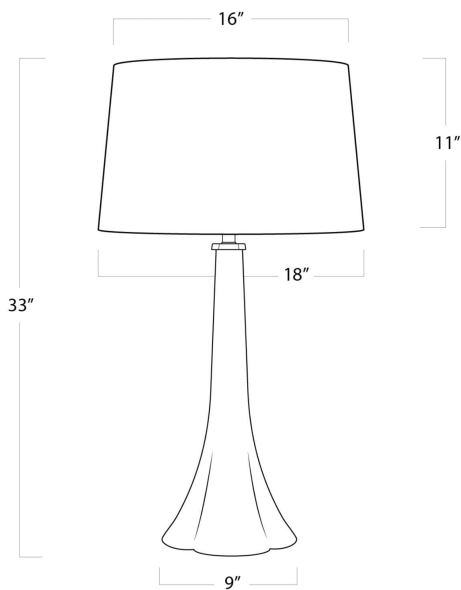


# REGINA ANDREW

DETROIT

## SPECIFICATION SHEET

### Nona Table Lamp 13-1380



|                     |                          |
|---------------------|--------------------------|
| <b>HEIGHT</b>       | 33                       |
| <b>WIDTH</b>        | 18                       |
| <b>DEPTH</b>        | 18                       |
| <b>SHADE DIMS</b>   | 16 x 18 x 11             |
| <b>SHADE COLOR</b>  | Natural Linen            |
| <b>BULB QTY</b>     | 1                        |
| <b>BULB TYPE</b>    | A Type Medium Base (E26) |
| <b>SOCKET</b>       | E26 3-Way Cast Turn Knob |
| <b>WATTAGE</b>      | 3-Way 150 Watt Max       |
| <b>WIRING TYPE</b>  | Standard                 |
| <b>MATERIAL</b>     | Rope                     |
| <b>FINISH</b>       | N/A                      |
| <b>NOTES</b>        | N/A                      |
| <b>FREIGHT ONLY</b> | No                       |