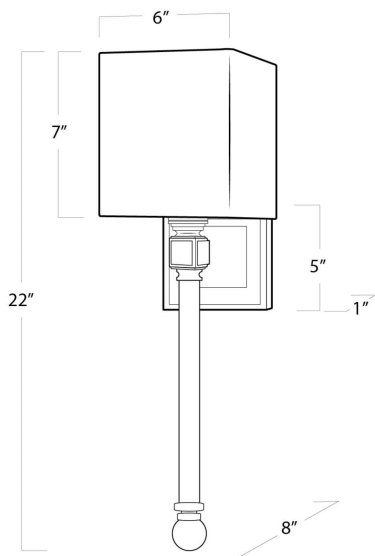


REGINA ANDREW

DETROIT

SPECIFICATION SHEET

Crystal Tail Sconce (Natural Brass) 15-1010NB



HEIGHT	22
WIDTH	6
DEPTH	8
SHADE DIMS	6 x 6; 6 x 6; 7
SHADE COLOR	Natural Linen
BULB QTY	1
BULB TYPE	G Type Medium Base (E26)
SOCKET	E26 Keyless. Uno w Face Plate Dimmer Switch
WATTAGE	60 Watt Max
WIRING TYPE	Hard Wire
BACKPLATE	5 x 5 x 1
JUNCTION BOX	9 in from top, 13 in from bottom, 3 in from side
MATERIAL	Steel
FINISH	N/A
NOTES	N/A
FREIGHT ONLY	No

