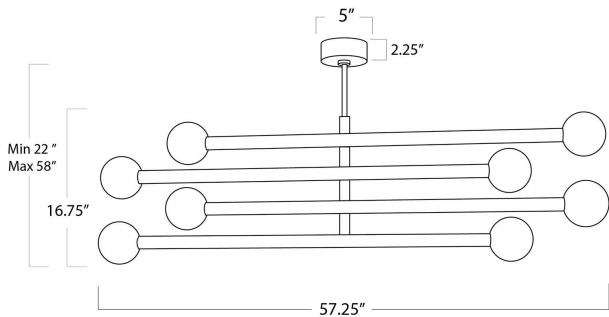


# REGINA ANDREW

DETROIT

## SPECIFICATION SHEET

### Beaubien Chandelier 16-1358NB



<b>HEIGHT</b>	22
<b>WIDTH</b>	57.25
<b>DEPTH</b>	4.75
<b>SHADE DIMS</b>	N/A
<b>SHADE COLOR</b>	N/A
<b>BULB QTY</b>	8
<b>BULB TYPE</b>	G9 LED
<b>SOCKET</b>	G 9
<b>WATTAGE</b>	4 Watt Max
<b>WIRING TYPE</b>	Hard Wire
<b>MATERIAL</b>	Steel
<b>FINISH</b>	Natural Brass
<b>NOTES</b>	N/A
<b>FREIGHT ONLY</b>	No