

LOMITA
52022
 FLUSH MOUNT

PROJECT



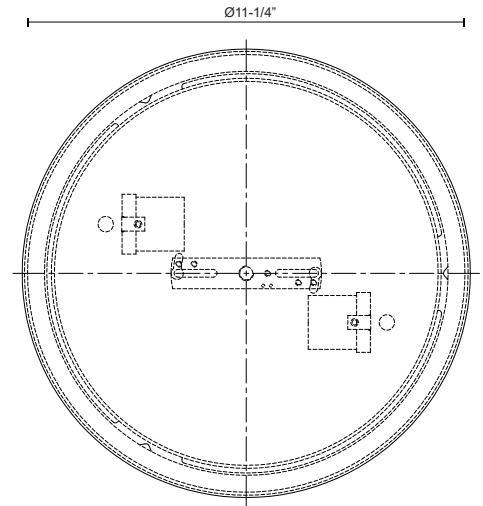
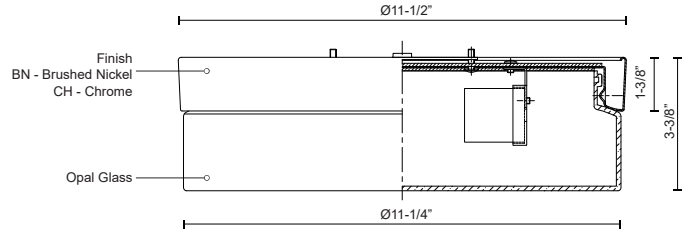
52022BN
 Brushed Nickel



52022CH
 Chrome

DESCRIPTION

Two lamp flush mount ceiling fixture with white round opal glass and your choice brushed nickel or chrome metal finishes.



SPECIFICATION DETAILS

* For custom options, consult factory for details.

Fixture Dimensions	D11-1/2" x H3-3/8"
Lamp Type	Incandescent, A19, Medium Base
Wattage	2 x 40W
Voltage	120V
Glass Details	Opal Glass
Location	Dry
Bulbs Included	No
Warranty	5 Years

KUZCO

19054 28TH AVENUE
 SURREY - BC V3Z 6M3
 CANADA

WWW.KUZCOLIGHTING.COM

COMMENT

