

**REGENT**  
**PD56019**  
**PENDANT**

PROJECT



**DESCRIPTION**

The Regent collection offers a refined blend of timeless design and modern color options, featuring a curated palette of neutral undertones. Its classic wide dome shade, paired with a softly glowing opal diffuser, exudes elegance while maintaining a fresh, contemporary vibe. Regent's versatile style adds a subtle yet impactful pop of color to any room.

- E26 or equivalent bulb required, not included
- Designed for kitchen, bedroom, dining room, and beyond
- Modern, Contemporary Style with Decorative Details
- Installation hardware included
- Easy assembly instructions included in box
- Sloped ceiling adaptable, see specs for details



PD56019-BGD  
Burgundy



PD56019-CER  
Cerulean



PD56019-PEC  
Peach



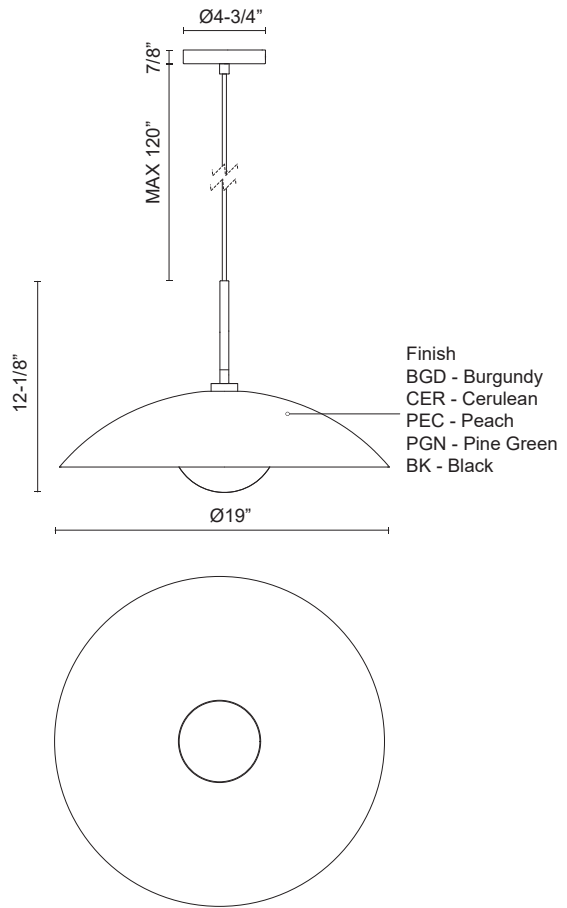
PD56019-PGN  
Pine Green



PD56019-BK  
Black

**SPECIFICATION DETAILS**

Fixture Dimensions	D19" x H12-1/8"
Lamp Type	Incandescent, A19, Medium Base
Max Wattage	1 x 60W
Bulbs Included	No
Voltage	120V
Wire Length	120" Max
Wire Type	Color Matching Braided Wire
Minimum Hang Height	15"
Location	Dry
Illumination Direction	Down
Sloped Ceiling Adaptable	Yes
Adjustable	Yes
Paint Finish	BK01; WH01
Material	Steel + Glass
Canopy Dimensions	D4-3/4" x H7/8"
Glass Details	Matte Opal Glass
Shade Details	Steel Shade



\* For custom options, consult factory for details.  
\* For warranty information, please visit [www.kuzcolighting.com/warranty](http://www.kuzcolighting.com/warranty)



CANADA: 19054 28TH AVENUE - SURREY, BC V3Z 6M3  
USA: 3035 E. LONE MOUNTAIN ROAD - LAS VEGAS, NV 89081

[WWW.KUZCOLIGHTING.COM](http://WWW.KUZCOLIGHTING.COM)

© 2025 KUZCO LIGHTING. ALL RIGHTS RESERVED.

**COMMENT**

