

**CAMEO**  
**401431-LED**  
**PENDANTS**

PROJECT



401431BN-LED  
Brushed Nickel



401431BK-LED  
Black



401431CH-LED  
Chrome



401431WH-LED  
White

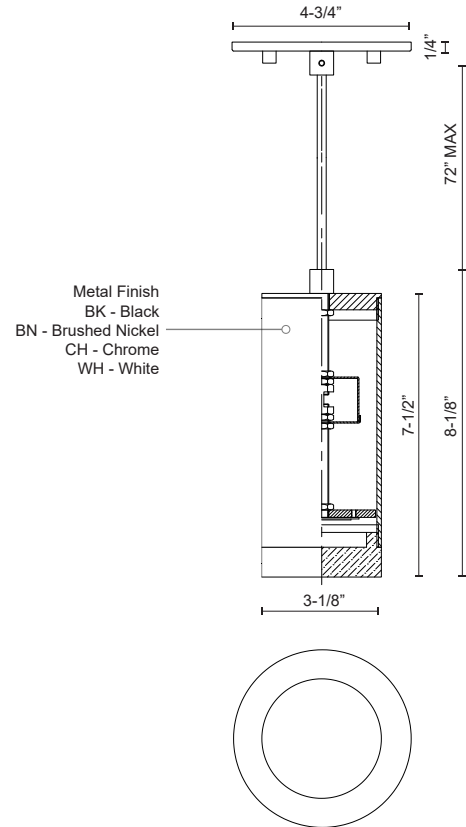
**SPECIFICATION DETAILS**

\* For custom options, consult factory for details.

<b>Fixture Dimensions</b>	D3-1/8" x H7-1/2"
<b>Light Source</b>	AC LED Module
<b>Wattage</b>	10W
<b>Total Lumens</b>	600lm
<b>Delivered Lumens</b>	CH-388lm
<b>Voltage</b>	120V
<b>Color Temperature</b>	3000K
<b>CRI (Ra)</b>	90CRI
<b>Optional Color Temps</b>	2700K - 5000K Available, Minimum Order Quantities Apply
<b>LED Rated Life</b>	50,000 hours
<b>Dimming</b>	100% - 10%, ELV Dimmer (Not Included)
<b>Diffuser Details</b>	Frosted acrylic diffuser
<b>Adjustable</b>	Yes
<b>Wire Length</b>	72" Max
<b>Wire Type</b>	Clear SVT Cord
<b>Location</b>	Dry
<b>Warranty</b>	5 Years
<b>Canopy Dimensions</b>	D4-3/4" x H1/4"

**DESCRIPTION**

Single LED cylinder shaped pendant with clear crystal disc. Equipped with our powerful 120V AC LED technology, with metal details in white, black, brushed nickel or chrome finish. Round canopy matches the selected finish.



**KUZCO**

19054 28TH AVENUE  
 SURREY - BC V3Z 6M3  
 CANADA

WWW.KUZCOLIGHTING.COM

COMMENT

