

**ARCTIC  
EP68420  
PENDANTS**

PROJECT



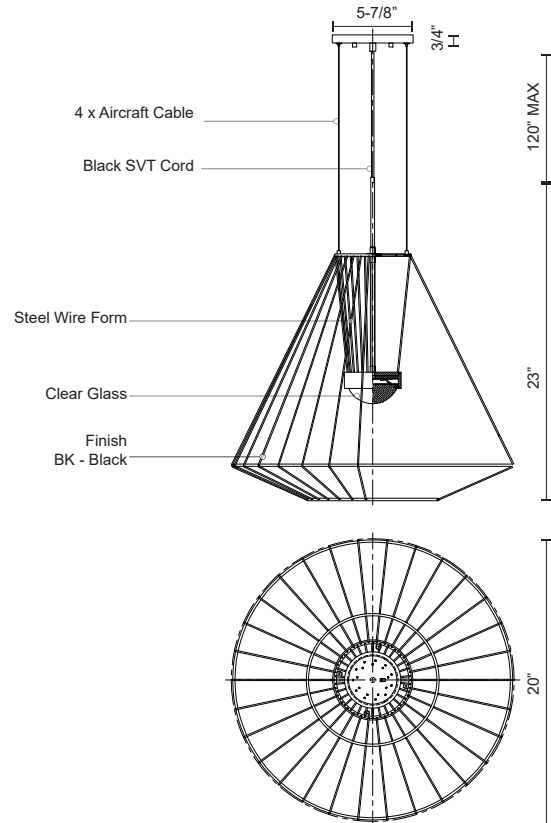
**DESCRIPTION**

The Arctic collection uses basic wire rod as structure and aesthetic form. The seemingly continuous lines interconnect, creating a complex framework that encapsulates and emphasizes the light source. A substantial glass optic is the focal point of the lamp, augmented by the concentric rings of the lightweight latticework design.

**SPECIFICATION DETAILS**

\* For custom options, consult factory for details.

<b>Fixture Dimensions</b>	D20" x H23"
<b>Light Source</b>	AC LED Module
<b>Wattage</b>	26W
<b>Total Lumens</b>	2500lm
<b>Delivered Lumens</b>	514lm*
<b>Voltage</b>	120V
<b>Color Temperature</b>	3000K
<b>CRI (Ra)</b>	90CRI
<b>Optional Color Temps</b>	2700K - 5000K Available, Minimum Order Quantities Apply
<b>LED Rated Life</b>	50,000 hours
<b>Dimming</b>	100% - 10%, ELV Dimmer (Not Included)
<b>Glass Details</b>	Clear Convex Glass Lens
<b>Adjustable</b>	Yes
<b>Wire Length</b>	120" Max
<b>Wire Type</b>	Black SVT Cord, Aircraft Cable
<b>Location</b>	Wet
<b>Warranty</b>	5 Years
<b>Canopy Dimensions</b>	D5-7/8" x H3/4"
<b>Finish Option(s)</b>	Black



**KUZCO**

19054 28TH AVENUE  
SURREY - BC V3Z 6M3  
CANADA

WWW.KUZCOLIGHTING.COM

COMMENT

