

Pablo®

LINK

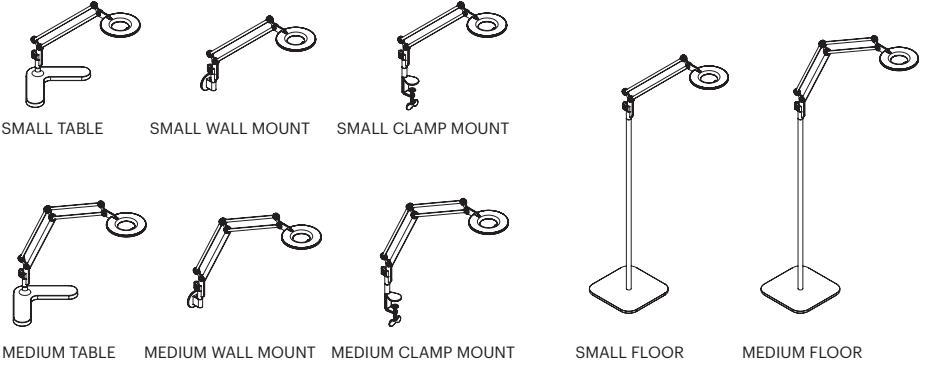
ASSEMBLY & INSTALLATION INSTRUCTIONS

INFO@PABLODESIGNS.COM  
888 MARIN STREET  
SAN FRANCISCO, CA  
94124

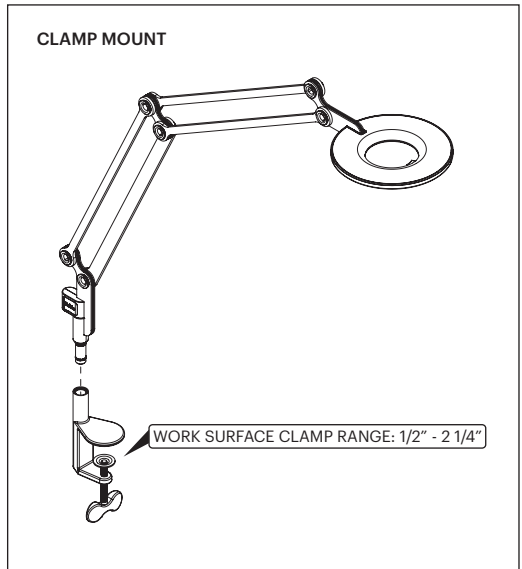
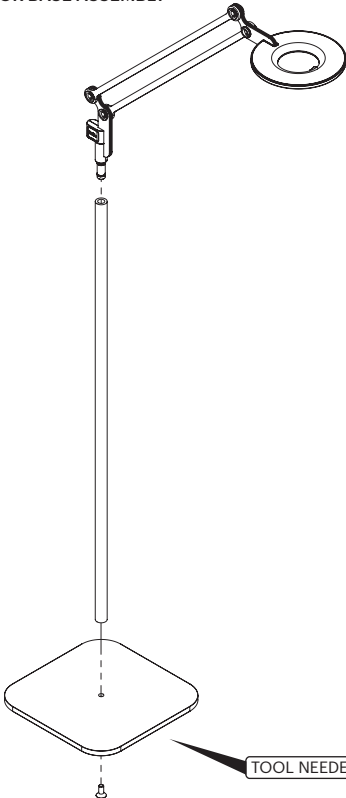
PABLODESIGNS.COM



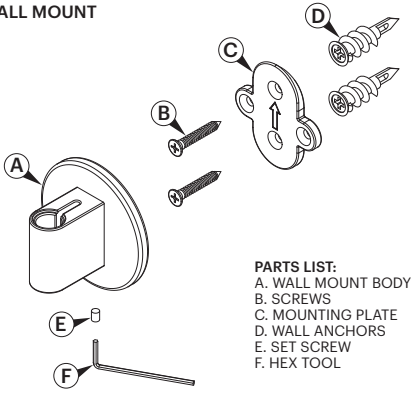
LINK MODELS



FLOOR BASE ASSEMBLY



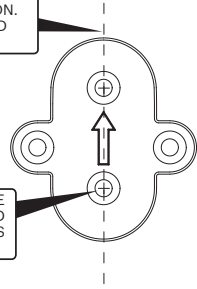
WALL MOUNT



1 USE THE MOUNTING PLATE AS A TEMPLATE FOR MARKING THE WALL ANCHOR LOCATION.

PLACE THE MOUNTING PLATE IN THE DESIRED LOCATION. MAKE SURE IT IS ALIGNED VERTICALLY.

MARK THE CENTER OF THE TWO VERTICALLY ALIGNED HOLES. THE OTHER HOLES WILL NOT BE USED

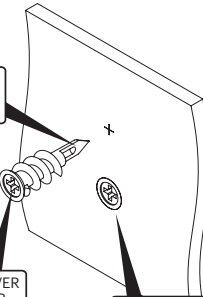


2 REMOVE THE PLATE FROM THE WALL AND INSTALL BOTH WALL ANCHORS.

TAP THE UNTHREADED TIP OF THE ANCHOR INTO THE WALL.

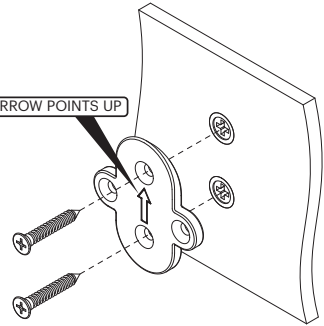
USE A PHILLIPS SCREWDRIVER TO COMPLETE THE ANCHOR INSTALLATION.

THIS SURFACE SHOULD BE FLUSH WITH THE WALL.

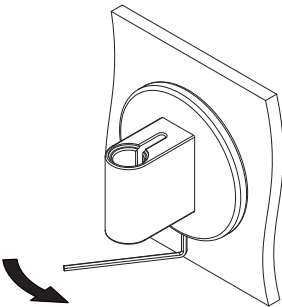


3 SCREW THE MOUNTING PLATE TO THE ANCHORS WITH THE SCREWS PROVIDED.

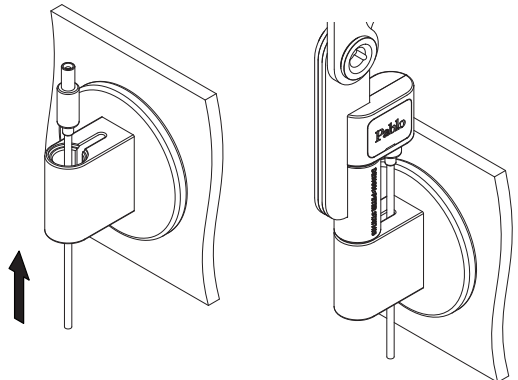
THIS ARROW POINTS UP



4 HANG THE WALL MOUNT BODY ON THE MOUNTING PLATE AND TIGHTEN THE SET SCREW.

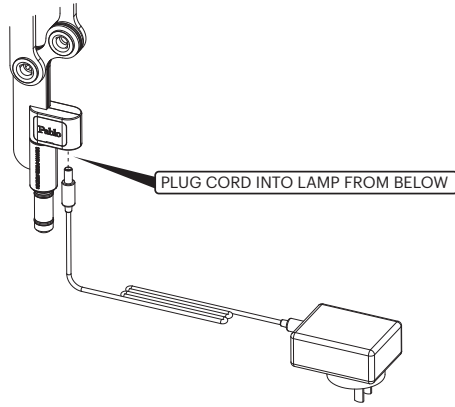


5 ROUTE THE POWER CABLE UP THROUGH THE HOLE AND PLUG INTO LAMP BEFORE INSERTING THE LAMP INTO THE MOUNT.



IMPORTANT: SET SCREW MUST BE TIGHT

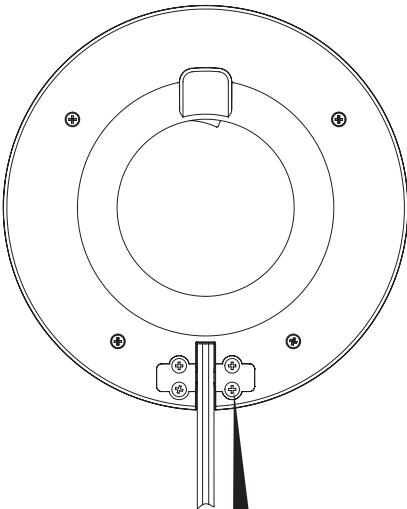
POWER SUPPLY



USE ONLY PABLO POWER SUPPLY PROVIDED

HEAD TENSION ADJUSTMENT

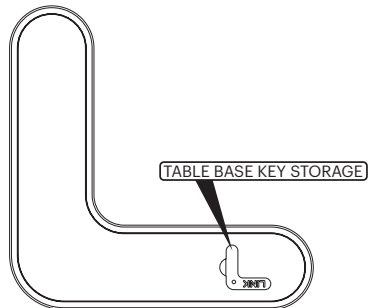
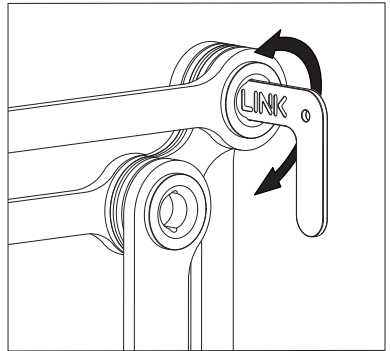
TOOL NEEDED: #1 PHILLIPS SCREWDRIIVER



THESE 4 SCREWS MAY BE ADJUSTED IF LAMP  
HEAD WILL NOT STAY IN DESIRED POSITION

ARM TENSION ADJUSTMENT

TOOL NEEDED: KEY PROVIDED UNDER BASE



CARE INSTRUCTIONS

WIPE CLEAN WITH A SOFT DAMP CLOTH.  
AVOID AMMONIA-BASED CLEANERS.

KEY SHIPS WITH ALL MOUNTING OPTIONS

INSTALLATION OF LINK USB

