

# INSTALLATION INSTRUCTION

## LED Step and Wall Lights - Trimless

WL-LED100TR

WAC LIGHTING  
Responsible Lighting®

### WARNING

IMPORTANT: NEVER attempt any work without shutting off the electricity.

- Read all instructions before installing.
- System is intended for installation by a qualified electrician in accordance with the National Electric Code and local regulations. Consult with local inspector to ensure compliance.
- To reduce the risk of fire, electrical shock and injuries to persons, turn off power at main switch before installing or modifying the system.
- Retain instructions for future maintenance reference.
- Not complying with instructions could result in failure of the fixtures and voiding of the warranty.
- This fixture is intended to be installed in dry, indoor locations only!

### INSTALLATION INSTRUCTIONS:

Junction box: 2" x 4" boxes to have minimum inside dimensions of 3"W x 2"H x 2"D in order to accommodate fixtures.

Note: Actual depth of box to be determined in accordance with the NEC and local ordinances.

1. Install 2"x4" junction box.
2. Connect the fixture wires to the junction box wires as follows: Black fixture wire to black (Hot) J-box wire, white fixture wire to white (Neutral) J-box wire, and green fixture wire to Ground. (See Fig.1)  
**Note: Multiple fixtures (up to 200) can be wired together in parallel: Hot to hot, and neutral to neutral.**
3. Place all wiring and connectors back in junction box and install the fixture. (See Fig. 2)
4. Secure fixture to J-box using (2) 8-32 flat head screws (J-box by others, screws by WAC) as shown in Fig.2.
5. Spackle in fixture and smooth/sand spackle so that fixture is level with the rest of the wall. (See Fig. 3)
6. Paint wall and fixture with desired color, leaving only the "ramp" painted white. (See Fig. 4)

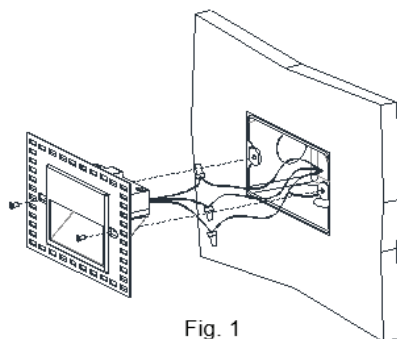


Fig. 1

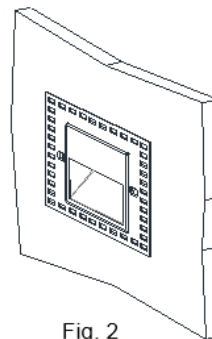


Fig. 2

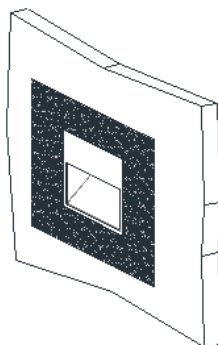


Fig. 3

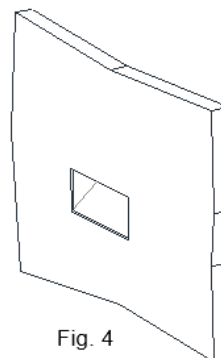


Fig. 4

WAC Lighting  
www.waclighting.com  
Phone (800) 526.2588 • Fax (800) 526.2585

Headquarters/Eastern Distribution Center  
44 Harbor Park Drive • Port Washington, NY 11050  
Phone (516) 515.5000 • Fax (516) 515.5050

Western Distribution Center  
1750 Archibald Ave • Ontario, CA 91761  
Phone (800) 526.2588 • Fax (800) 526.2585