

INSTALLATION INSTRUCTION  
**2.5" Low Voltage - Metal Trim**  
HR-836

WAC LIGHTING  
Responsible Lighting®

**SAFETY INSTRUCTION**

IMPORTANT: NEVER attempt any work without shutting off the electricity.

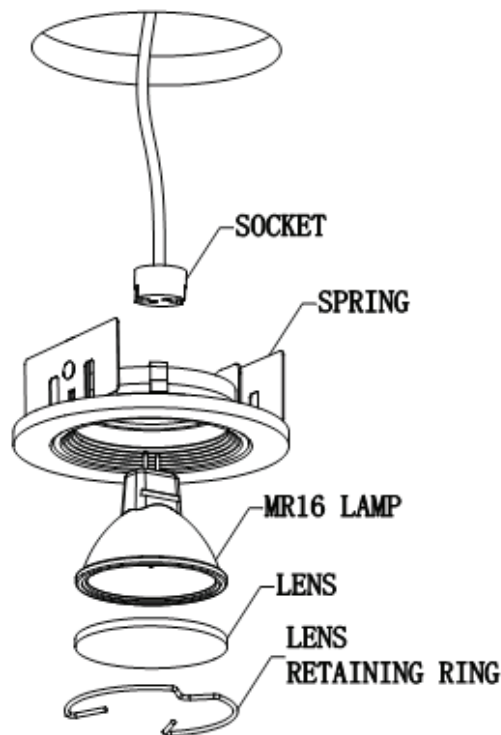
- Read all instructions before installing.
- This product must be installed in accordance with the applicable installation code by a person familiar with the construction and operation of the product and the hazards involved.
- System is intended for installation in accordance with National Electric Code, and local regulations.
- Consult with local inspector to assure compliance.
- To reduce the risk of fire, electrical shock and injuries to persons, turn off power at main switch before installing or modifying the system.
- Warning: (Risk of fire) do not install insulation within 3 inches of fixture sides, or junction box, or in a manner to entrap heat.
- Retain instructions for future maintenance reference.

**OVERVIEW**

Trims fit housings from the HR-800 series. Housing type and trim selection will determine maximum wattage; consult catalog or spec sheet for compatibility

**INSTALLING LAMP AND TRIM:**

1. From the front of trim, insert the MR16 lamp followed by the clear glass lens, and secure with the lens retaining ring.
2. Push socket on to lamp pins.
3. Pressing the springs into the hole, until the trim ring is flush against the ceiling.



WAC Lighting  
www.waclighting.com  
Phone (800) 526.2588 • Fax (800) 526.2585

Headquarters/Eastern Distribution Center  
44 Harbor Park Drive • Port Washington, NY 11050  
Phone (516) 515.5000 • Fax (516) 515.5050

Western Distribution Center  
1750 Archibald Ave • Ontario, CA 91761  
Phone (800) 526.2588 • Fax (800) 526.2585