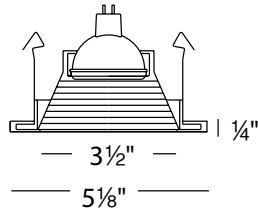


HR-D411

4" Low Voltage Downlight Trim



Fixture Type:

Catalog Number:

Project:

Location:

PRODUCT DESCRIPTION

Recessed adjustable trim with interior step baffle.
For use with HR-8400 series low voltage housings.

FEATURES

- Step baffle, 35° adjustment from vertical recessed downlight
- Center lamp holder allows lamp to be tilted up to 35° from vertical
- The supplied clear glass lens can be replaced with one lens accessory
- Handles surfaces up to 3/4" thick
- 5 year WAC Lighting product warranty

ORDER NUMBER

Model #	Finish	Baffle/Trim
HR-D411	WT/WT	White/White

Model #	Finish
HR-D411	WT/WT

Example: HR-D411-WT/WT

SPECIFICATIONS

Construction: Durable die-cast aluminum construction. Three heavy gauge retention clips firmly hold trim to housing.

Lamp: Utilizes LED or Halogen 12V MR16 lamps (order separately). 50W or 75W maximum, see individual housing for wattage rating.







Finish: Abrasion resistant powder coat painted or plated metal finish. Available in White baffle with White trim (WT/WT).

Standards: UL & CUL Listed, Suitable for damp locations

ACCESSORIES

LENS-16- Color Lens	AMB Amber	LENS-16-UVF UV Filter
	BLU Blue	LENS-16-FR Frosted Lens
	GRN Green	LENS-16-SPR Spread Lens
	RED Red	LENS-16-BEL Beam Elongating Lens
	YEL Yellow	LENS-16-HCL Honeycomb Louver

4" Low Voltage Housings (Required)

	Model	Voltage	Transformer	Output	Installation	Rating
	HR-8402E	120V	Electronic	12V, 50W max	New Construction	Non-IC
	HR-8402HL*	120V	Magnetic	12V, 75W max	New Construction	Non-IC
	HR-8403	H 120V HF 277V	Magnetic	12V, 50W max	New Construction	IC Airtight
	HR-8402	H 120V HF 277V	Magnetic	12V, 50W max	New Construction	Non-IC
	HR-8401E	120V	Electronic	12V, 50W max	Remodel	Non-IC
	HR-8401	H 120V HF 277V	Magnetic	12V, 50W max	Remodel	Non-IC

*Not Compatible with HR-D418 or HR-D418-S Non-IC housings require 3" of clearance from insulation on all sides.

Accommodates ceiling thickness of up to 3/4" for remodel & 3/4" for new construction.

WAC Lighting

www.waclighting.com

Phone (800) 526.2588 • Fax (800) 526.2585

Headquarters/Eastern Distribution Center

44 Harbor Park Drive • Port Washington, NY 11050

Phone (516) 515.5000 • Fax (516) 515.5050

Western Distribution Center

1750 Archibald Avenue • Ontario, CA 91760

Phone (800) 526.2588 • Fax (800) 526.2585