

SAFETY INSTRUCTION

- Read all instructions before installing.
- Always turn off power at fuse box prior to installation to prevent electrical shock.
- Intended for outdoor use, damp and wet locations are permitted.
- For installation by a qualified electrician.
- System is intended for installation in accordance with National Electric Code, and local regulations.

INVISILED® PRO OUTDOOR Tape Lights have no polarity for connection.

- Determine the installation area and material, based on different mounting materials (wood or concrete), different mounting accessories will be needed.

WIRING AND INSTALLATION:

Please refer to installation diagrams shown on next page.

1. Determine the number of separately powered runs needed. Calculate the number of power supplies.

Min. / max. run length	1ft / 28ft per run
Current	160 mA/ft
Power consumption	3.6 Watts/ft

2. Measure the length of each run and round it off to the nearest 1 foot interval.
Determine the necessary quantities of 1ft, 5ft, and 10ft sections.
3. Count the number turns in the runs in order to determine the number of X, and Y connectors.
4. If making lateral turns at angles other than 90°, determine the number of joiner cables necessary to make the lateral adjustment.
5. Connect to incoming 120V supply.

Hard Wire

- Power supply is IP67 rated for damp and wet locations. The power supply should be installed accessible for service
 - Connect building wires to like color power supply wires with wire nuts in the outdoor junction box. Building ground wire maybe green or un-insulated, and attaches to green wire from power supply box.
6. Connect the output female connector of the power supply with the male connector of the outdoor InvisiLED tape or lead wires, to form straight lines or turns around the installation surface.
 7. End caps of each InvisiLED can be connected together to form a straight run.
 8. pro outdoor LED sections may be cut at every 6 inch intervals.
 9. Terminate each separately powered run with an end cap. Install the end cap with silicon for water tight.

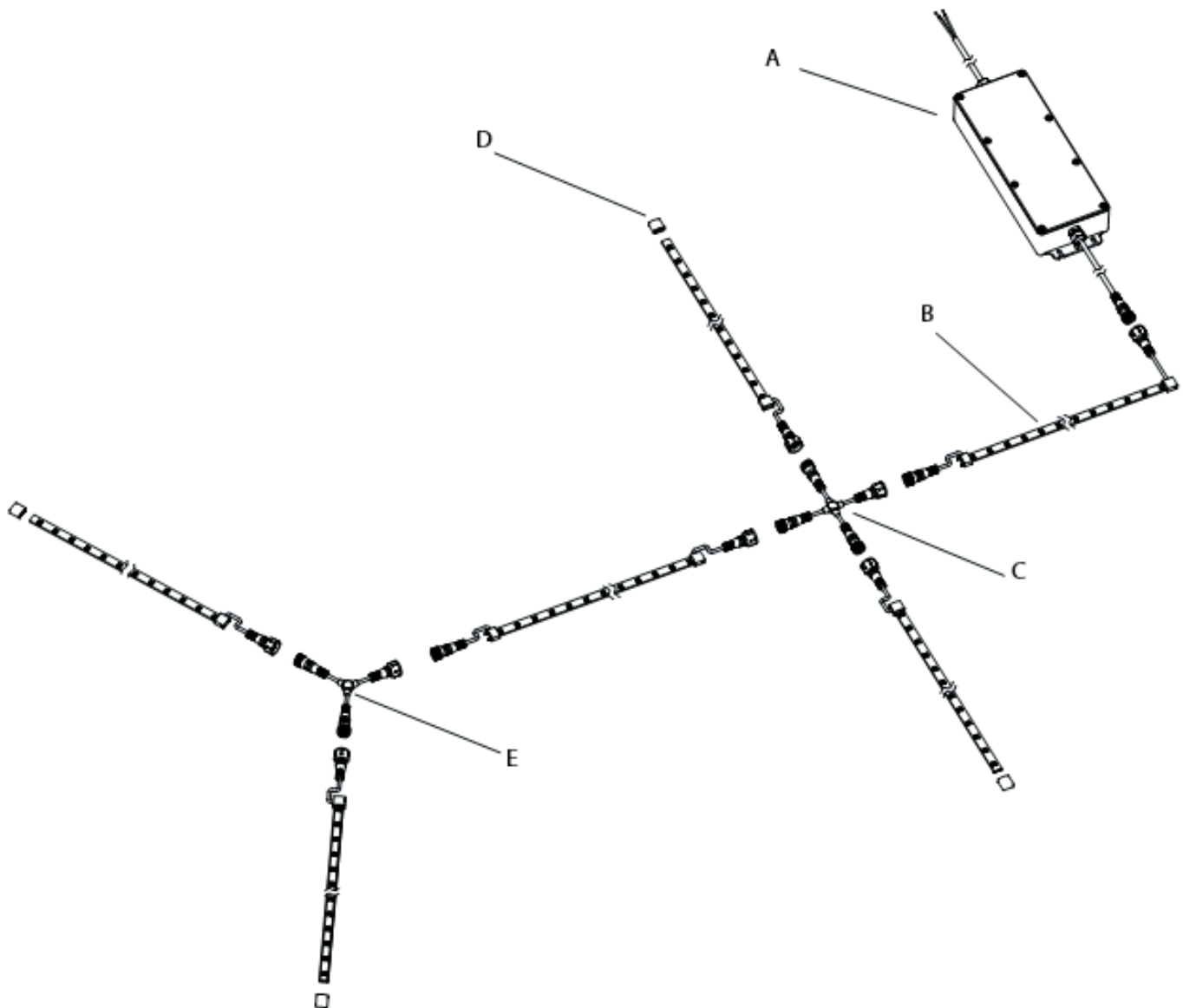
INSTALLATION INSTRUCTION
InvisiLED® PRO Outdoor 24V
LED-TO2435

WAC LIGHTING
Responsible Lighting®

Sample layout

A EN-O24100-RB2-T	Remote power supply hard wire
B LED-TO2435-1	1ft Tape Section
C LED-TO24-X	X Connector
D LED-TO24-EC	End Cap
E LED-TO24-Y	Y Connector

HARD WIRE



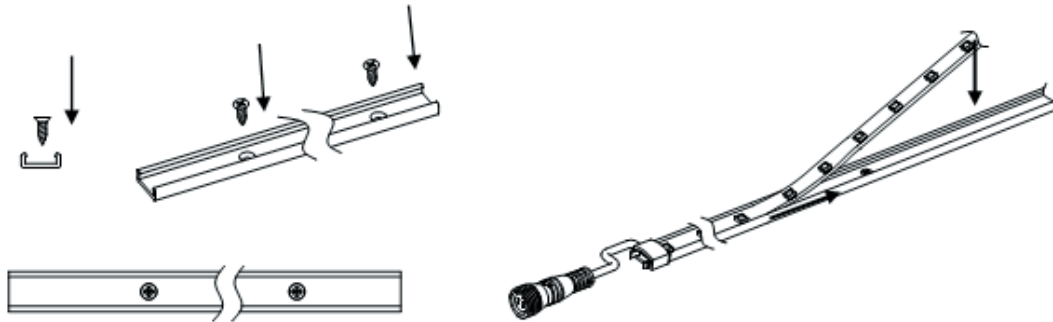
waclighting.com
Phone (800) 526.2588
Fax (800) 526.2585

Headquarters/Eastern Factory
44 Harbor Park Drive
Port Washington, NY 11050

Central Factory
1600 Distribution Ct
Lithia Springs, GA 30122

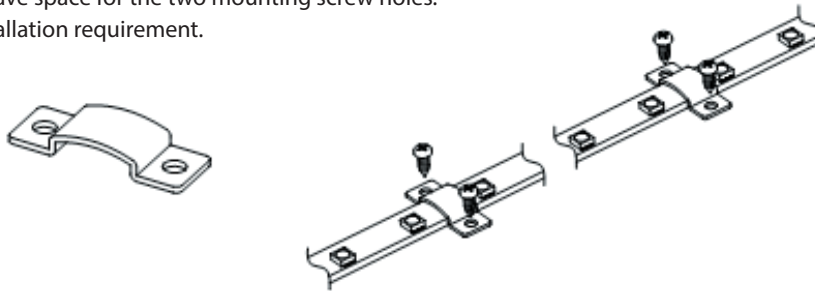
Western Factory
1750 Archibald Avenue
Ontario, CA 91760

A. USING INSTALLATION CHANNEL - flat surface, exaple: wood



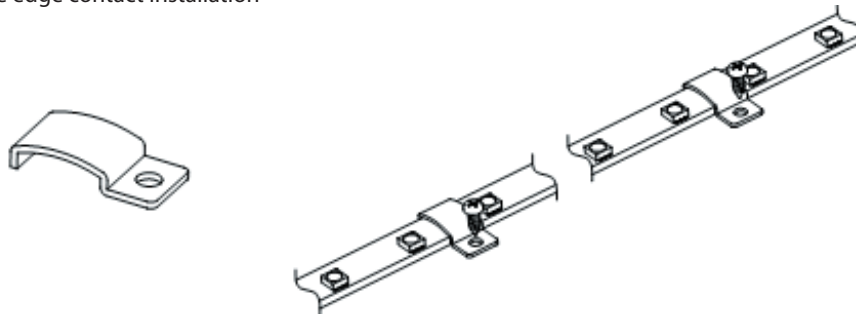
B. USING CLIP 1

- Suitable for non-flat installation surface, wood or concrete.
- Installation surface have space for the two mounting screw holes.
- No edge contact installation requirement.



C. USING CLIP 2

- Suitable for non-flat installation surface, wood or concrete material applicable
- Suitable for single tape edge contact installation



D. Using Clip 3

- Suitable for non-flat installation surface, wood or concrete material applicable
- Suitable for double tape edge contact installation.

