

# TRIMMED HOUSING

4.5" Volta

# WAC LIGHTING

Responsible Lighting®

## SPECIFICATIONS

- Input:** Universal 120 - 277V AC 50/60 Hz
- Standards:** ETL & cETL, Chicago Plenum, IC-rated, Airtight (see below for list)
- Dimming:** Electronic Low Voltage (ELV): 100%-5%  
0-10V: 100%-0%  
Lutron Hi-Lume 1% Fade-to-Black option
- Emergency:** EM fixtures provided with integral Emergency battery back up with 24" lead wire remote test switch. Provides at least 90 minutes of 5W illumination during emergency operation.
- Mounting:** New construction housings included with universal mounting brackets and hanger bars (Min. 14½" & Max. 24½")  
Ceiling cut out (Round): Ø 5 1/8"  
Ceiling cut out (Square): 5 1/8" x 5 1/8"  
See next page for ceiling thickness information

Fixture Type:

Catalog Number:

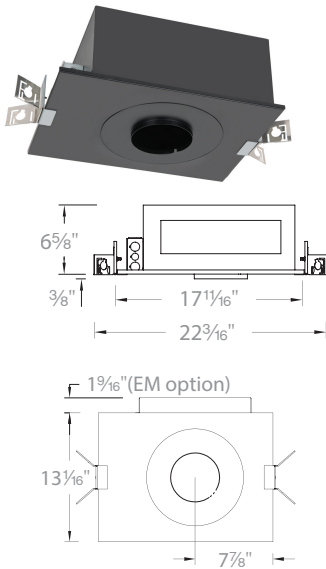
Project: \_\_\_\_\_

Location: \_\_\_\_\_

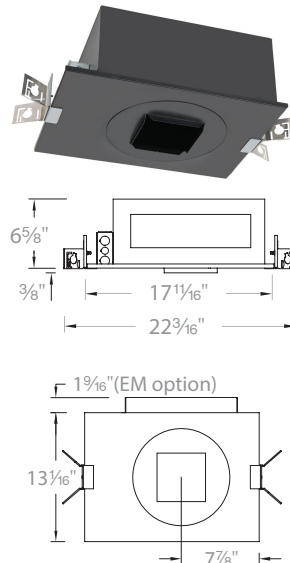
**Construction:** 20 Gauge cold rolled steel

**Warranty:** 5 year WAC Lighting product warranty

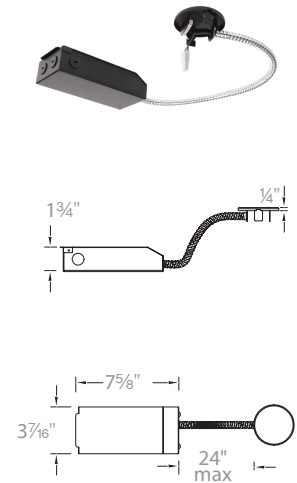
Round New Construction



Square New Construction



Remodel



## HOUSINGS

	Model		Power*	S	N, F, W, A	Rating	Driver	Emergency Backup	Compatible Trims	
Round New Construction	<b>R4RNT</b>	Airtight	15	10W	15W	IC rated	DEFAULT	ELV, 0-10V	EM	R4RD2T
	<b>R4RCT</b>	Airtight, Chicago Plenum	25	15W	23W	IC rated	L1	Lutron		R4RD1T
			36	22W	34W	Non-IC		Hi-Lume 1%		R4RAT R4RWT
Square New Construction	<b>R4SNT</b>	Airtight	15	10W	15W	IC rated	DEFAULT	ELV, 0-10V	EM	R4SD2T
	<b>R4SCT</b>	Airtight, Chicago Plenum	25	15W	23W	IC rated	L1	Lutron		R4SD1T
			36	22W	34W	Non-IC		Hi-Lume 1%		R4SAT R4SWT
Remodel	<b>R4BRT</b>	Round or Square	15	10W	15W	Non-IC	DEFAULT	ELV, 0-10V	N/A	R4RD2T, R4SD2T R4RD1T, R4SD1T R4RAT, R4SAT R4RWT, R4SWT

\*Power consumption depends on beam angle of the trim.

**R4** \_\_\_\_\_ - \_\_\_\_\_

Example: **R4RNT-15** or **R4RNT-15EM** (with Emergency backup battery)

### Field Replaceable Driver

- D-R4N-15** Driver for 15W New Construction Hsg
- D-R4N-25** Driver for 23W New Construction Hsg
- D-R4N-36** Driver for 34W New Construction Hsg

wacighting.com  
Phone (800) 526.2588  
Fax (800) 526.2585

Headquarters/Eastern Distribution Center  
44 Harbor Park Drive  
Port Washington, NY 11050

Central Distribution Center  
1600 Distribution Ct  
Lithia Springs, GA 30122

Western Distribution Center  
1750 Archibald Avenue  
Ontario, CA 91760

# TRIMMED HOUSING

4.5" Volta

# WAC LIGHTING

Responsible Lighting®

## CEILING THICKNESS BY TRIM

Trim Model	Trim Description	Ceiling Thickness		
		1/2"	1"	1 1/2"
<b>R4RD2T</b> <b>R4SD2T</b>	<i>Downlight</i>	Yes	Yes	Yes
<b>R4RD1T</b> <b>R4SD1T</b>	<i>Shallow Regressed Downlight</i>	Yes	Yes	Yes
<b>R4RAT</b> <b>R4SAT</b>	<i>Adjustable</i>	Yes, to 45°	Yes, to 45°	Yes, to 35°
<b>R4RWT</b> <b>R4SWT</b>	<i>Wall Wash</i>	Yes	Yes	No

waclighting.com  
Phone (800) 526.2588  
Fax (800) 526.2585

Headquarters/Eastern Distribution Center  
44 Harbor Park Drive  
Port Washington, NY 11050

Central Distribution Center  
1600 Distribution Ct  
Lithia Springs, GA 30122

Western Distribution Center  
1750 Archibald Avenue  
Ontario, CA 91760