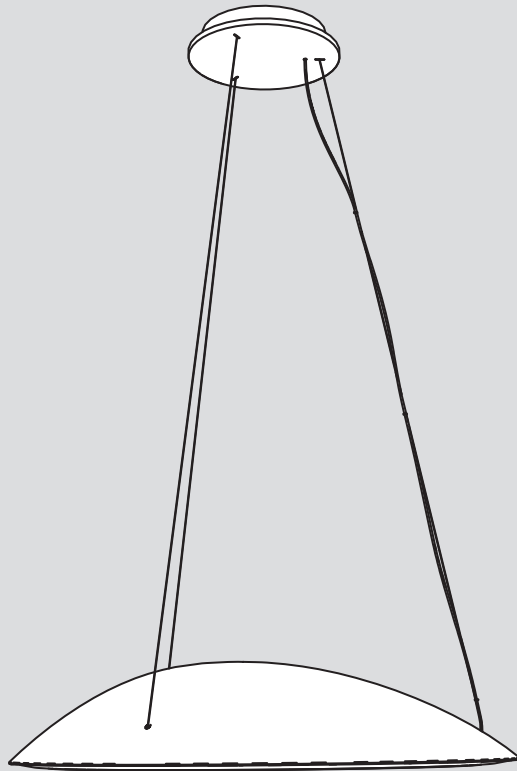


Artemide®

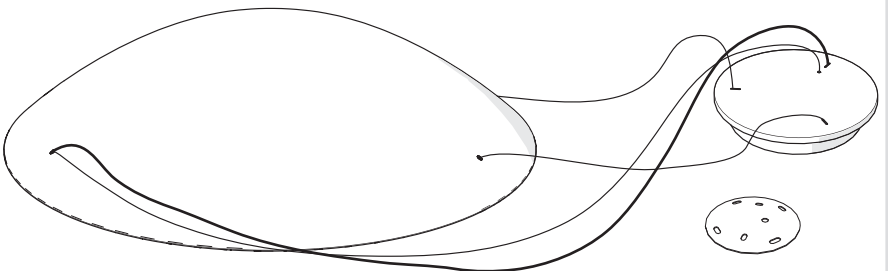
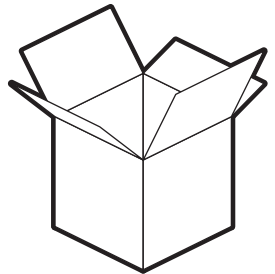
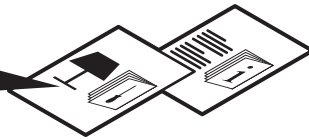
Ameluna

design
Mercedes-Benz Style



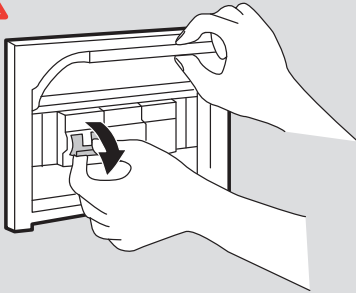
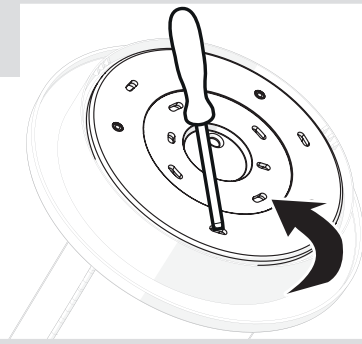


i

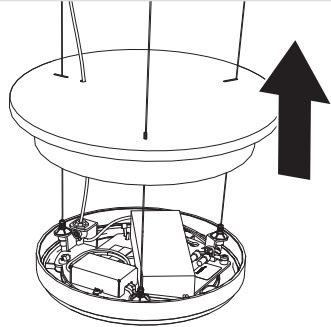




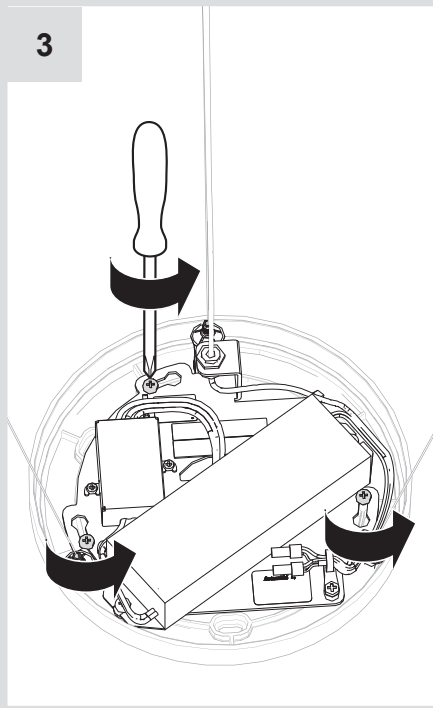
1



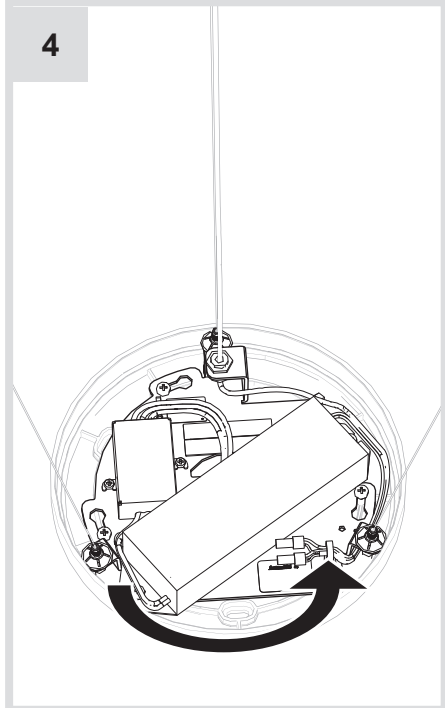
2

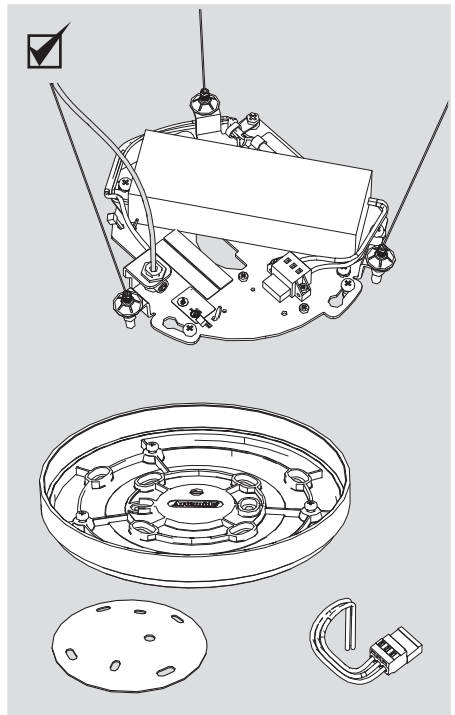
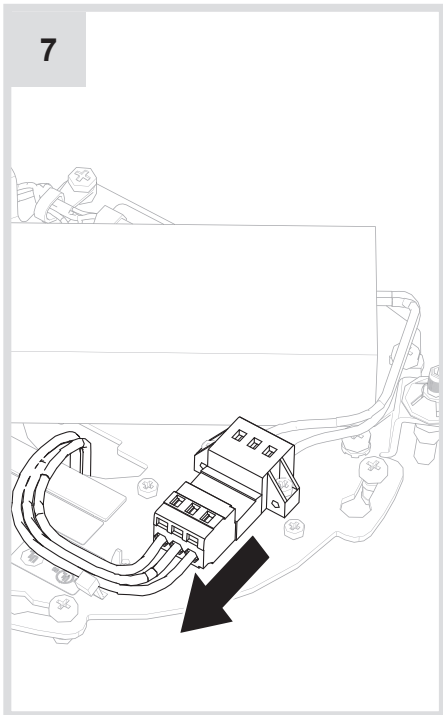
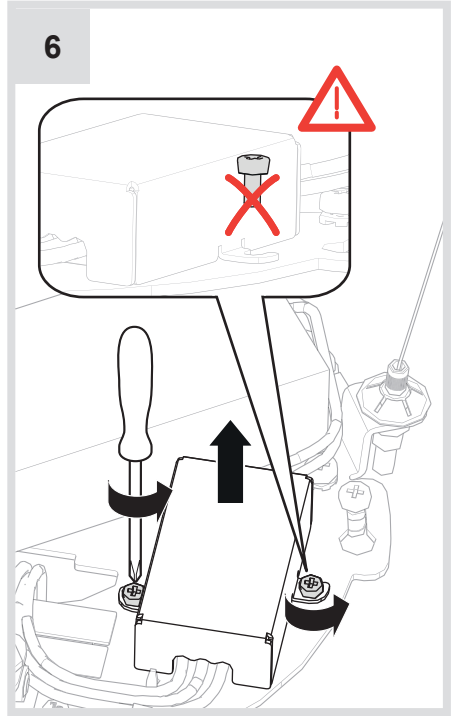
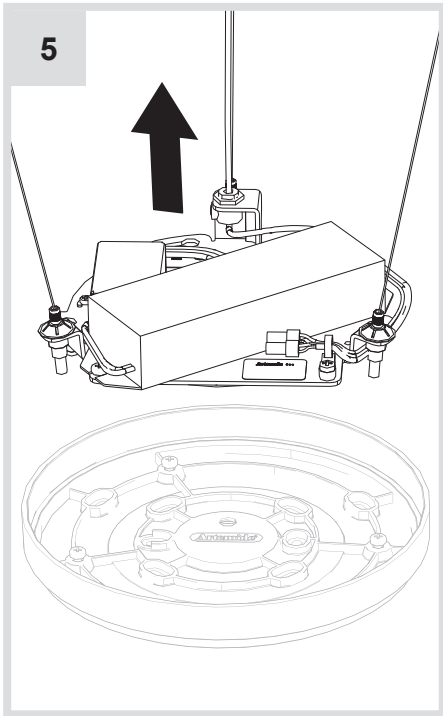


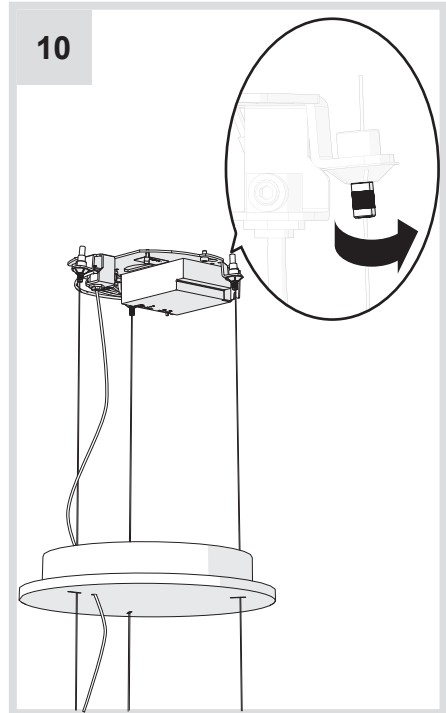
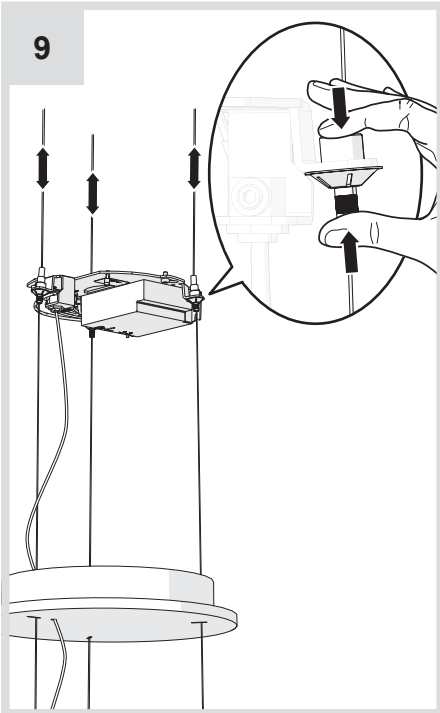
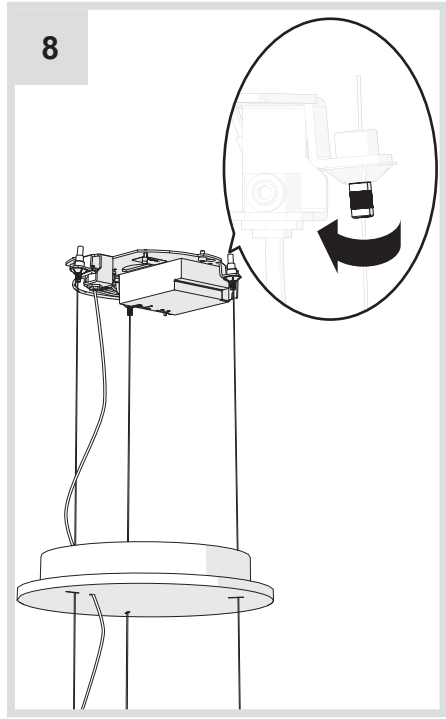
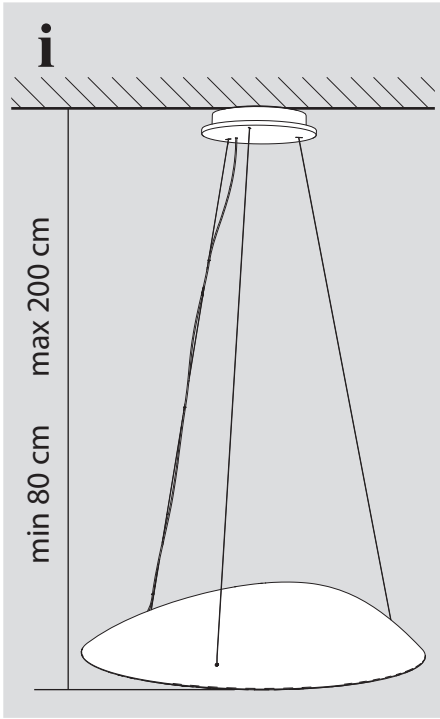
3

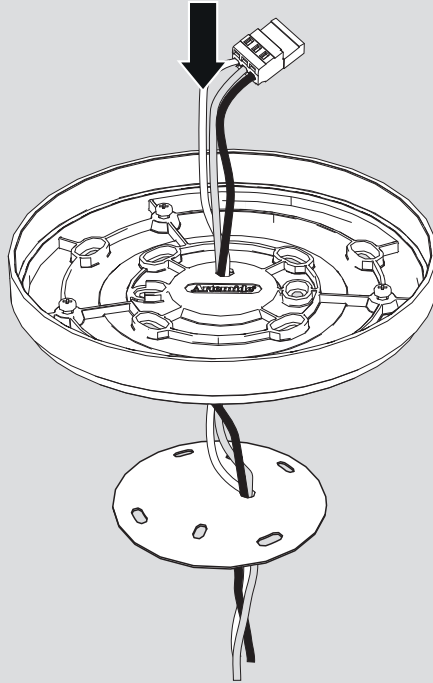


4







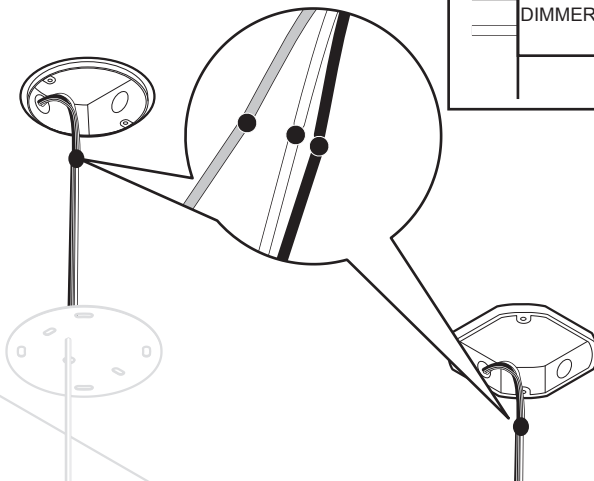
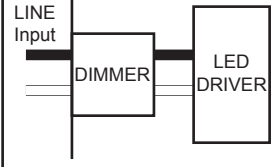


11b



120 V

Phase cut
Coupure de phase
Corte de fase

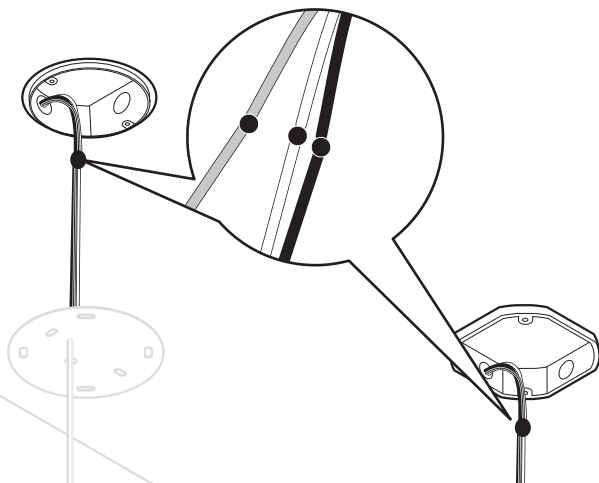


white/blanc/blanco		white/blanc/blanco
green/vert/verde		green/vert/verde
black/noir/negro		black/noir/negro

11b

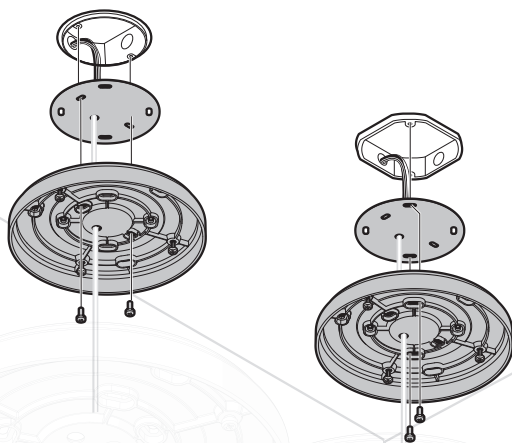


120 V

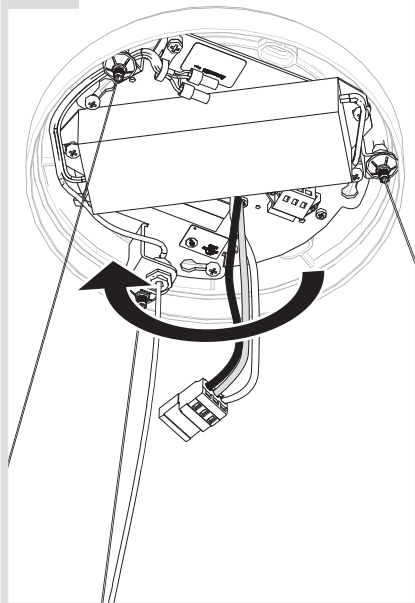


white/blanc/blanco	◁ ● ▷	white/blanc/blanco
green/vert/verde	◁ ● ▷	green/vert/verde
black/noir/negro	◁ ● ▷	black/noir/negro

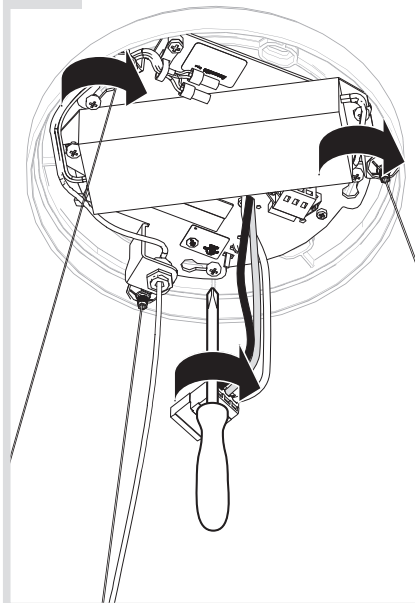
12



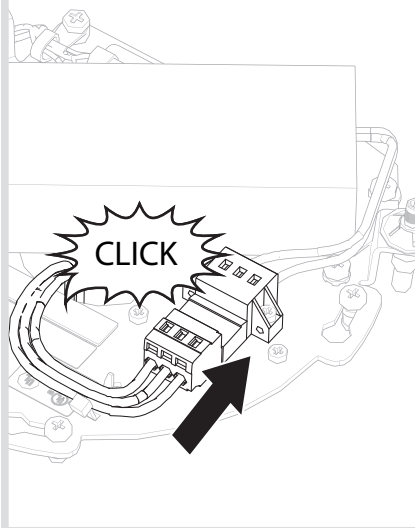
13



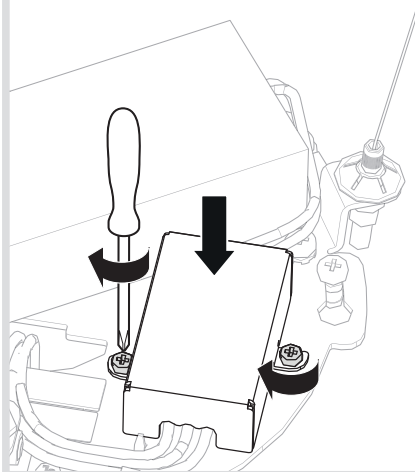
14



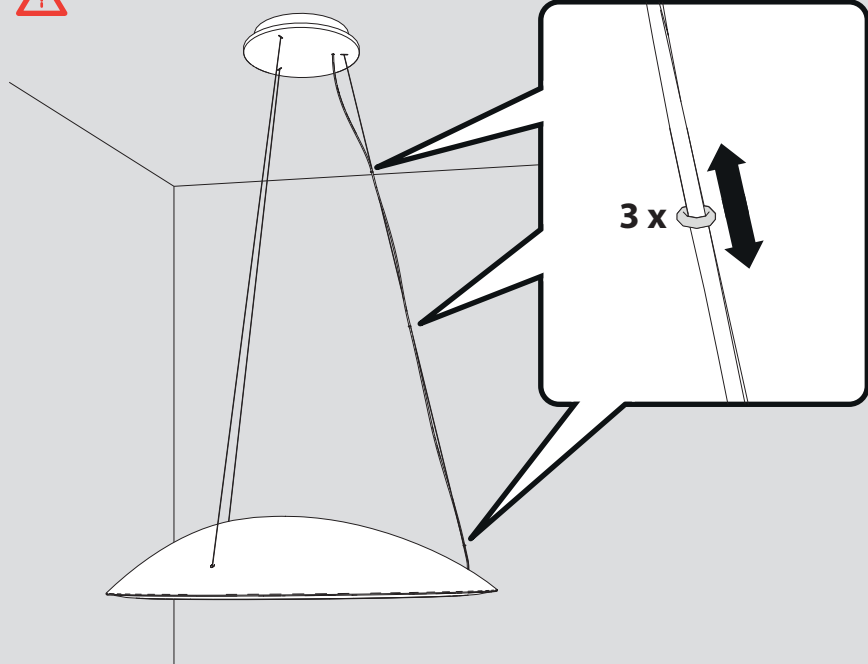
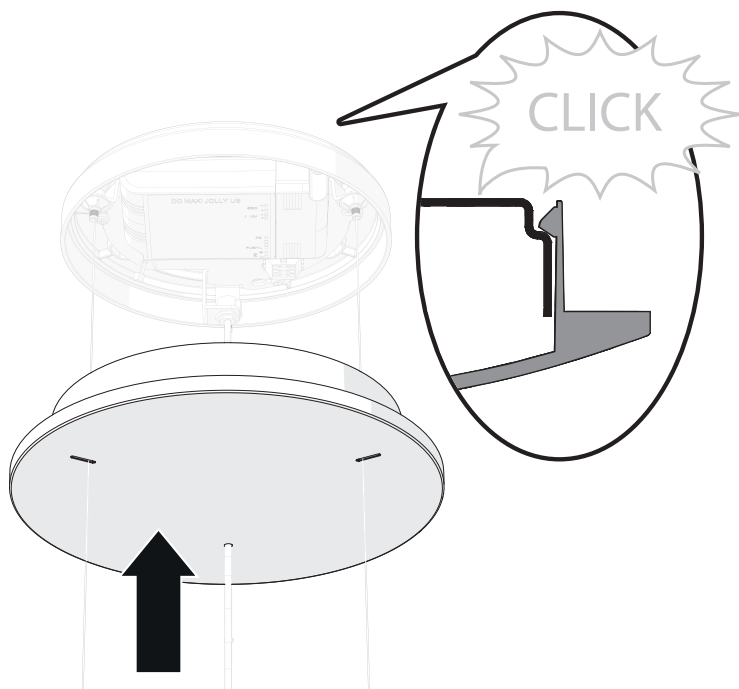
15

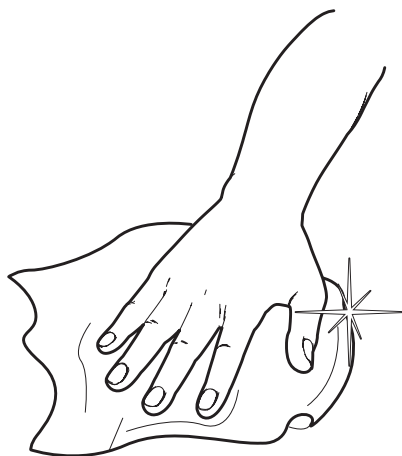


16



17





Artemide®



Artemide

via Bergamo, 18
20010 Pregnana M.se (MI)
ITALIA

tel. +39 02 935 181
fax +39 02 935 90 254
fax +39 02 935 90 496

www.artemide.com

VAT IT00846890150

Artemide Inc.

250 Karin Lane
Hicksville, NY 11801

Tel. 631 694 9292
Toll Free 1-877-Art-9111
Fax 631 694 9275

www.artemide.net

Artemide Ltée/Ltd.

11105 rue Renaude Lapointe
Montréal, Québec H1J 2T4

Tel. 514 323 6537
Toll Free 888 777 2783
Fax 514 323 8864

www.artemide.net

cod. Y513000706