

Reeds floor

T087308

SPECIFICATIONS



Design By

Klaus Begasse

Collection

Design



Specifications

Delivered lumens	79lm
Light output ratio	9lm/W
Power consumption	9W
Led type	7.5W Array*
CCT (Correlated Color Temperature)	3000K
CRI (Color Rendering Index)	>80
Life expectancy	50000Hrs
Control type	On/Off (On Cord)
Input Voltage	120V
Driver	TCl - 1 x DCC-15W-350MA/US

*Integrated light source

Colors & Finishes

- Transparent (Rods)
- Anthracite grey (Base)

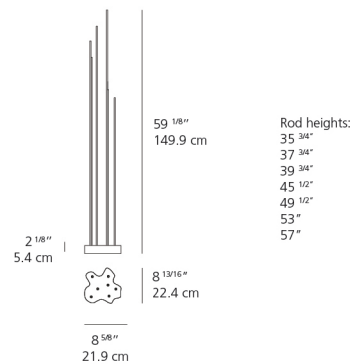
Materials

- 7 transparent rods in PMMA
- Base made of a polycarbonate casing installed between 2 aluminum plates and anti-scratch support feet

Features & Accessories

- Complete with integrated ballast and plug
- Multiple units can be combined to create numerous configurations
- Also available for outdoor use (consult Outdoor collection)

Dimensions



Packaging

2 Boxes

1 x 15-13/16" x 15-13/16" x 8-11/16" / 4.28 lbs - 40 cm x 40 cm x 21.8 cm / 1.94 kg

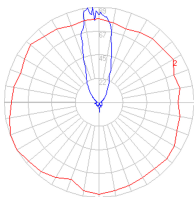
1 x 61-1/8" x 2-1/4" x 2-1/4" / 1.96 lbs - 155 cm x 5.5 cm x 5.5 cm / .89 kg

Light distribution

Indirect

Luminaire weight

3.82 lbs / 1.73 kg



Red = Max Cd. Through Vertical plane
Blue = Max Cd. Through Horizontal plane

Warranty

5 year limited warranty