

Spectral Light suspension

SPECIFICATIONS

0341015A



Design By

Philippe Rahm

Collection

Design



Specifications

Delivered lumens	3360lm
Light output ratio	59lm/W
Power consumption	57W
Led type	12X2W Array* + 25W C.O.B.*
CCT (Correlated Color Temperature)	3000K
CRI (Color Rendering Index)	>90
Life expectancy	50000Hrs
Control type	Dimmable 0-10V
Input Voltage	120V
Driver	N/A

Colors & Finishes

Transparent

Materials

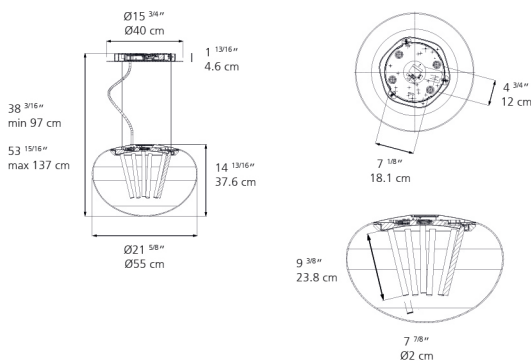
- Frame in aluminum
- Clear glass diffuser with white painted dots inside section
- Optical PMMA wavelength cylinders

*Integrated light source

Features & Accessories

- The glass globe is punctured by 36 LED tubes inserted into electrical connectors
- Each connections representing a single wavelength
- Indirect emission is tunable white

Dimensions



Packaging

1 Box

1 x 31-9/16" x 31-1/2" x 30" / 50.27 lbs - 80 cm x 67 cm x 76 cm / 22.8 kg

Light distribution

Direct/Indirect

Luminaire weight

35.27 lbs / 16 kg

Warranty

Red = Max Cd. Through Vertical plane

Blue = Max Cd. Through Horizontal plane