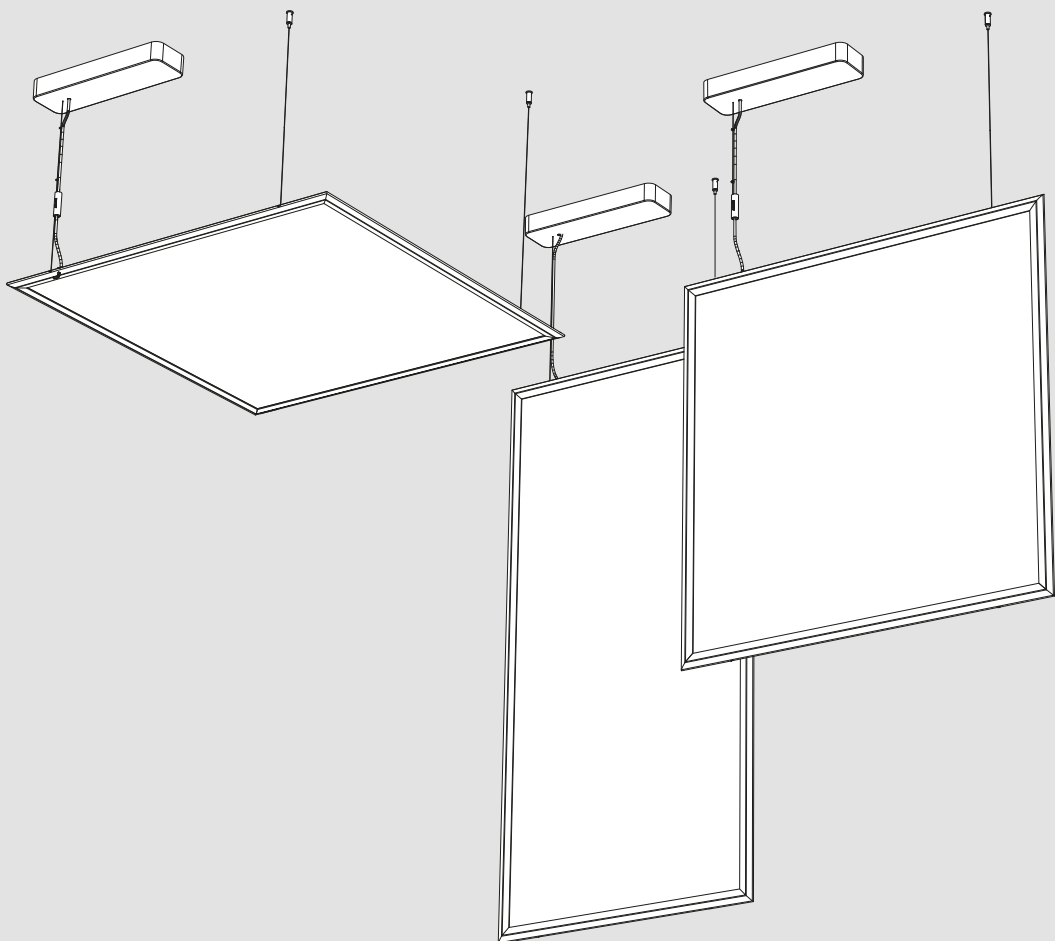


# Artemide®

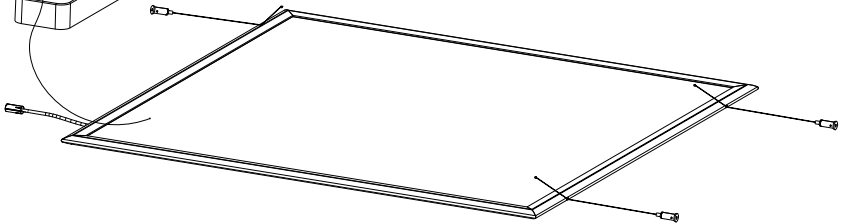
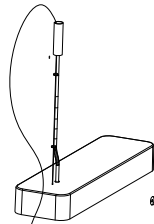
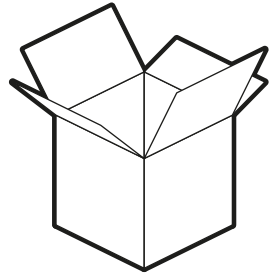
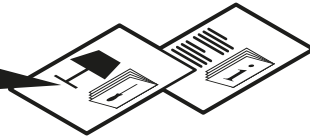
## Discovery Space White

design  
E. Gismondi

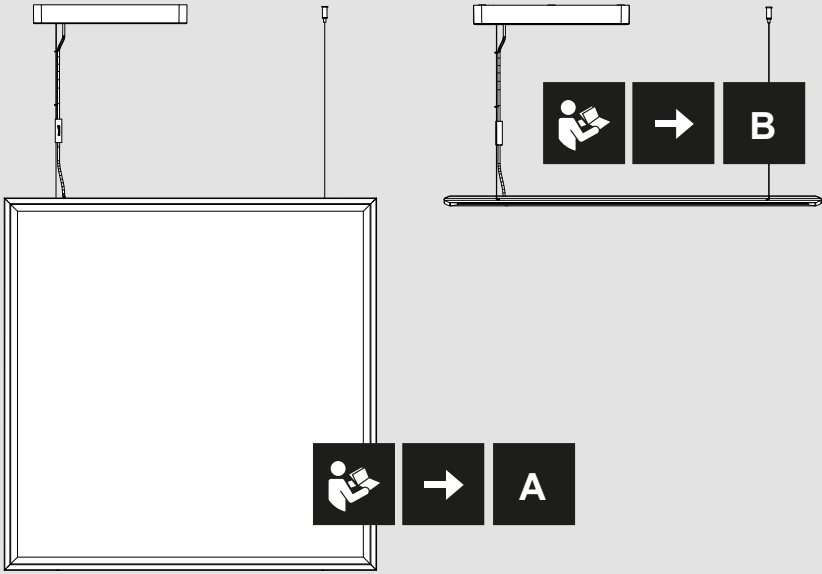




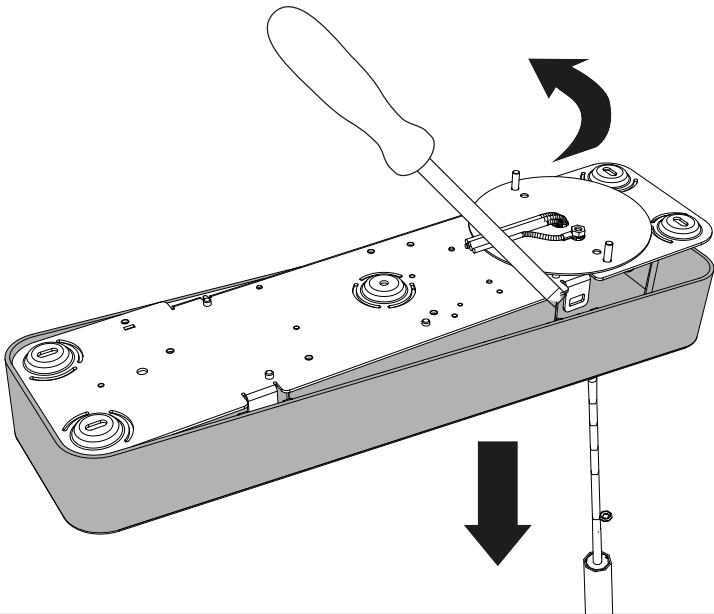
i

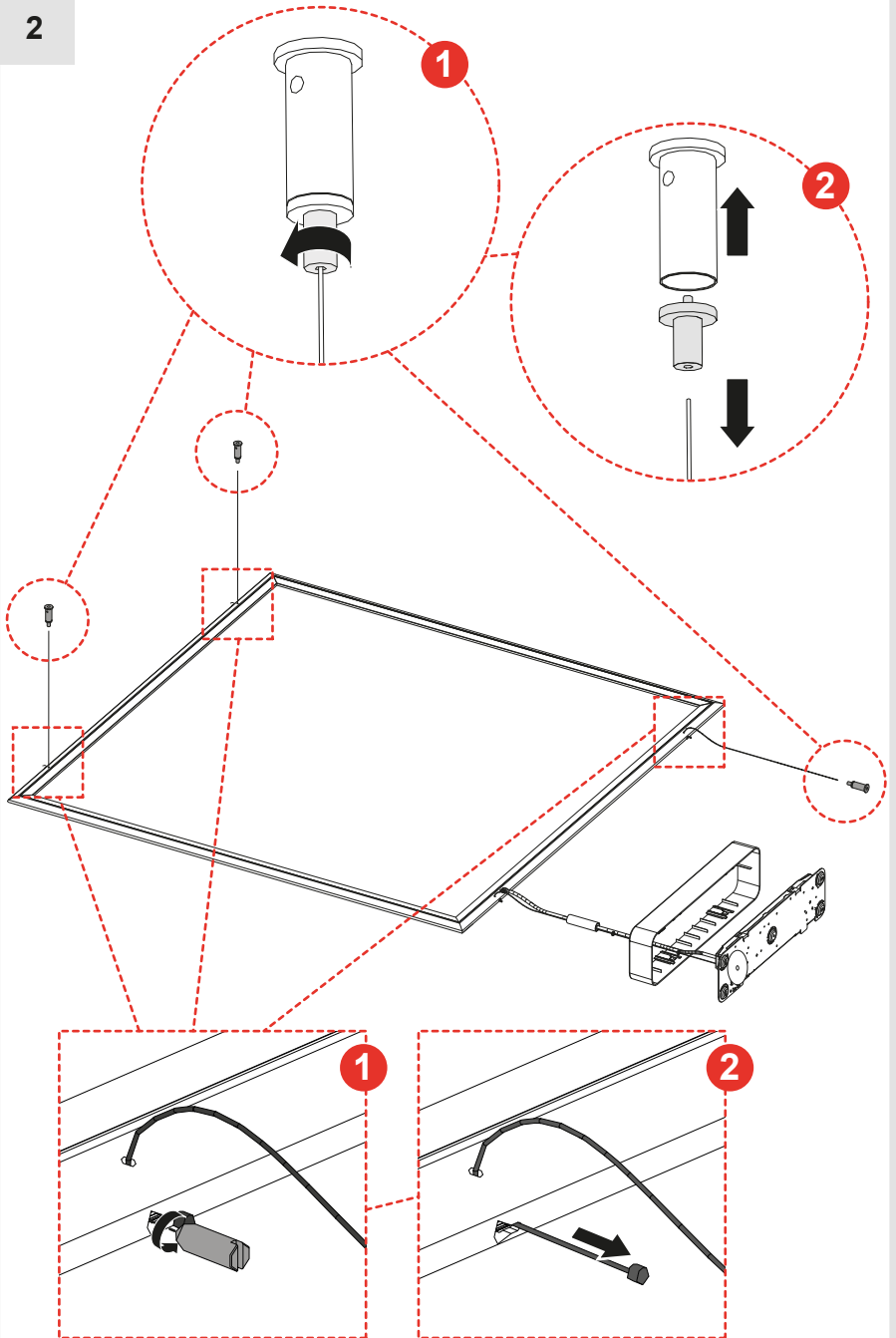


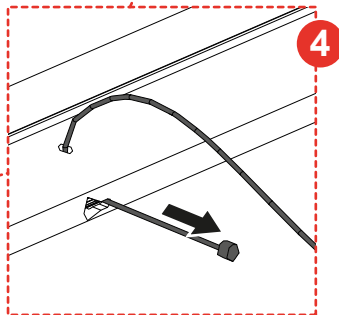
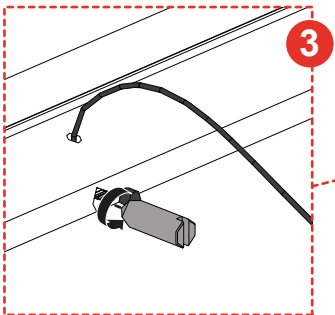
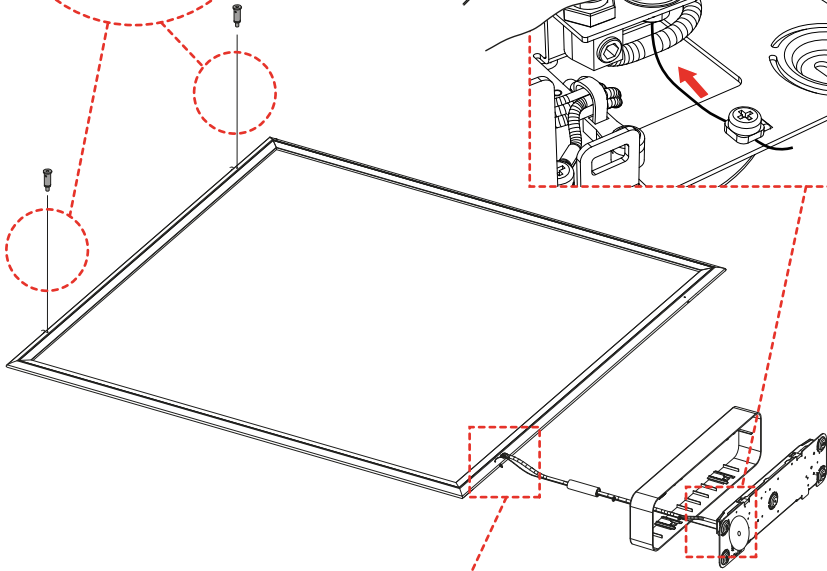
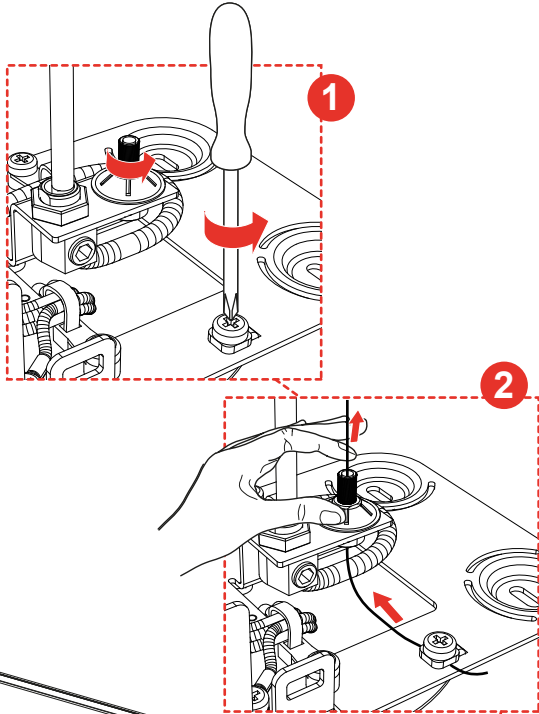
**i**



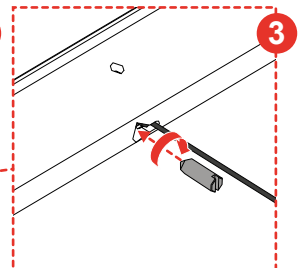
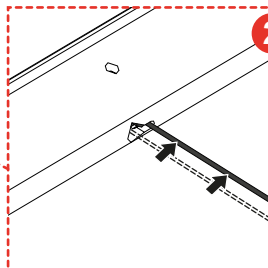
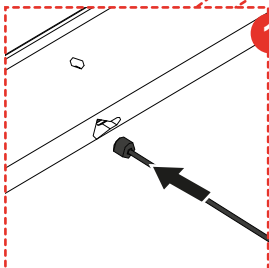
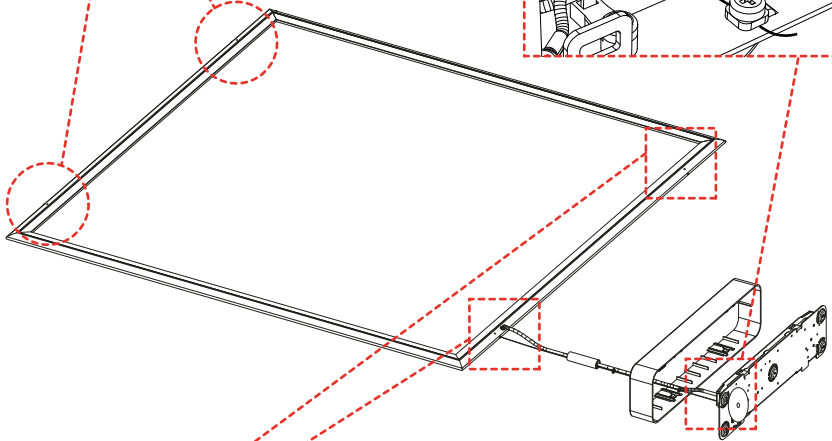
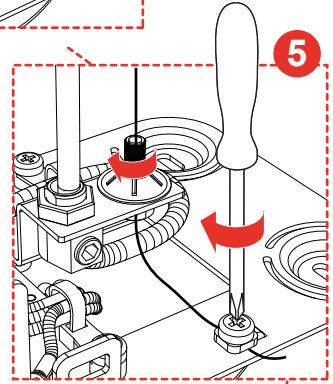
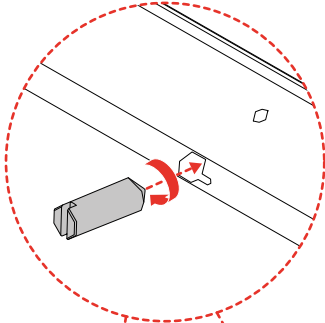
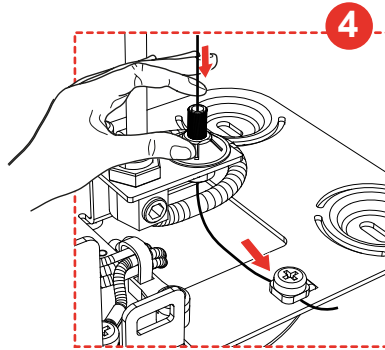
**1**



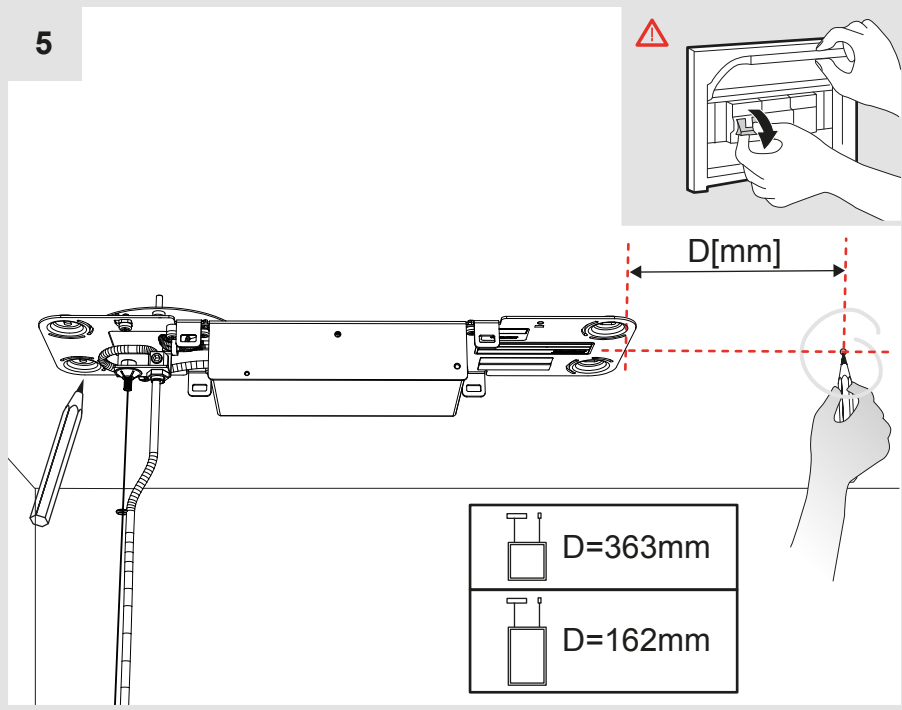




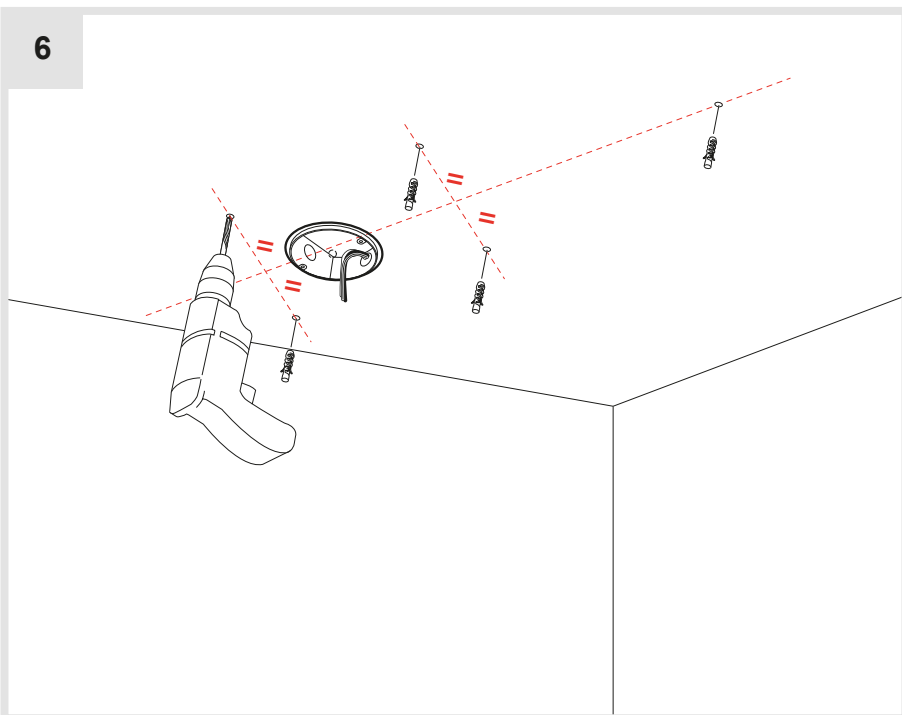
4



5



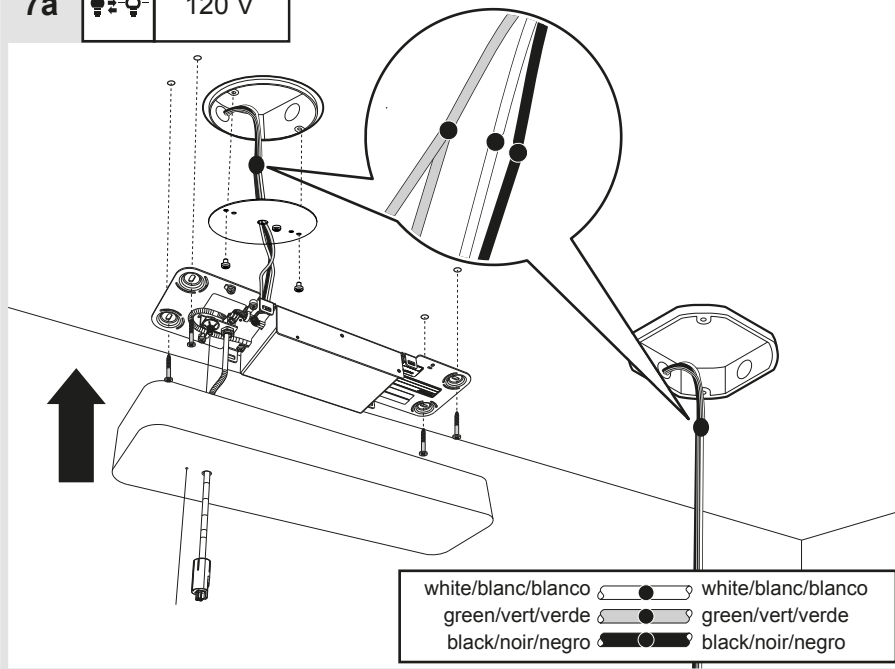
6



7a



120 V

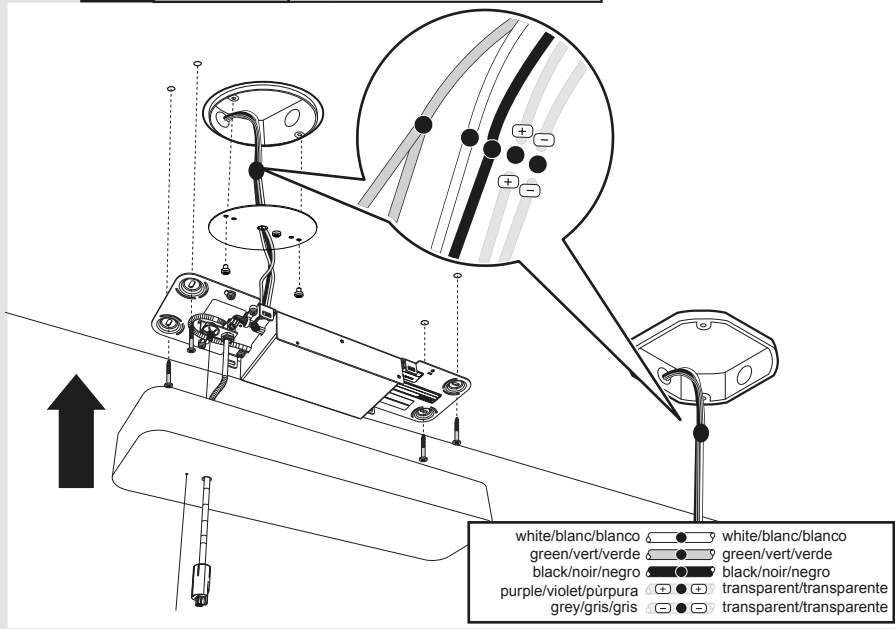


7b



120 V

1-10 V dimming control  
Dimmable 1-10 V  
Regulable mediante control 1-10 V



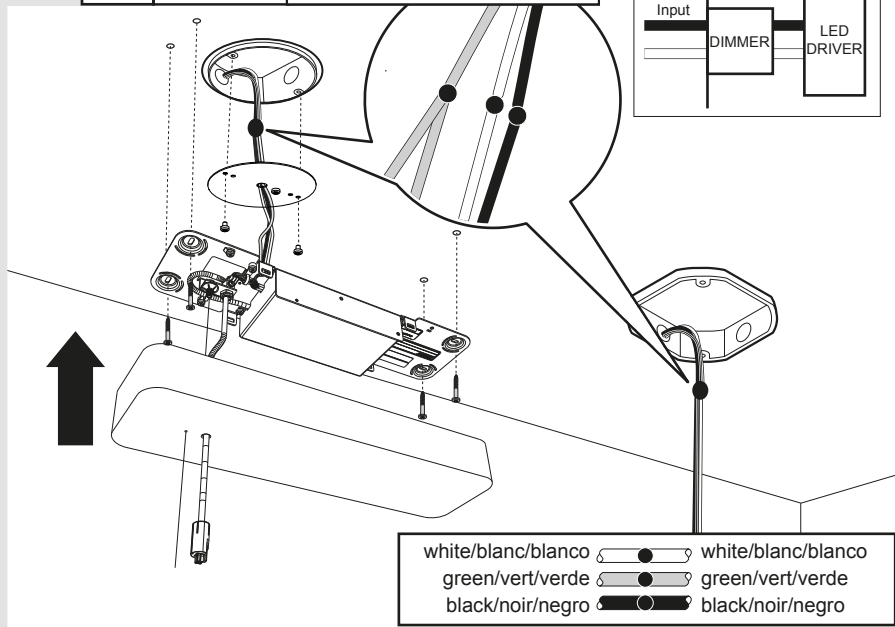
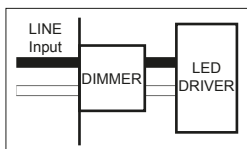


7c

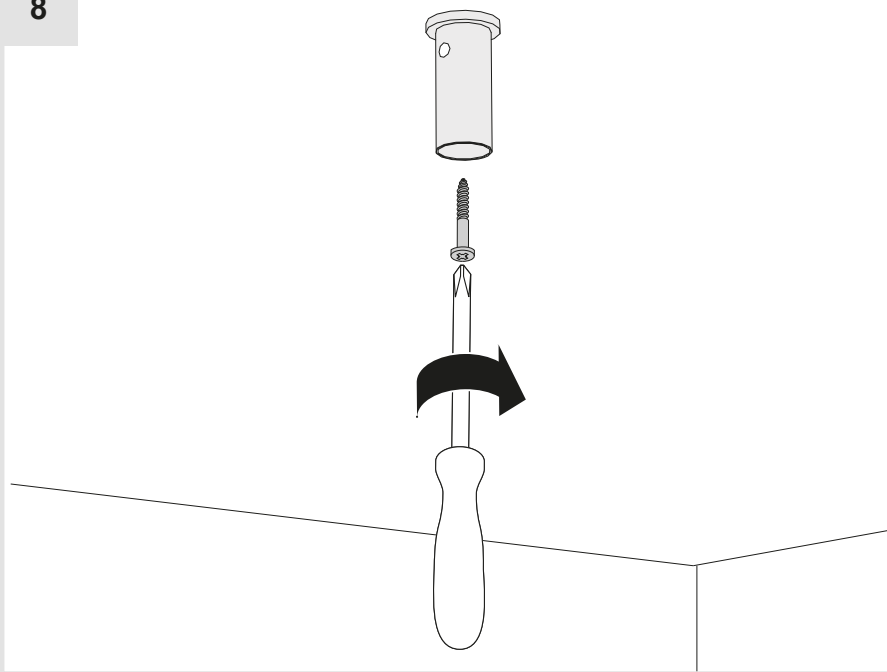


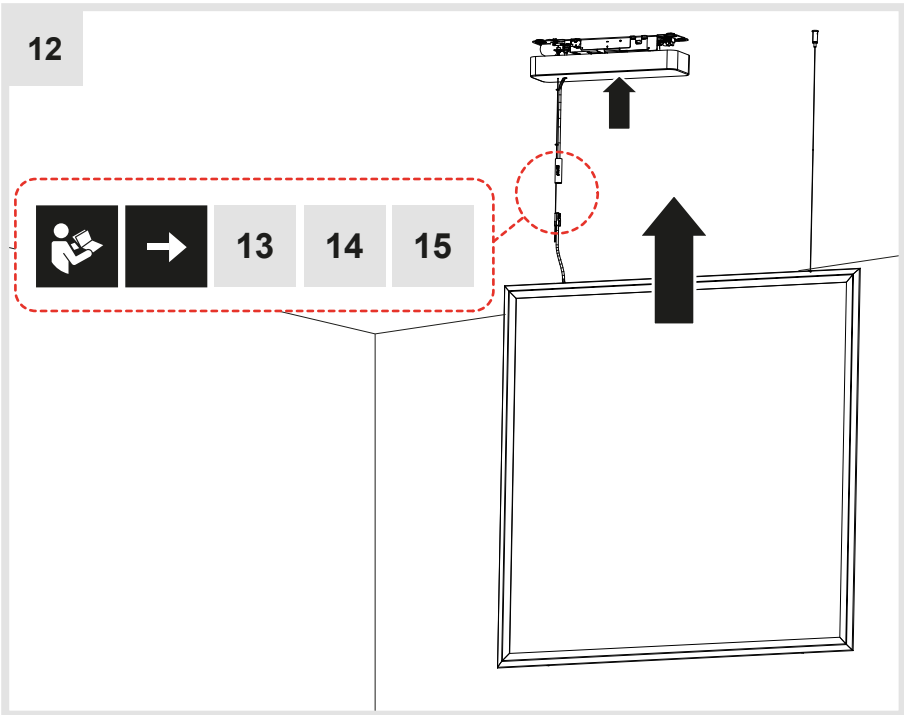
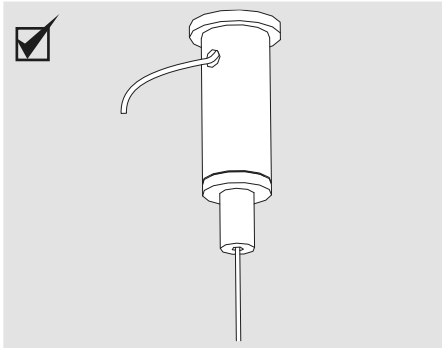
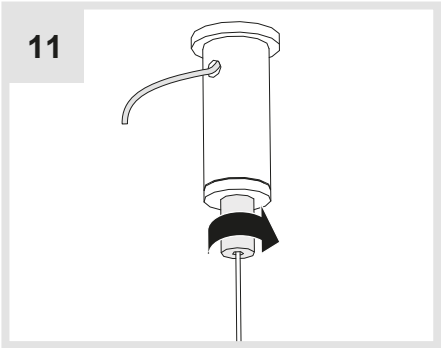
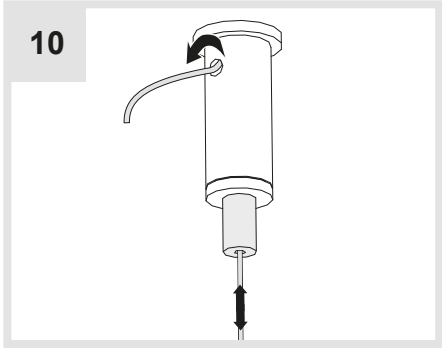
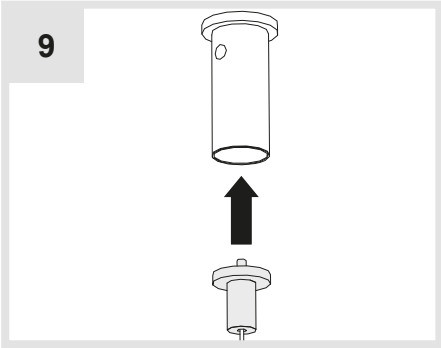
120 V

Phase cut  
Coupure de phase  
Corte de fase

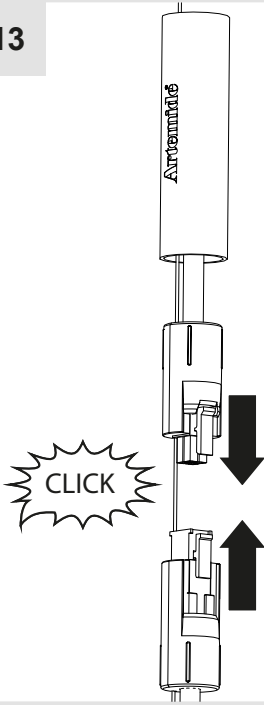


8

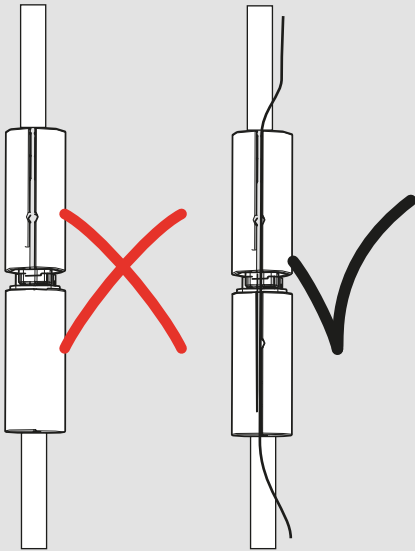
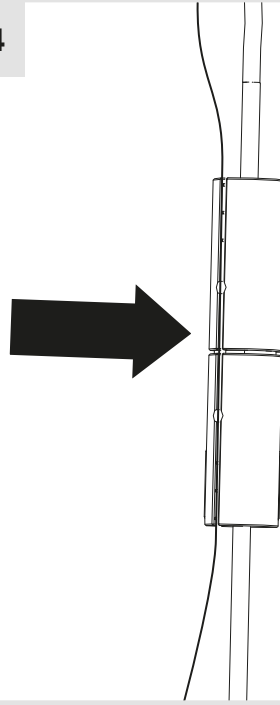




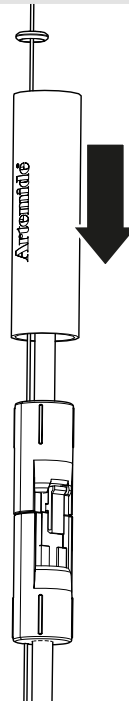
13



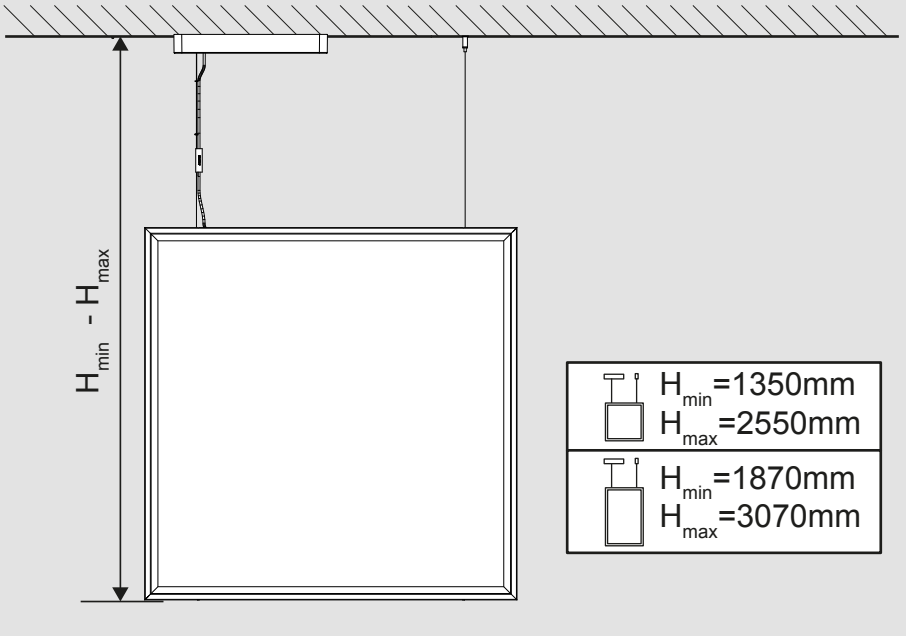
14



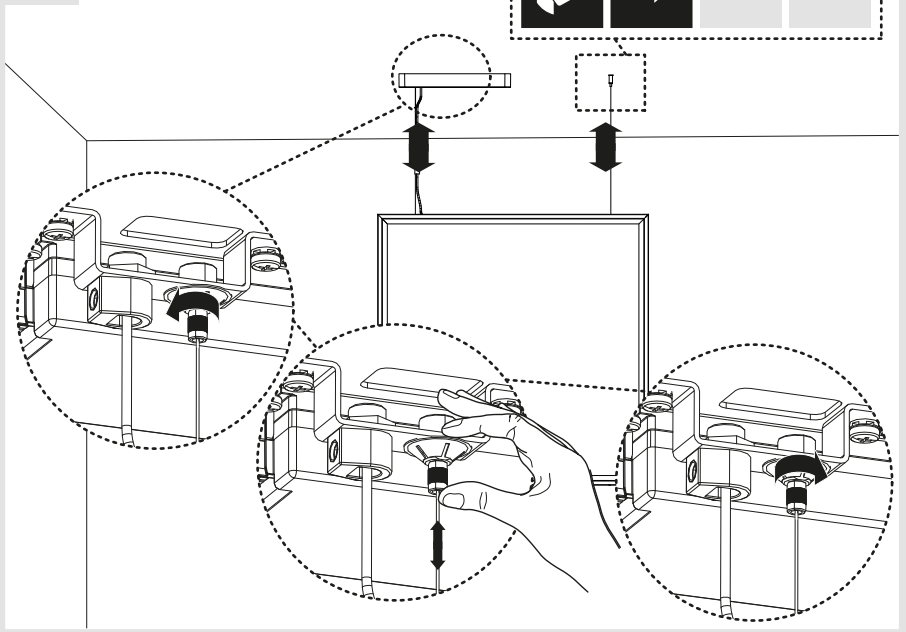
15



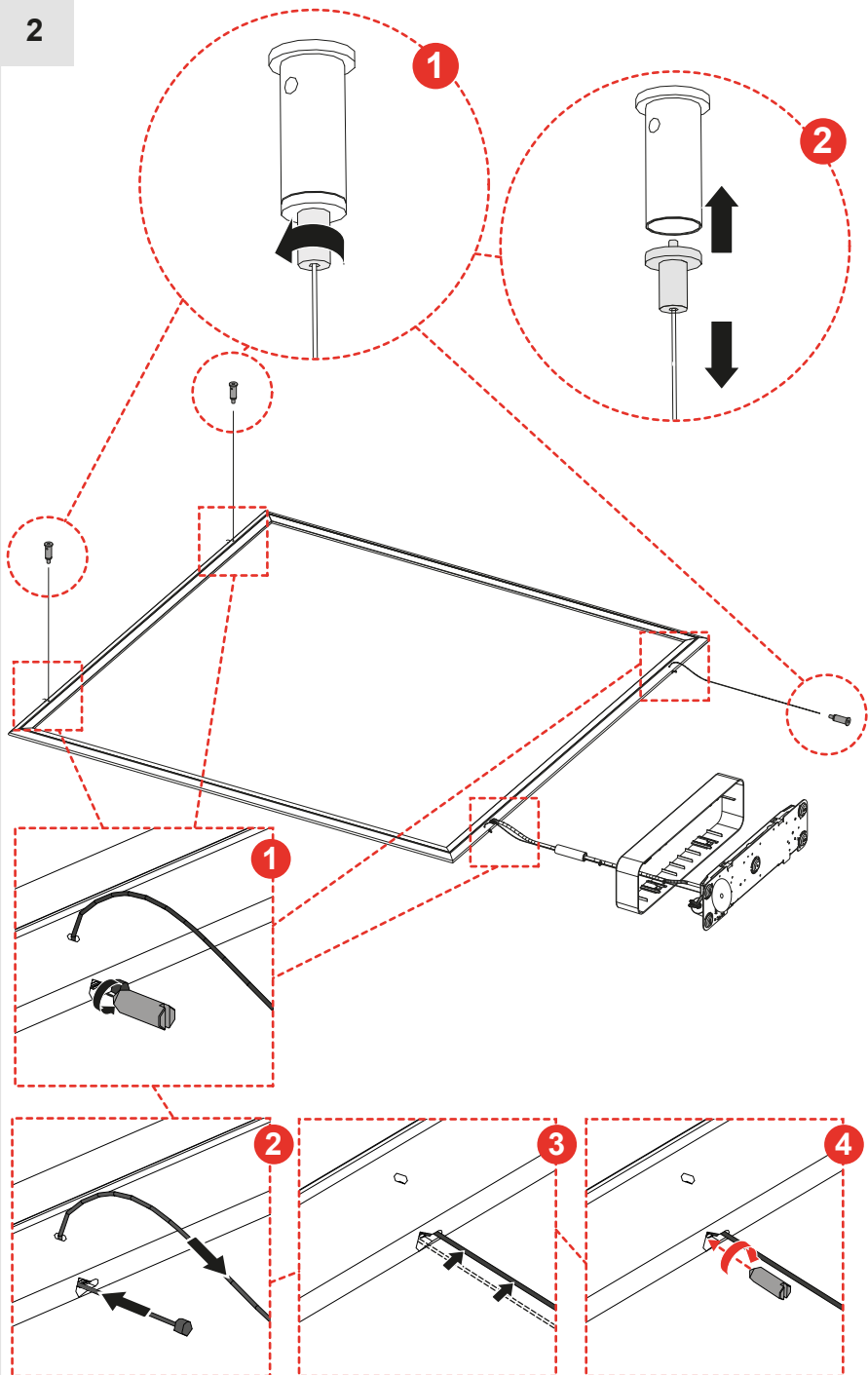
**i**



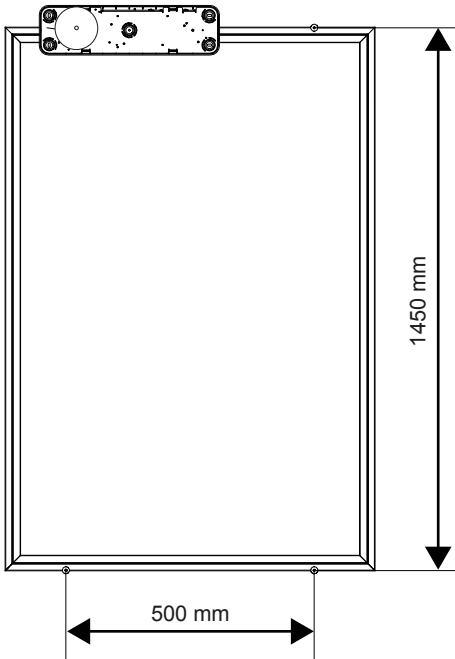
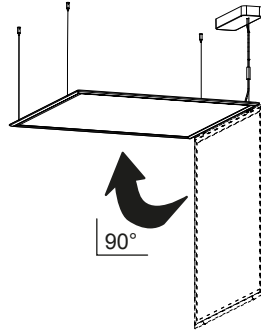
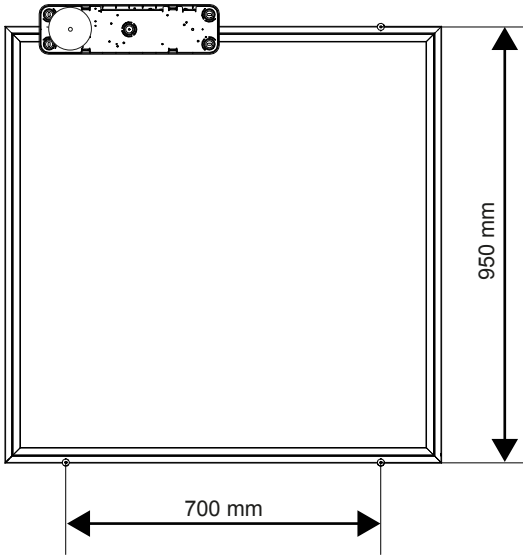
**16**



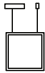
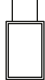


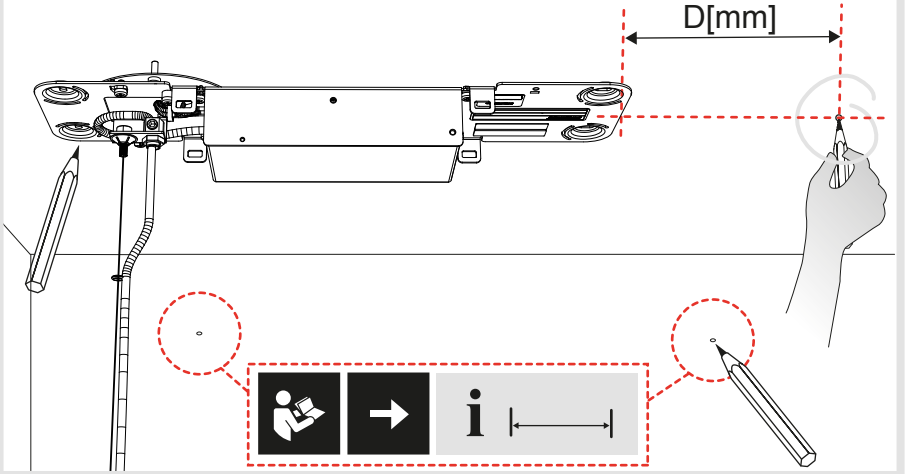
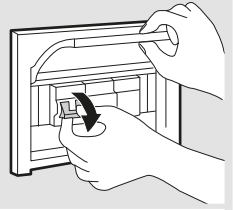


**i**

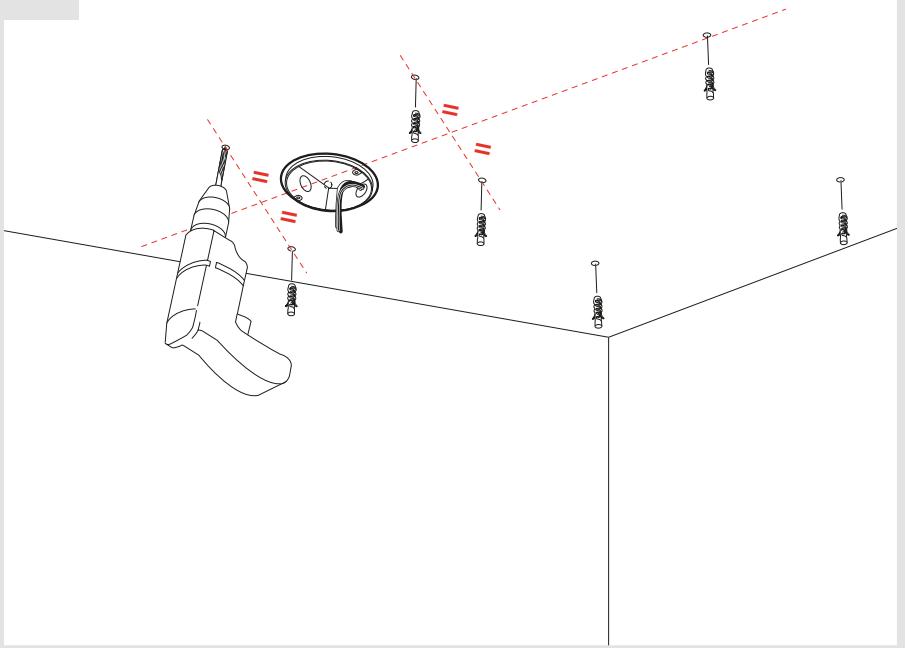


3

	D=363mm
	D=162mm



4

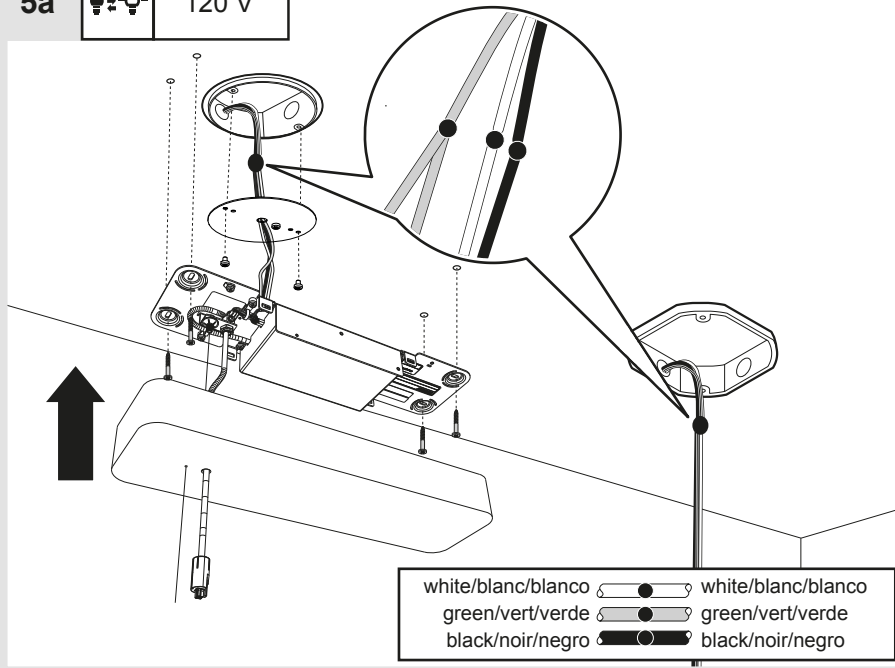




5a



120 V

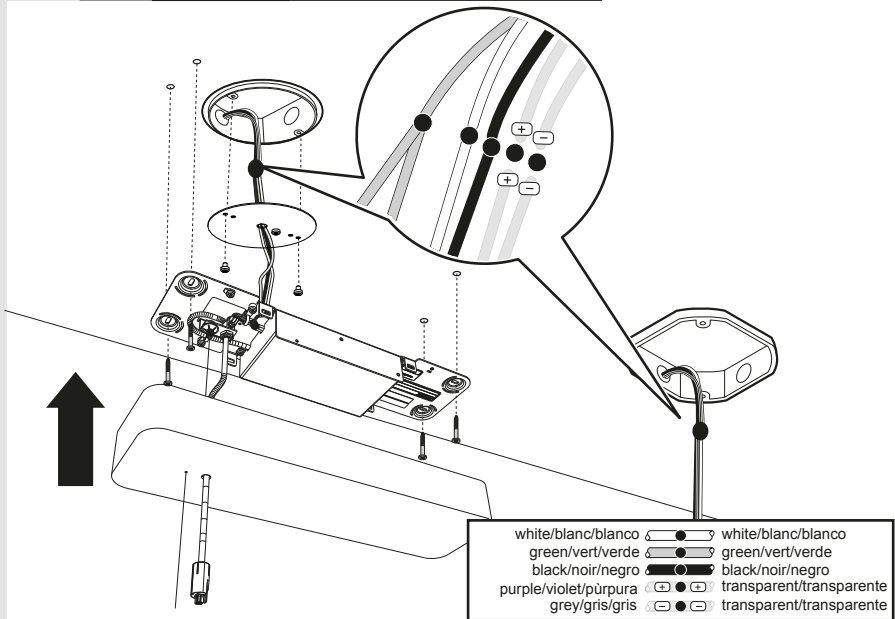


6b



120 V

1-10 V dimming control  
Dimmable 1-10 V  
Regulable mediante control 1-10 V

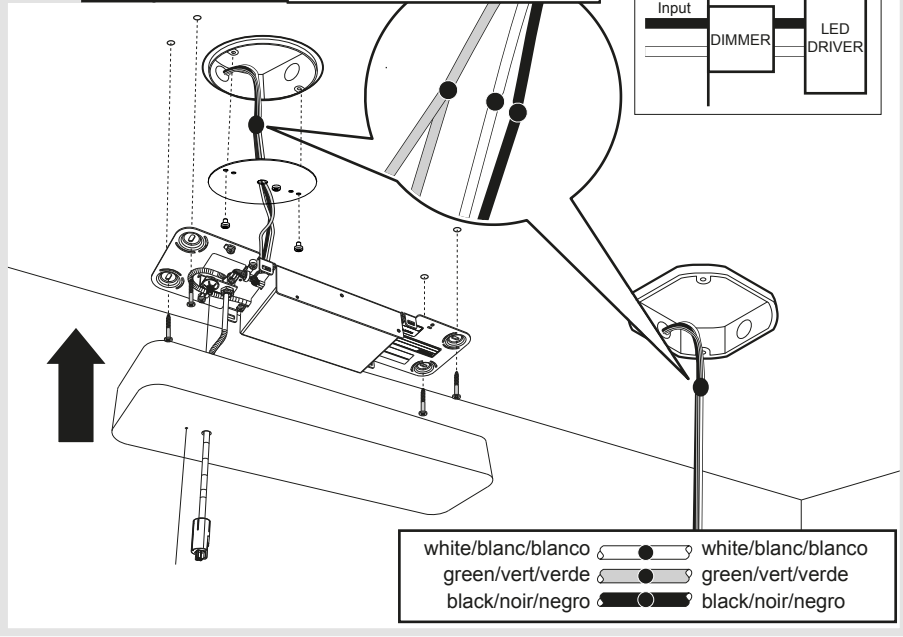
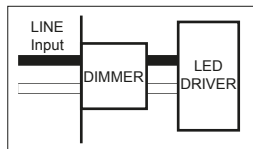


6c

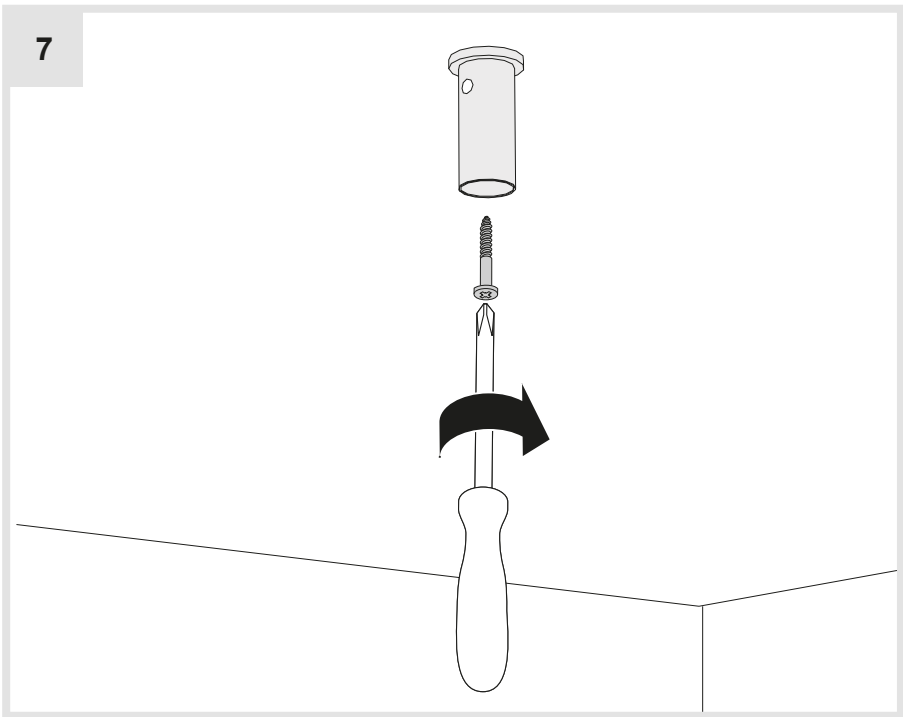


120 V

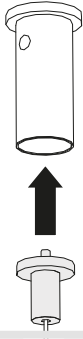
Phase cut  
Coupure de phase



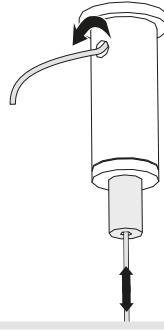
7



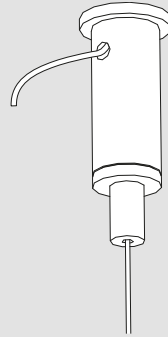
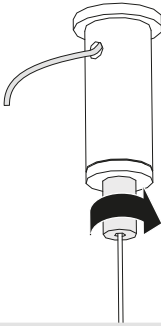
8



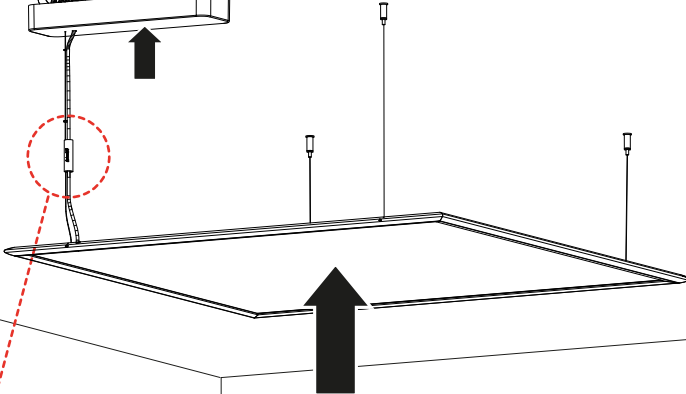
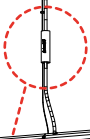
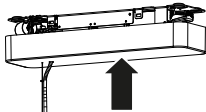
9



10



11

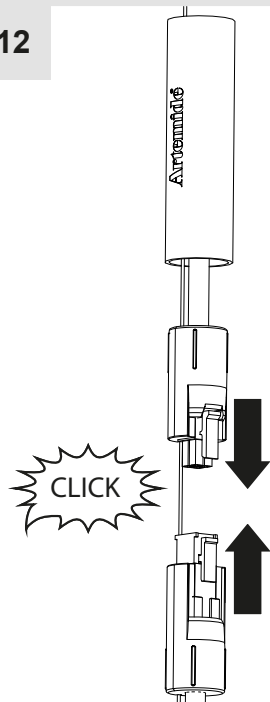


12

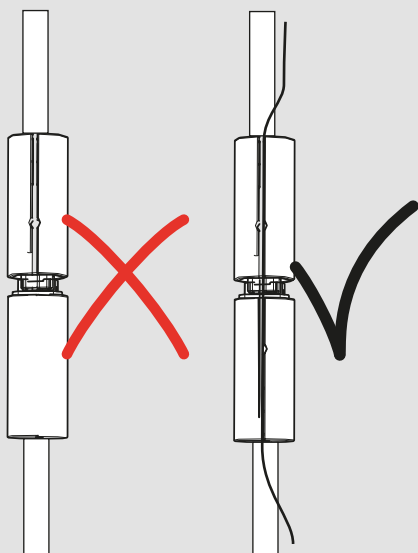
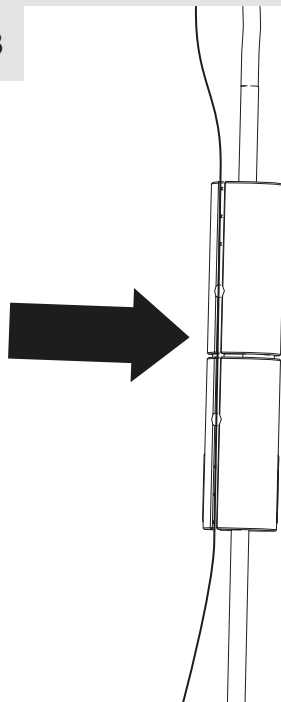
13

14

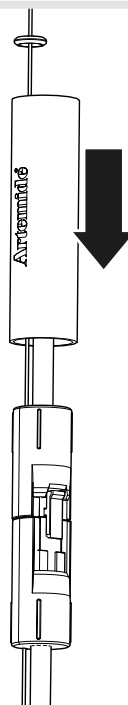
12



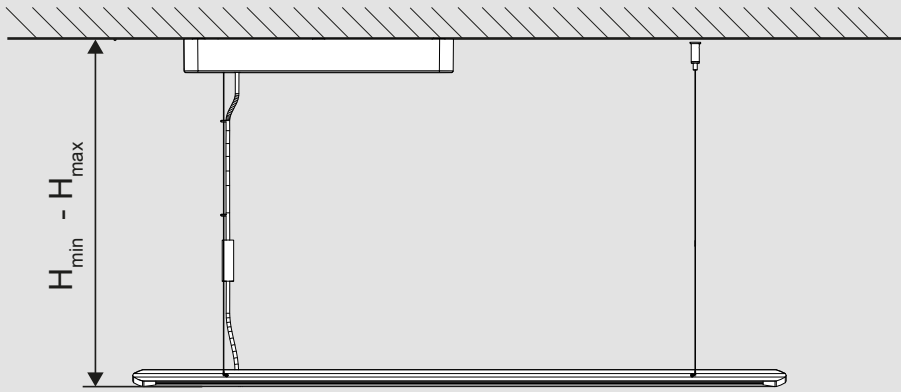
13




14

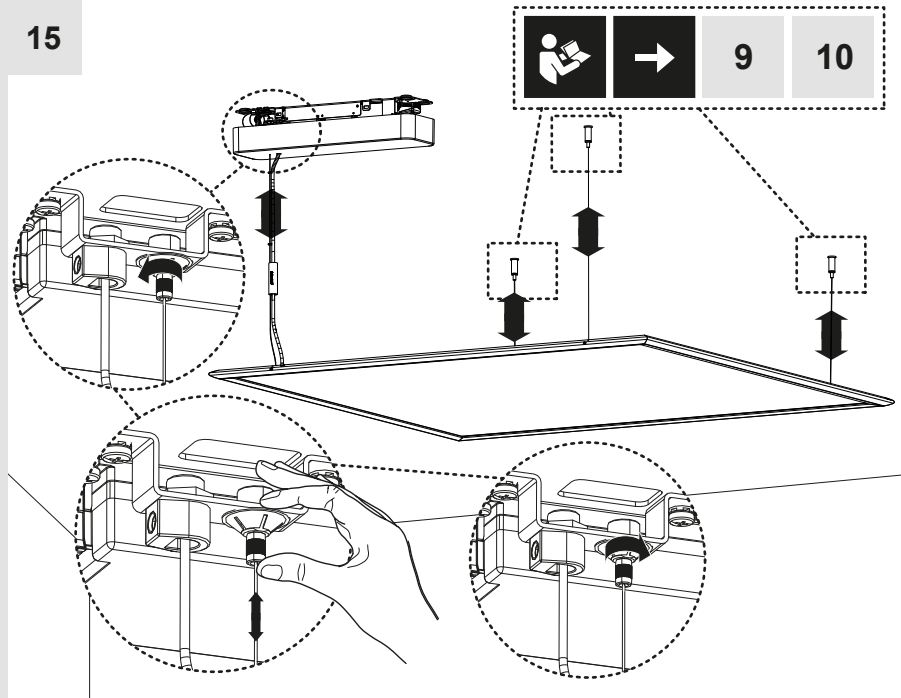


**i**



	$H_{\min} = 420\text{mm}$
	$H_{\max} = 1620\text{mm}$

**15**

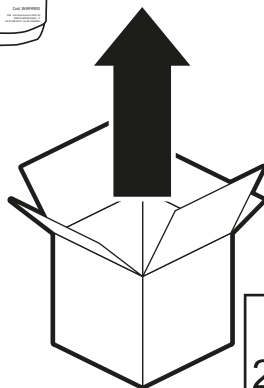




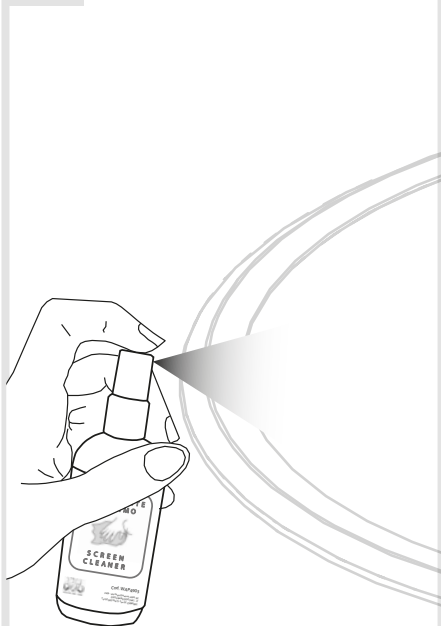
1



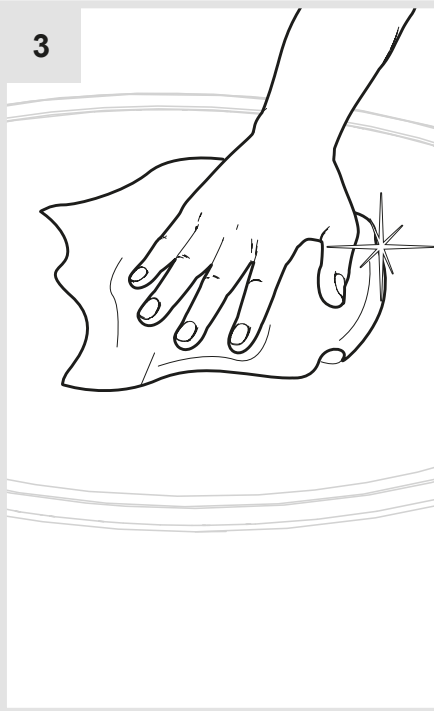
WAP4903



2

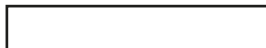


3





# Artemide®



## **Artemide**

via Bergamo, 18  
20010 Pregnana M.se (MI)  
ITALIA

tel. +39 02 935 181  
fax +39 02 935 90 254  
fax +39 02 935 90 496

[www.artemide.com](http://www.artemide.com)

VAT IT00846890150

## **Artemide Inc.**

250 Karin Lane  
Hicksville, NY 11801

Tel. 631 694 9292  
Toll Free 1-877-Art-9111  
Fax 631 694 9275

[www.artemide.net](http://www.artemide.net)

## **Artemide Ltée/Ltd.**

11105 rue Renaude Lapointe  
Montréal, Québec H1J 2T4

Tel. 514 323 6537  
Toll Free 888 777 2783  
Fax 514 323 8864

[www.artemide.net](http://www.artemide.net)

cod. Y513001332