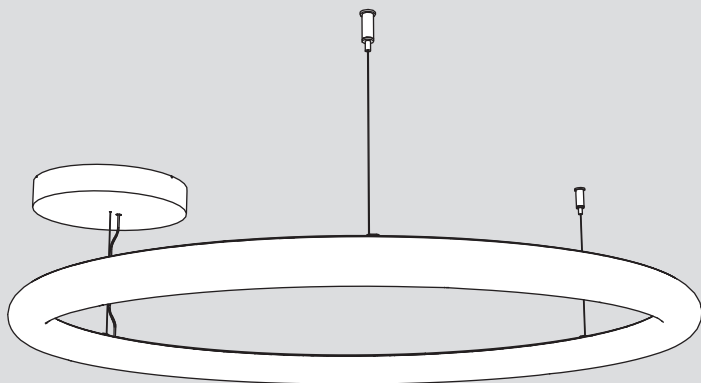


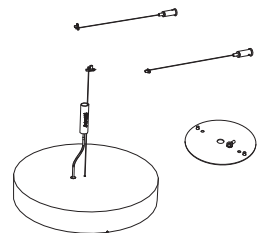
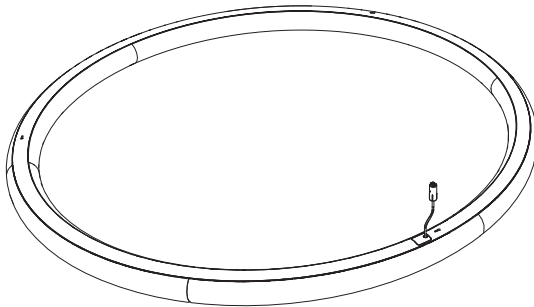
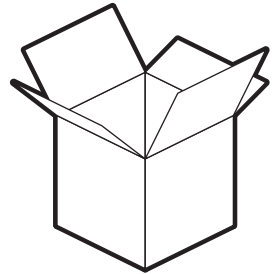
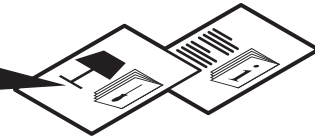
Alphabet of Light Circular 90

design
BIG

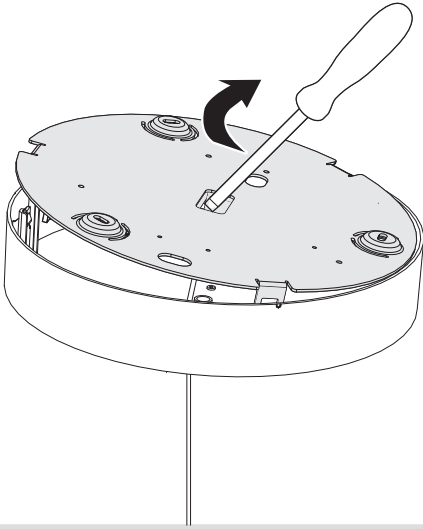




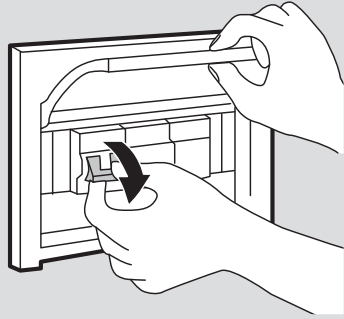
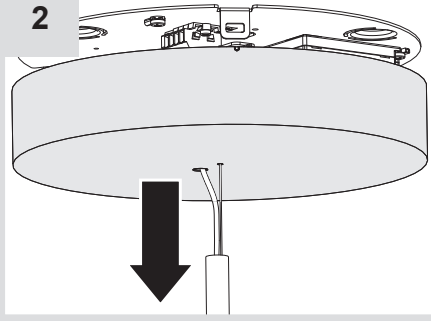
i



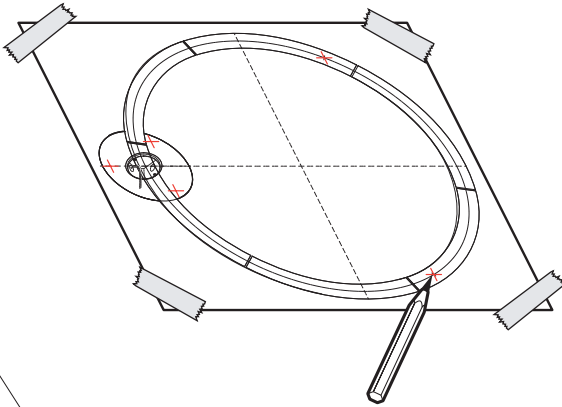
1

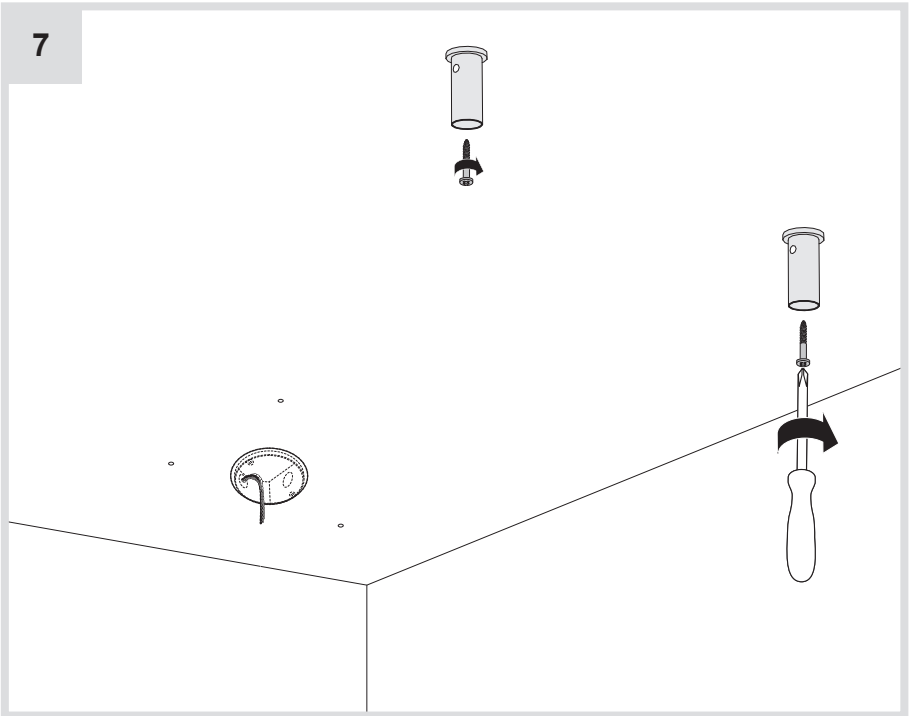
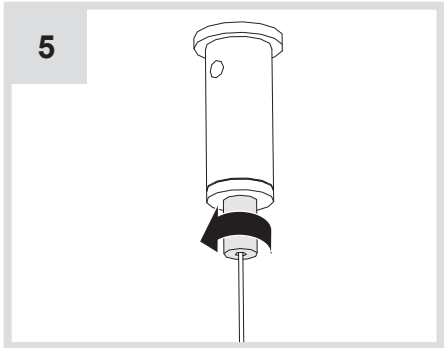
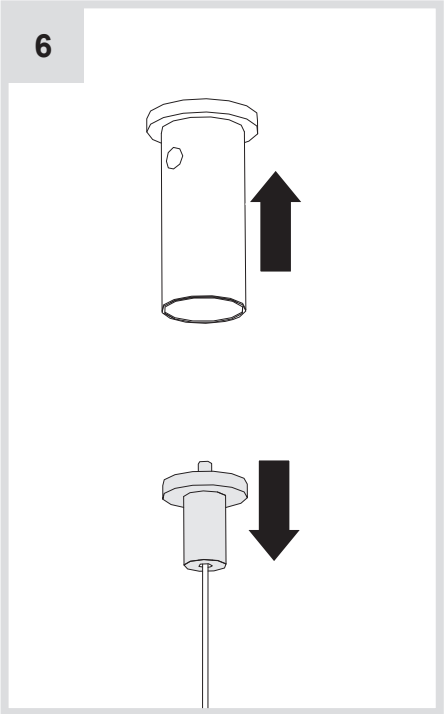
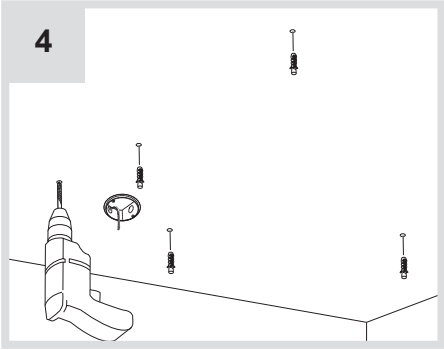


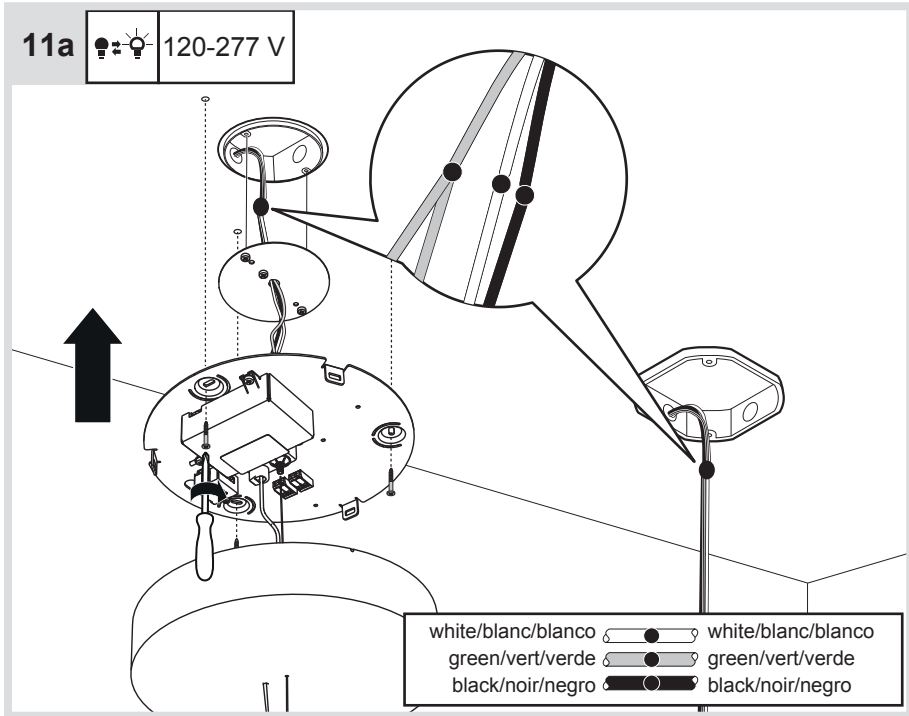
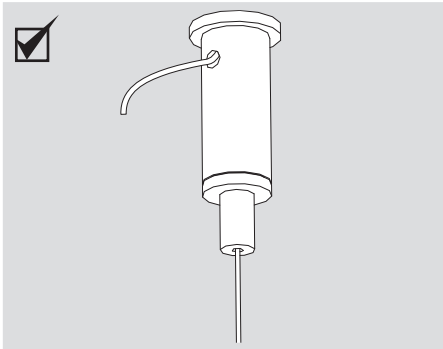
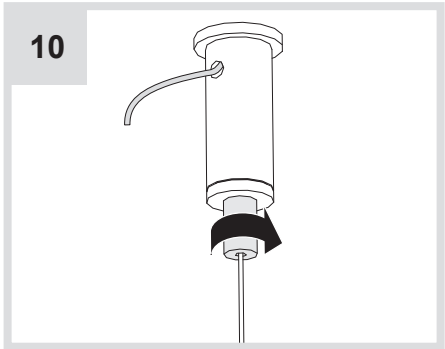
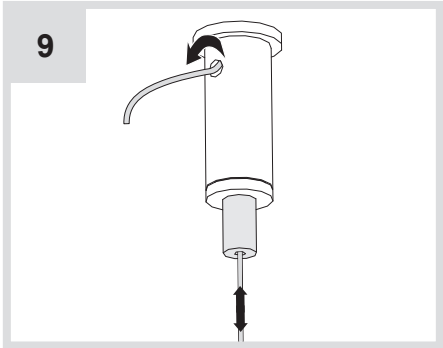
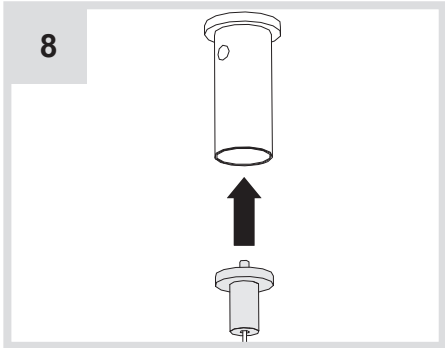
2



3

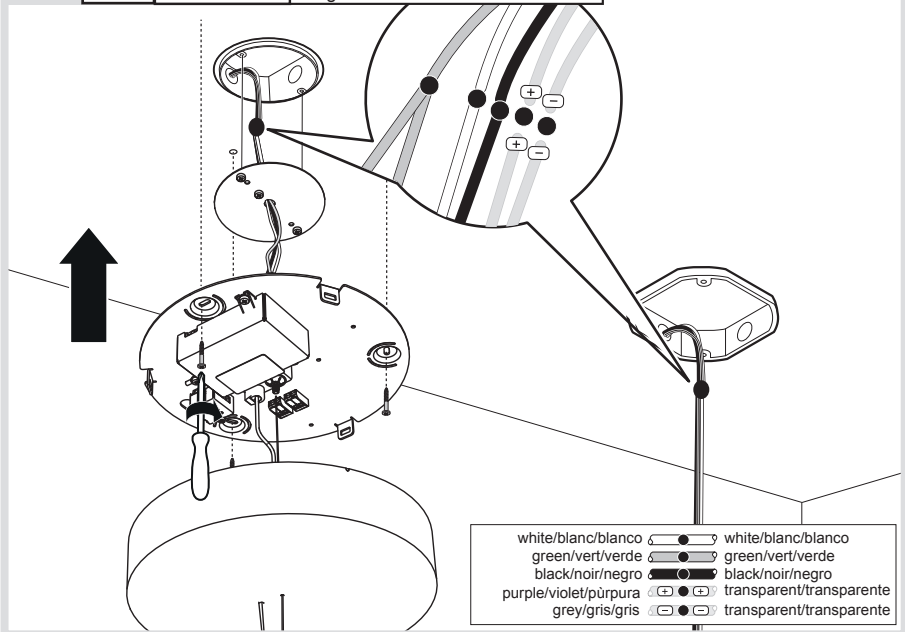




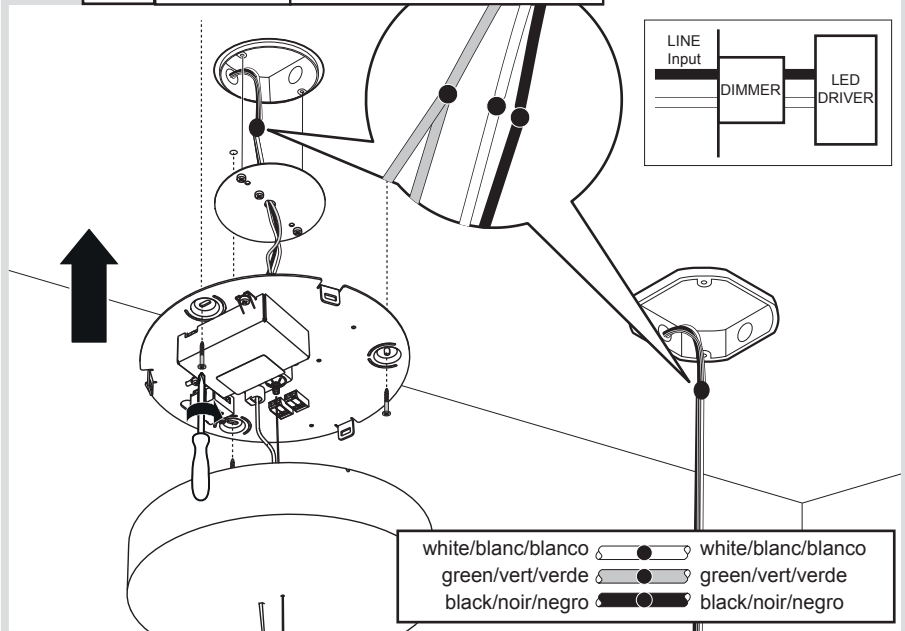


11b

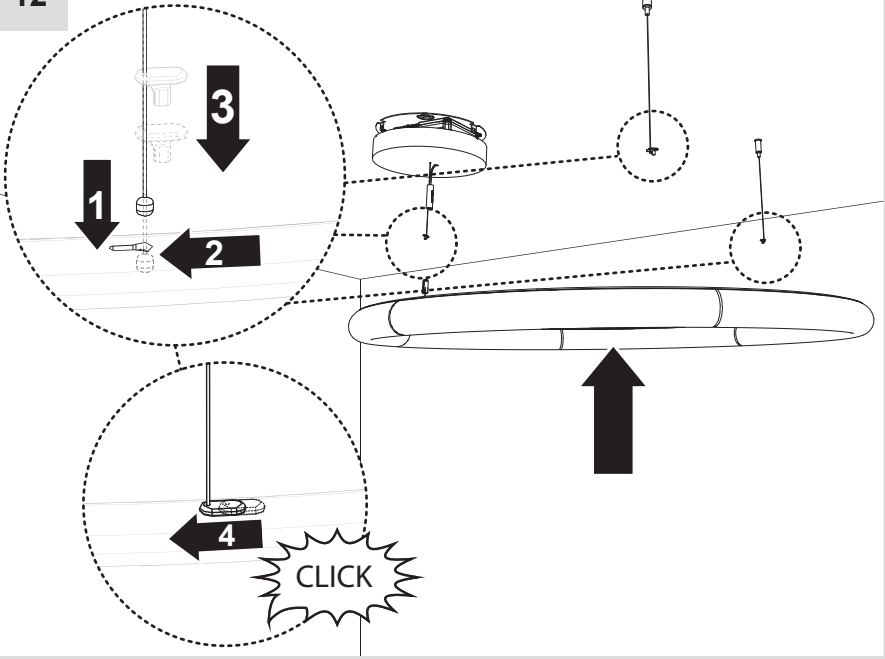
120-277 V

 1-10 V dimming control
 Dimmable 1-10 V
 Regulable mediante control 1-10 V
**11c**

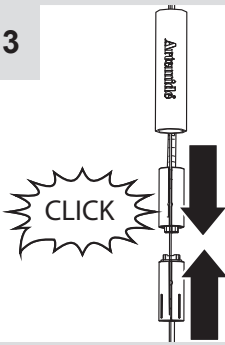
120 V

 Phase cut
 Coupure de phase
 Corte de fase


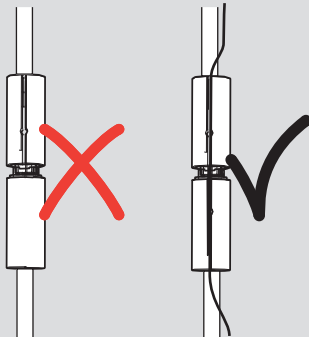
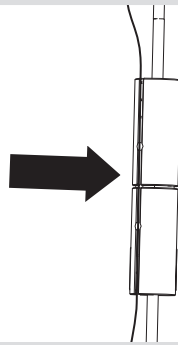
12



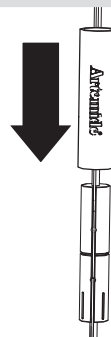
13



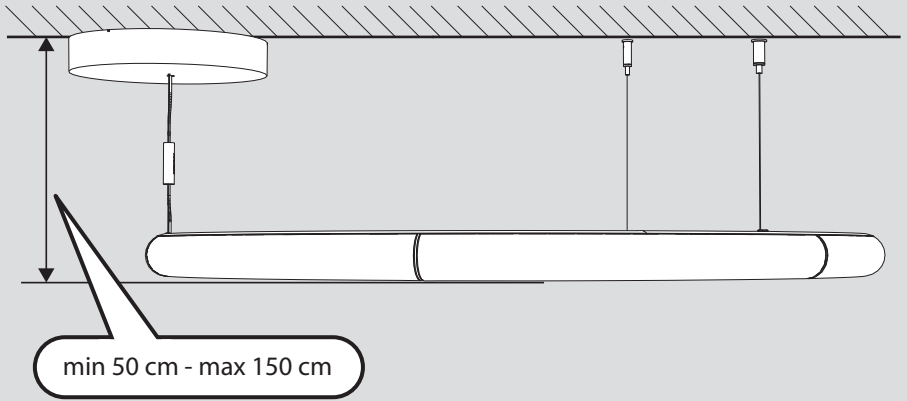
14



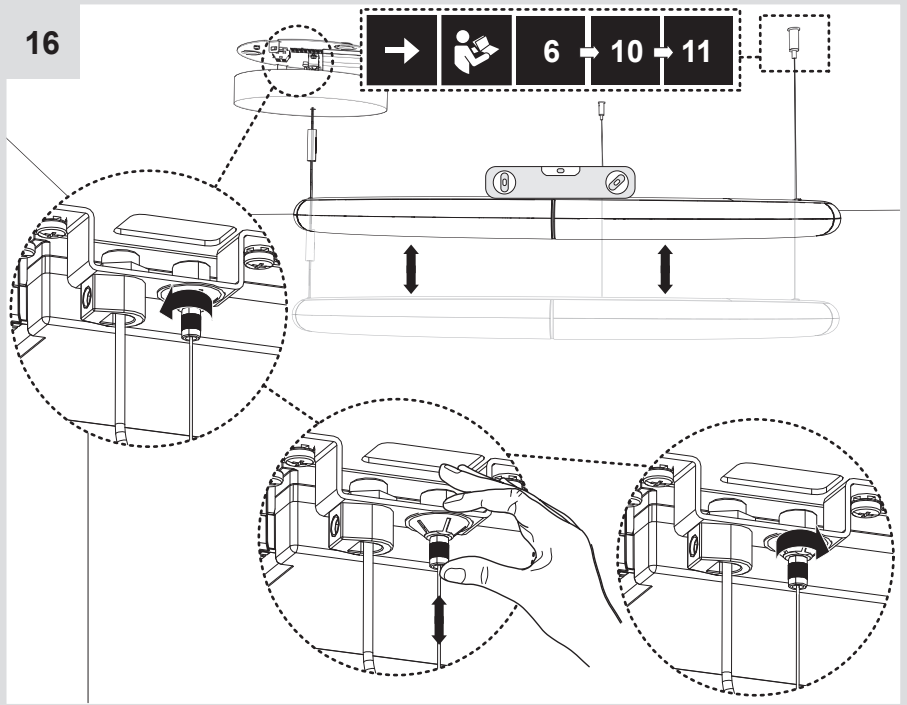
15



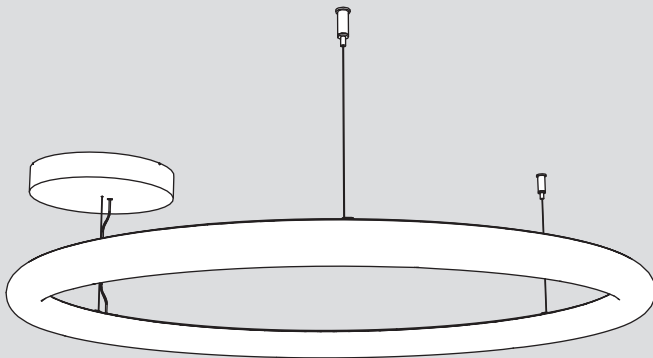
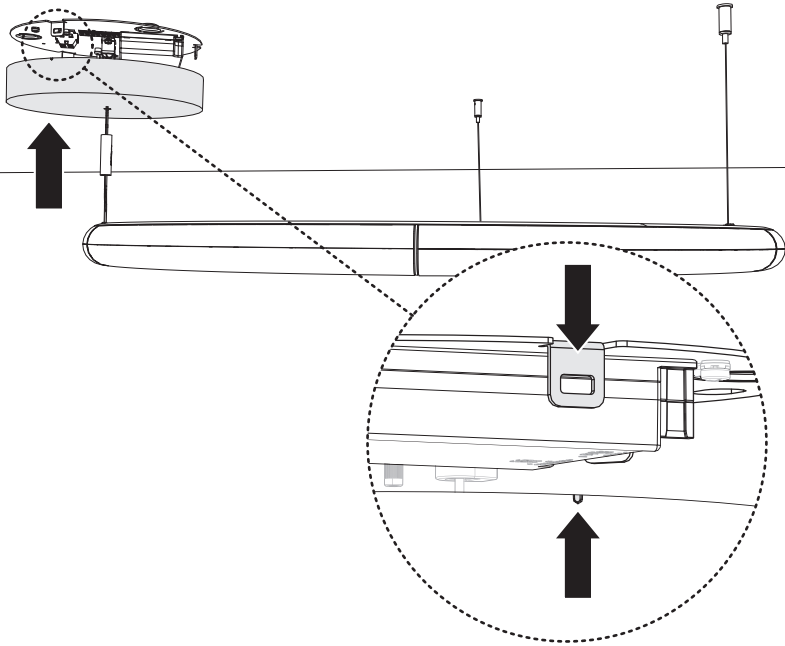
i

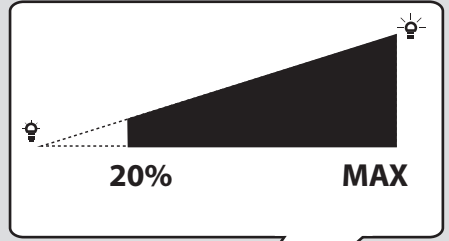


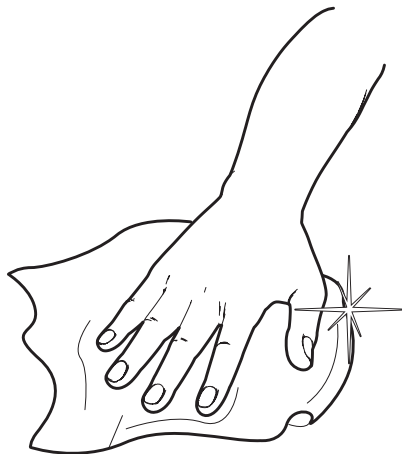
16



17







Artemide®



Artemide

via Bergamo, 18
20010 Pregnana M.se (MI)
ITALIA

tel. +39 02 935 181
fax +39 02 935 90 254
fax +39 02 935 90 496

www.artemide.com

VAT IT00846890150

Artemide Inc.

250 Karin Lane
Hicksville, NY 11801

Tel. 631 694 9292
Toll Free 1-877-Art-9111
Fax 631 694 9275

www.artemide.net

Artemide Ltée/Ltd.

11105 rue Renaude Lapointe
Montréal, Québec H1J 2T4

Tel. 514 323 6537
Toll Free 888 777 2783
Fax 514 323 8864

www.artemide.net

cod. Y513000875