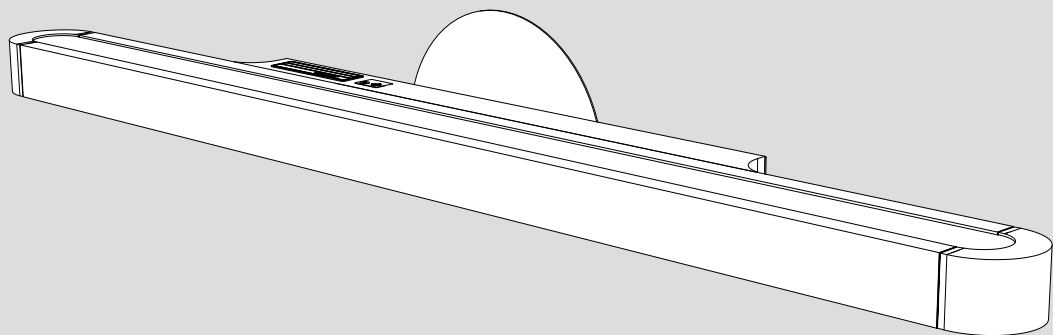


# Artemide®

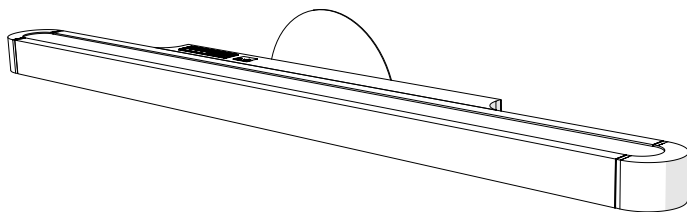
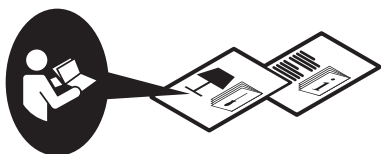
## Talo

design  
N. Poulton

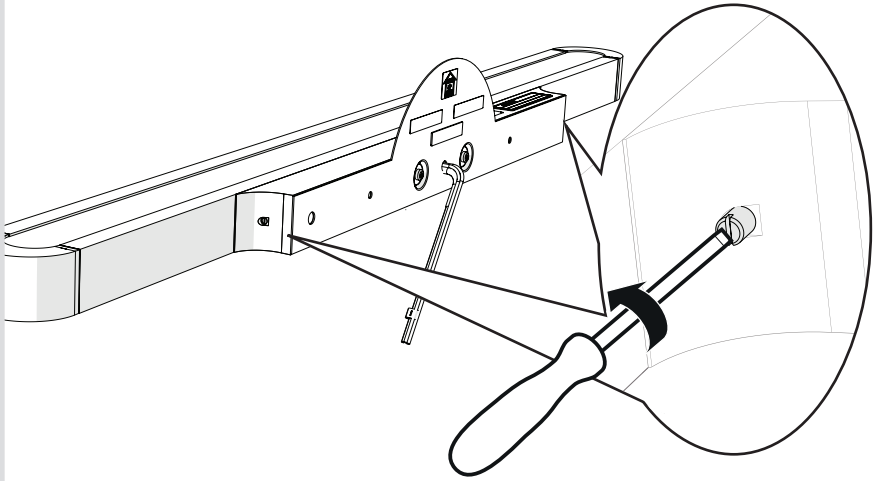




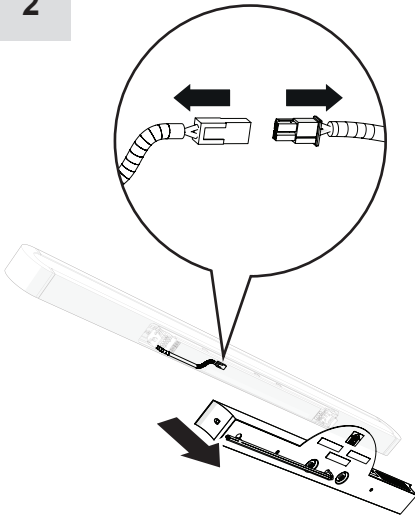
i



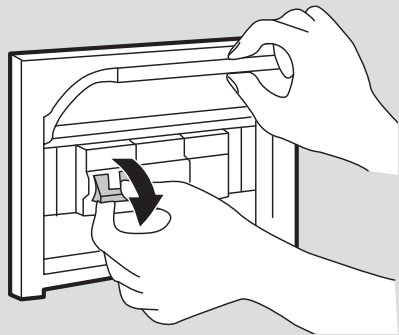
1



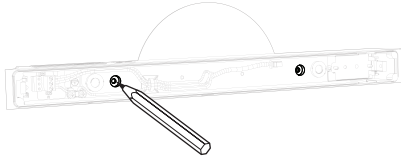
2



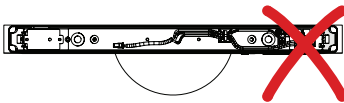
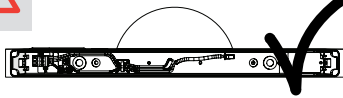
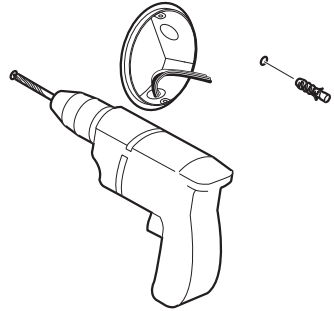
Only 1-10 V dimming control  
Dimmable 1-10 V seulement  
Únicamente regulable mediante control 1-10V



3



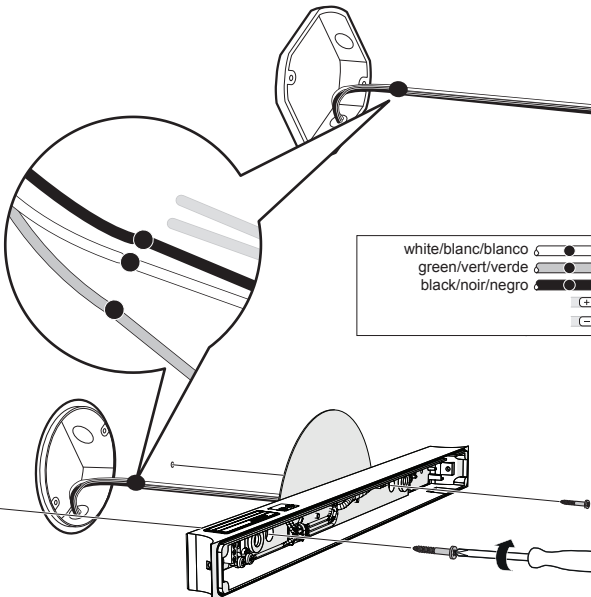
4



5a



For voltage refer to lamp driver  
 Pour la tension, se référer au driver de la lampe  
 Para el voltaje consultar el alimentador de la lámpara



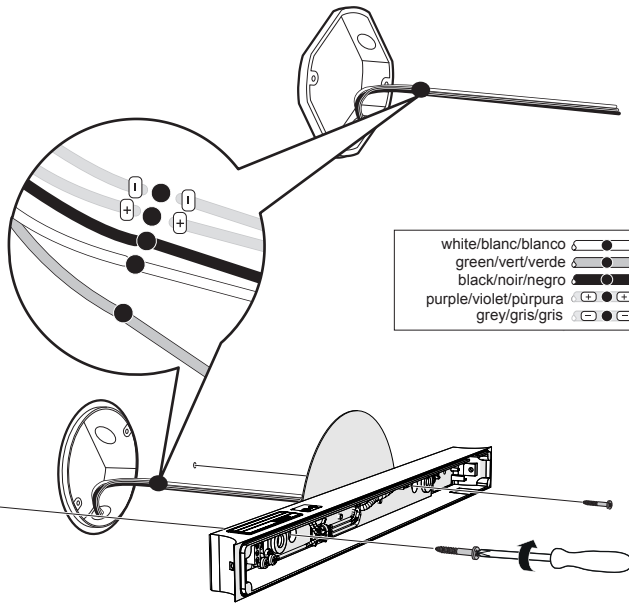
- |                    |  |                          |
|--------------------|--|--------------------------|
| white/blanc/blanco |  | white/blanc/blanco       |
| green/vert/verde   |  | green/vert/verde         |
| black/noir/negro   |  | black/noir/negro         |
|                    |  | transparent/transparents |
|                    |  | transparent/transparents |

5b



120-277 V

1-10 V dimming control  
Dimmable 1-10 V  
Regulable mediante control 1-10 V



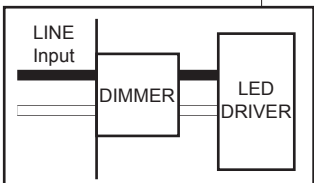
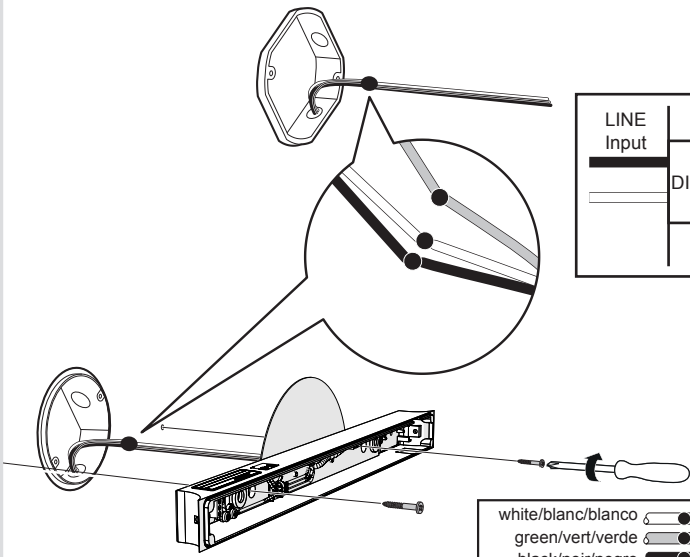
white/blanc/blanco	○ ● ○	white/blanc/blanco
green/vert/verde	○ ● ○	green/vert/verde
black/noir/negro	○ ● ○	black/noir/negro
purple/violet/pùrpura	○ ● ○	transparent/transparents
grey/gris/gris	○ ● ○	transparent/transparents

5c

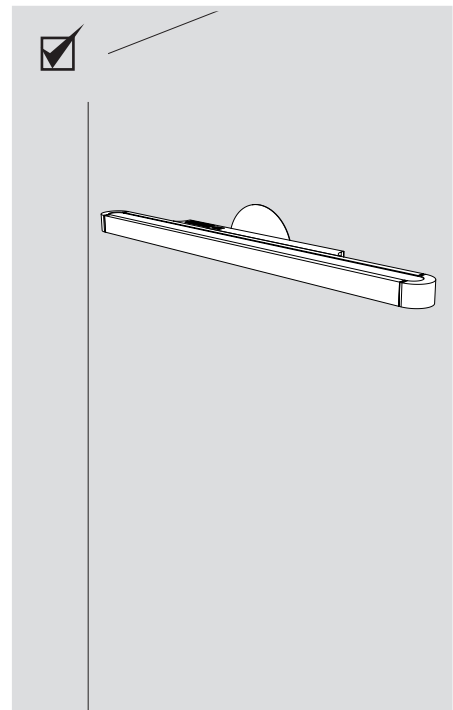
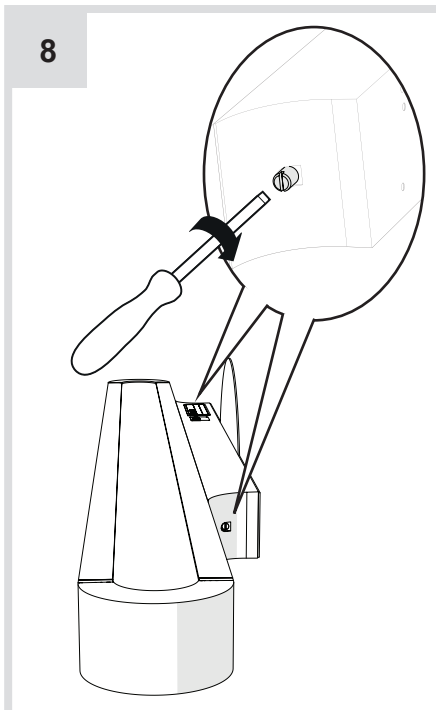
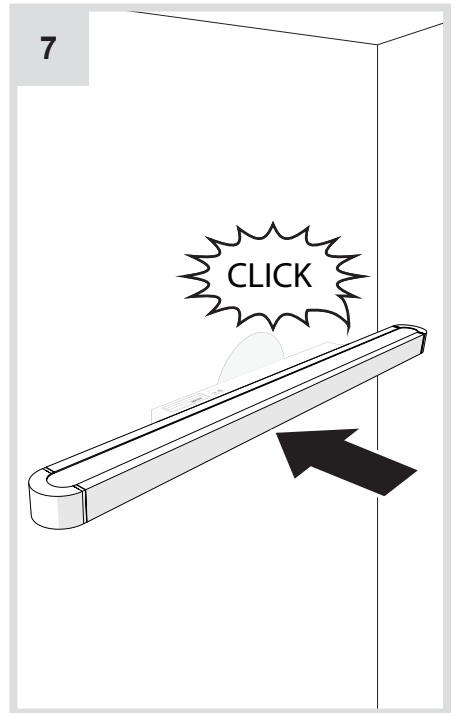
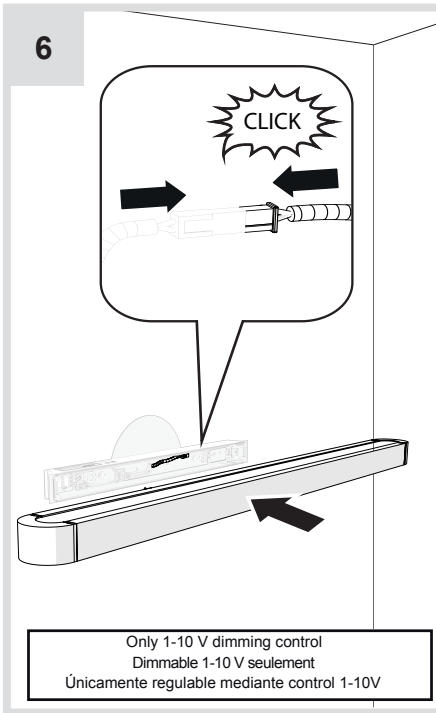


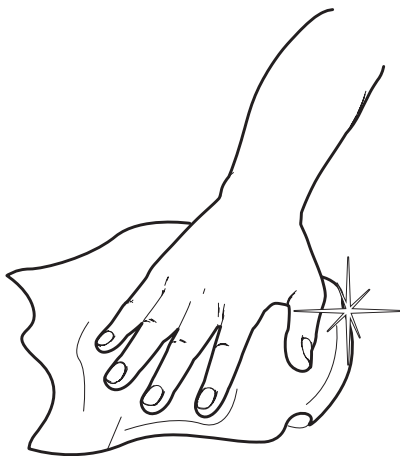
120 V

Phase cut  
Coupure de phase  
Corte de fase



white/blanc/blanco	○ ● ○	white/blanc/blanco
green/vert/verde	○ ● ○	green/vert/verde
black/noir/negro	○ ● ○	black/noir/negro





# Artemide®



## **Artemide**

via Bergamo, 18  
20010 Pregnana M.se (MI)  
ITALIA

tel. +39 02 935 181  
fax +39 02 935 90 254  
fax +39 02 935 90 496

[www.artemide.com](http://www.artemide.com)

VAT IT00846890150

## **Artemide Inc.**

250 Karin Lane  
Hicksville, NY 11801

Tel. 631 694 9292  
Toll Free 1-877-Art-9111  
Fax 631 694 9275

[www.artemide.net](http://www.artemide.net)

## **Artemide Ltée/Ltd.**

11105 rue Renaude Lapointe  
Montréal, Québec H1J 2T4

Tel. 514 323 6537  
Toll Free 888 777 2783  
Fax 514 323 8864

[www.artemide.net](http://www.artemide.net)

cod. Y513000263B