

# Unterlinden suspension 2700K bronze

## SPECIFICATIONS

1936W18A



### Design By

Herzog & De Meuron

### Collection



Design



### Specifications

Delivered lumens	615lm
Light output ratio	87.86lm/W
Power consumption	7W
Led type	6W C.O.B.*
CCT (Correlated Color Temperature)	2700K
CRI (Color Rendering Index)	>90
Life expectancy	50000Hrs
Control type	On/Off
Input Voltage	120V
Driver	TCl - 1 x DC-6W-350MA-STM/U

### Colors & Finishes

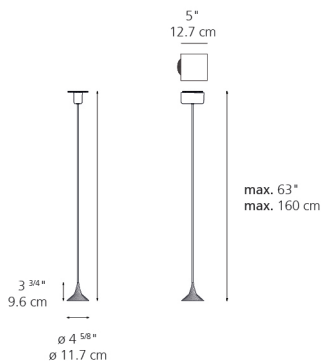
-  Bronze (Diffuser)
-  White (Cord & Canopy)

### Materials

- Body in die-cast bronze
- Canopy in technopolymer

### Features & Accessories

### Dimensions



### Packaging

1 Box

1 x 12-11/16" x 8-3/8" x 5-3/16" / 2.65 lbs - 32 cm x 21 cm x 13 cm / 1.2 kg

### Light distribution

Direct

### Luminaire weight

1.76 lbs / .8 kg

### Warranty

5 year limited warranty