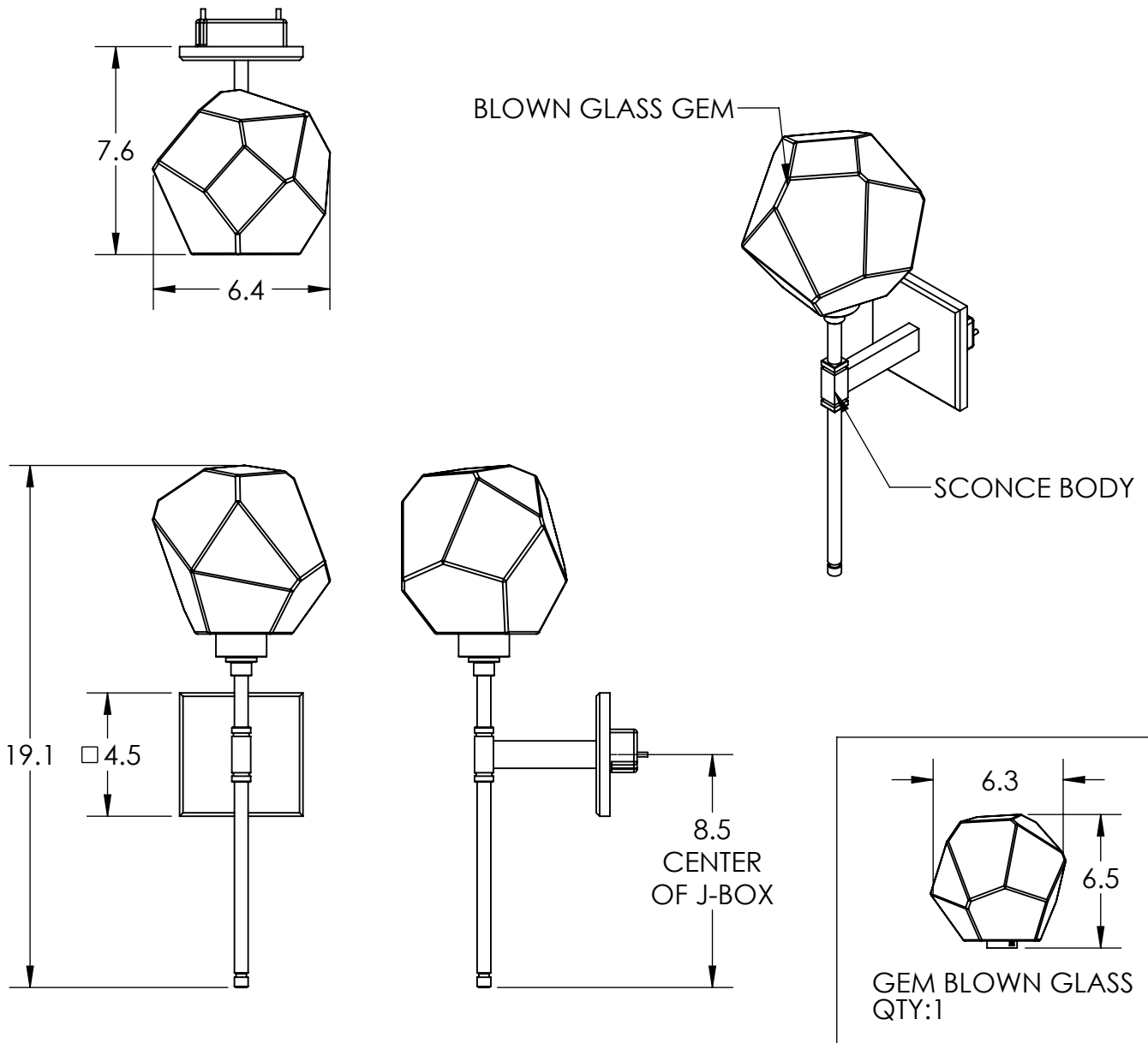


Collection: Gem

Product #: IDB0039-08



**\*\*NOTE\*\***  
 DRIVER TO BE INSTALLED IN JUNCTION BOX.  
 MINIMUM SIZE J-BOX REQUIRED IS  
 4" L X 4" W X 1.5" D

All dimensions are shown in inches unless otherwise stated.

Visit [hammertonstudio.com](http://hammertonstudio.com) for product options and specifications.

3/23/2022 ©

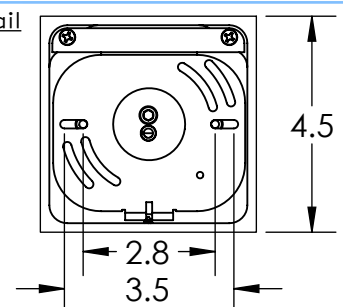
Mounting Packet: N	Weight(lbs.): 5	Electrical Type: LED	CCT: 2700K/3000K
UL Location: DRY		Elec. Qty: 1	Wattage: 5.2 Voltage: 120
Finish: SEE WEB SITE FOR OPTIONS		Source Lumens: Up: 340	Down: N/A
Top Diffuser: CLOSED GLASS		Dimmable: Forward/Reverse Phase	or 0-10V To 1%
Bottom Diffuser: CLOSED METAL		CRI: 93+	Power Factor: >0.9

All fixtures created by Hammerton are handcrafted by artisans. Dimensions may vary up to 7/8".

© Copyright 2022. All rights in design, detail or invention of this drawing are reserved as the property of Hammerton. Any imitation or adaptation without written consent is strictly prohibited.

Hammerton Inc. 217 Wright Brothers Dr. Salt Lake City, UT 84116 (801)973-8095

Mounting Detail



MOUNTS DIRECTLY TO J-BOX