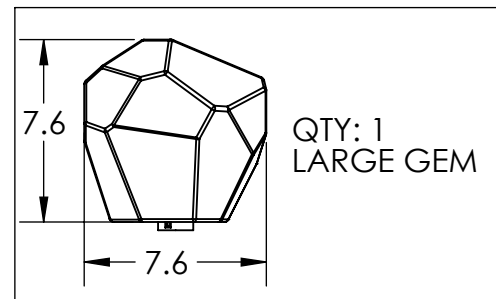
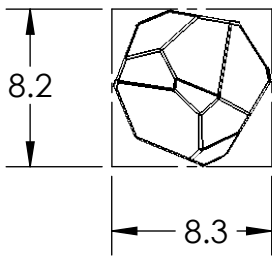
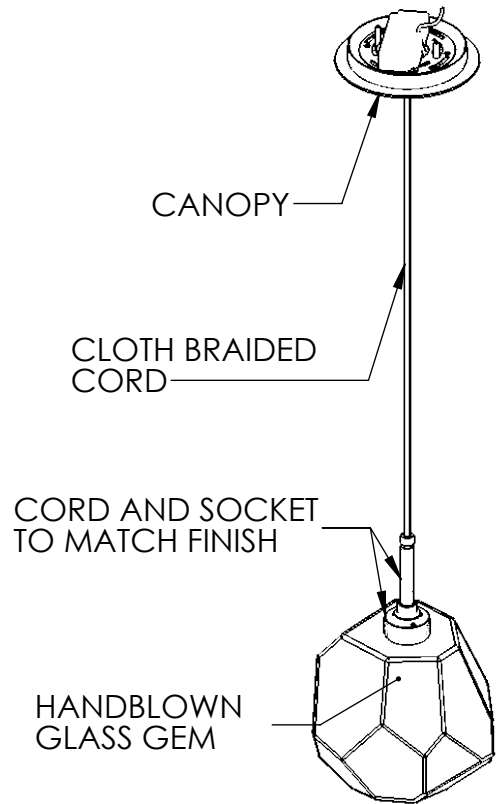
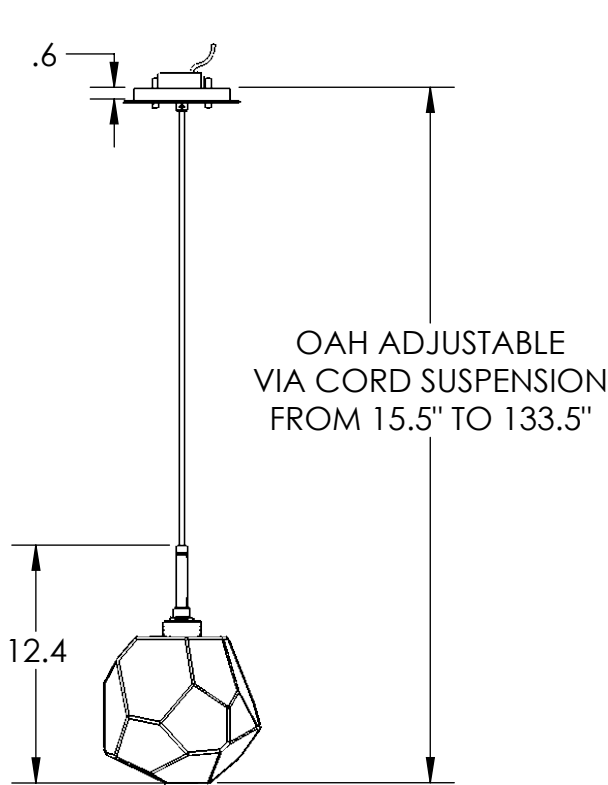


Collection: GEM

Product #: LAB0039-01



**** NOTE****
DRIVER TO BE INSTALLED IN J-BOX.
MINIMUM SIZE OF J-BOX REQUIRED IS
4" L x 4" W x 1.5" H

All dimensions are shown in inches unless otherwise stated.

Visit hammertonstudio.com for product options and specifications.

10/25/2022 ©

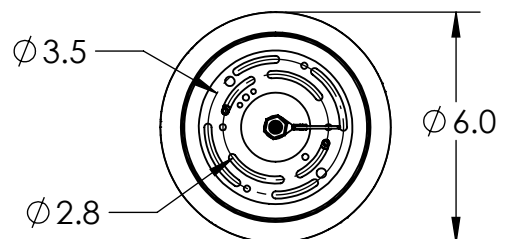
Mounting Packet: Y	Weight(lbs.): 5	Electrical Type: LED	CCT: 2700 K/3000K
UL Location: DRY	Elec. Qty: 1	Wattage: 5.2	Voltage: 120
Finish: SEE WEB SITE FOR OPTIONS	Source Lumens:	Up: N/A	Down: 420
Top Diffuser: CLOSED	Forward/Reverse Phase Dimmable To 1%		
Bottom Diffuser: CLOSED GLASS	CRI: 93+	Power Factor: >0.9	

All fixtures created by Hammerton are handcrafted by artisans. Dimensions may vary up to 7/8".

© Copyright 2022. All rights in design, detail or invention of this drawing are reserved as the property of Hammerton. Any imitation or adaptation without written consent is strictly prohibited.

Hammerton Inc. 217 Wright Brothers Dr. Salt Lake City, UT 84116 (801)973-8095

Canopy Mounting Detail



MOUNTS DIRECTLY TO J-BOX