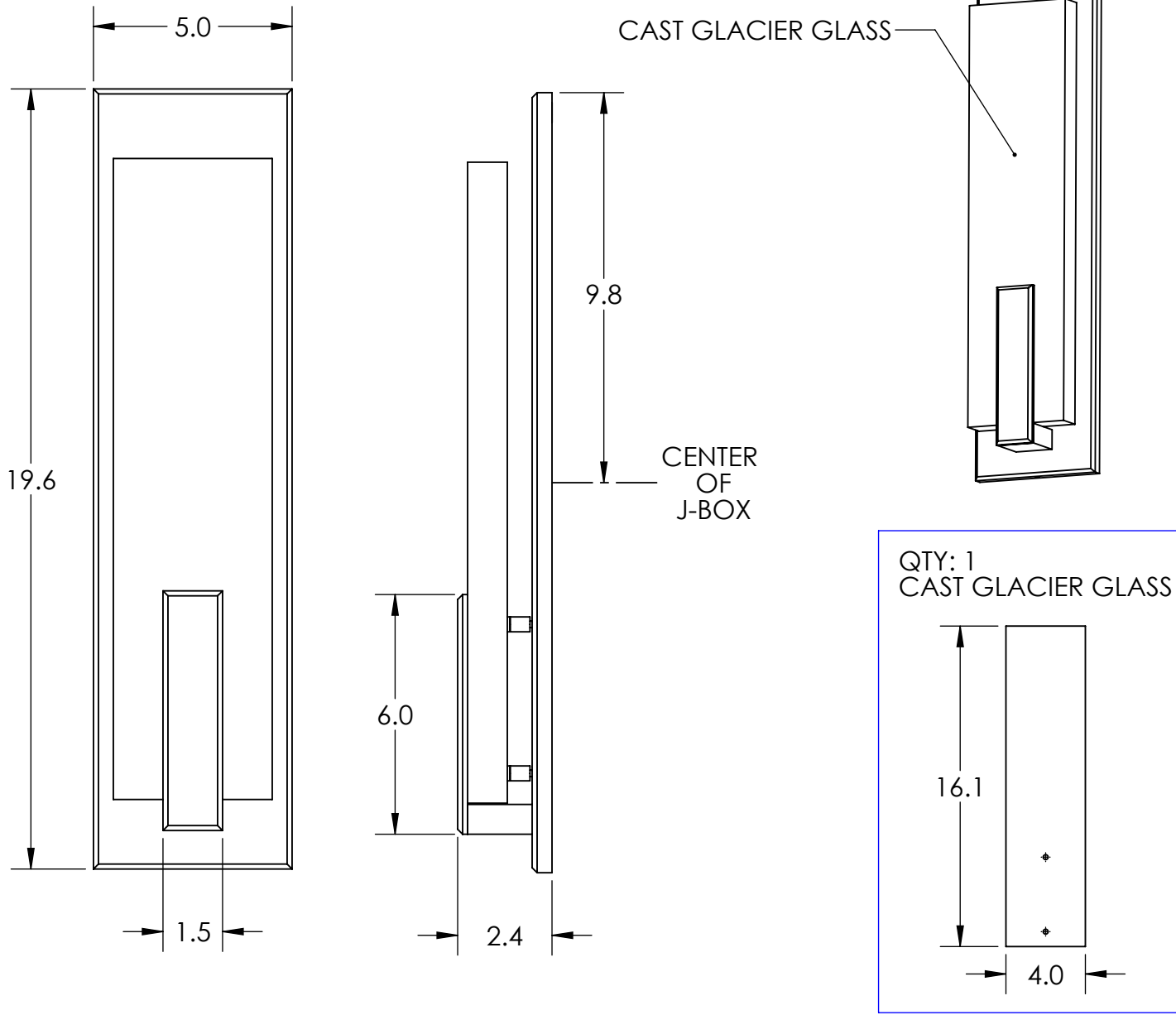


Collection: GLACIER

Product #: IDB0061-19



QTY: 1
CAST GLACIER GLASS

ADA COMPLIANT

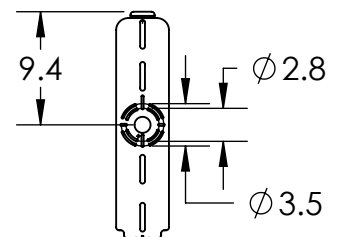
All dimensions are shown in inches unless otherwise stated. Visit hammertonstudio.com for product options.

**** NOTE****
DRIVER TO BE INSTALLED IN J-BOX.
MINIMUM SIZE OF J-BOX REQUIRED IS
4" L x 4" W x 1.5" H

3/23/22 (A)

Mounting Packet: N	Weight(lbs.): 9	Electrical Type: LED	CCT: 2700K/3000K
UL Location: DRY	Elec. Qty: 1	Wattage: 5.2	Voltage: 120
Finish: SEE WEB SITE FOR OPTIONS	Source Lumens: Ambient: 340	Down:---	
Top Diffuser: N/A	Dimmable: Forward/Reverse Phase To 1%		
Bottom Diffuser: N/A	CRI: 93+	Power Factor: >0.9	
All fixtures created by Hammerton are handcrafted by artisans. Dimensions may vary up to 7/8".			
© Copyright 2022. All rights in design, detail or invention of this drawing are reserved as the property of Hammerton. Any imitation or adaptation without written consent is strictly prohibited.			
Hammerton Inc. 217 Wright Brothers Dr. Salt Lake City, UT 84116 (801)973-8095			

Mounting Detail



MOUNTS DIRECTLY TO J-BOX