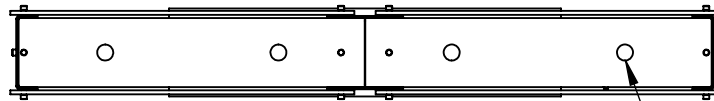
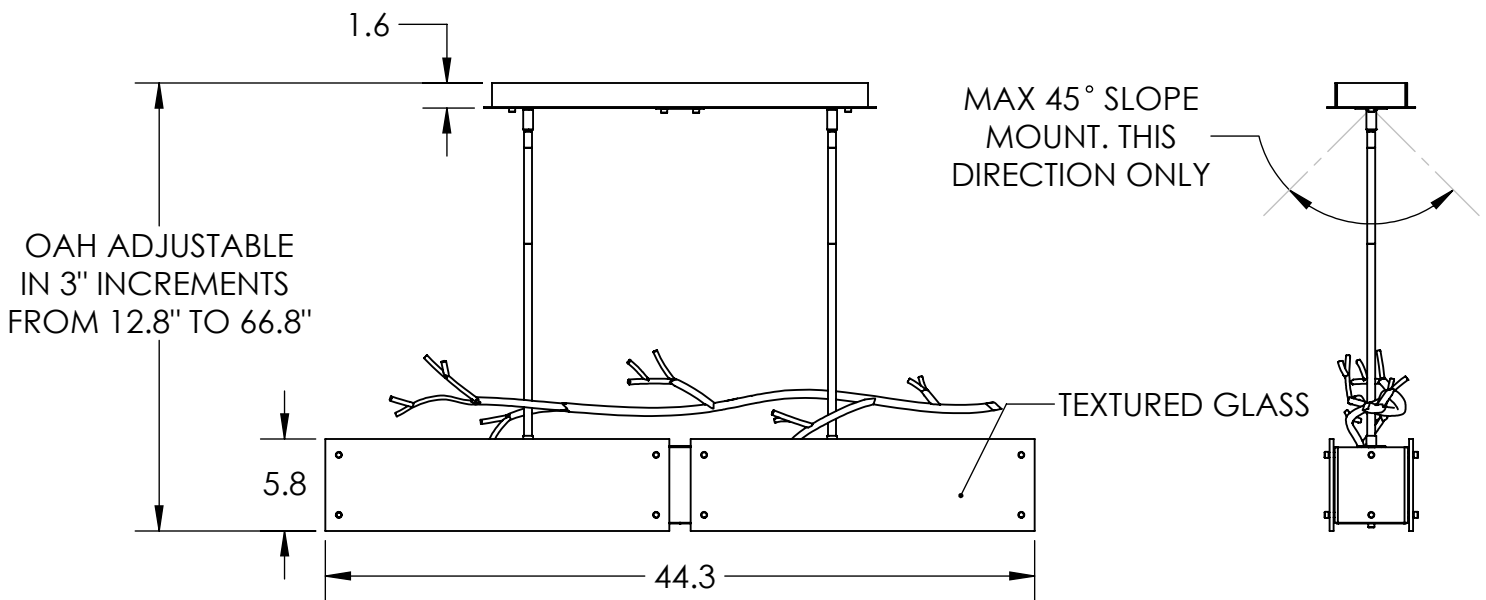
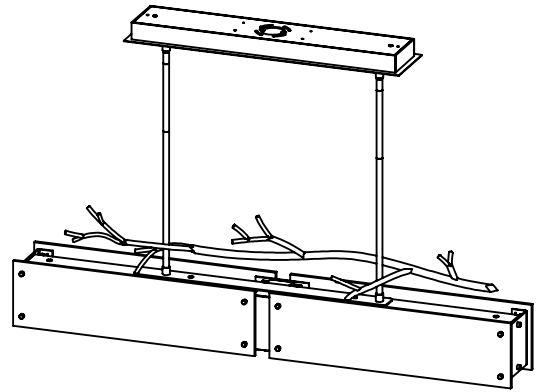


Collection: IRONWOOD

Product #: PLB0032-0A-L1

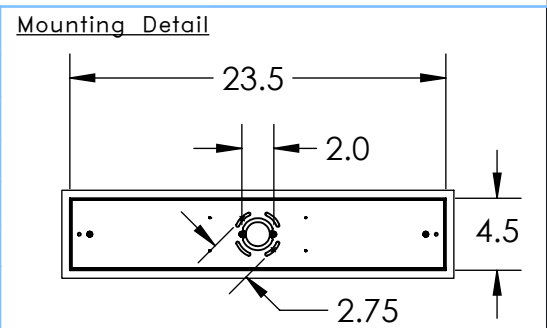


FROSTED GLASS DIFFUSER

Visit hammertonstudio.com for product options and specifications.

10/20/2017 (A)

Mounting Packet: X	Weight(lbs.): 40	Electrical Type: LED	CCT: 2700 K
UL Location: DRY	Elec. Qty: 12	Wattage: 41	Voltage: 120
Finish: SEE WEB SITE FOR OPTIONS	Lumens:	Ambient: 1440	Down: 1370
Top Diffuser: OPEN	Dimmable: Forward/Reverse Phase To 1%		
Bottom Diffuser: FROSTED GLASS	CRI: 93+	Power Factor: >0.9	



MOUNTS TO J-BOX AND CEILING

All fixtures created by Hammerton are handcrafted by artisans. Dimensions may vary up to 7/8".

© Copyright 2016. All rights in design, detail or invention of this drawing are reserved as the property of Hammerton. Any imitation or adaptation without written consent is strictly prohibited.

Hammerton Inc. 217 Wright Brothers Dr. Salt Lake City, UT 84116 (801)973-8095