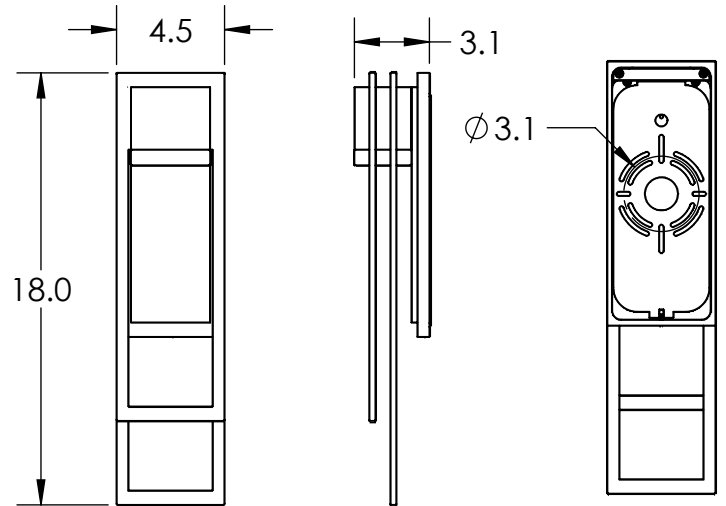


All dimensions are shown in inches unless otherwise stated.



Mounting Method: MOUNTS TO J-BOX

PRODUCT DESCRIPTION

The Cascade outdoor sconce combines a crisp linear design with eye-catching details. An intriguing artisan glass diffuser casts 3,000K LED light downward through cascading rectangles of precision-cut metalwork. Aluminum construction, marine grade pre-treatment and AAMA 2604 powder coat finishes ensure long lasting beauty in all climates.

The Cascade sconce is certified as Dark Sky Compliant by the International Dark Sky Association (IDA) and includes a lifetime warranty to the original purchaser.

PRODUCT SPECIFICATION

Construction: Aluminum Body With Cast Glass Diffuser

Finish Options: **AG** **SB** **TB**

Glass Types: Chilled Cast

Suspension Method: Mount Wall

Weight(lbs.): 6

UL Rating: Outdoor/Wet

Top Diffuser: Closed Metal

Bottom Diffuser: Closed Glass

Light Source: LED

Electrical Qty: 1

Wattage (Watts): 4

Voltage (Volts): 120

Source Lumens: 400

Dimming: Forward/ Reverse Phase

CCT: 3000k

Driver Quantity & Location: N/A

CRI: 93+

Power Factor: >0.9

SCAN FOR MORE INFORMATION

Notes:

GENERAL NOTES:

Visit studio.hammerton.com to read about our Lifetime Limited Warranty.

All Hammerton fixtures are handcrafted by artisans. Subtle imperfections reflect the mark of the artisan and should be expected in any handcrafted product. Dimensions may vary up to 7/8".

Rev **A** 1/21/2022