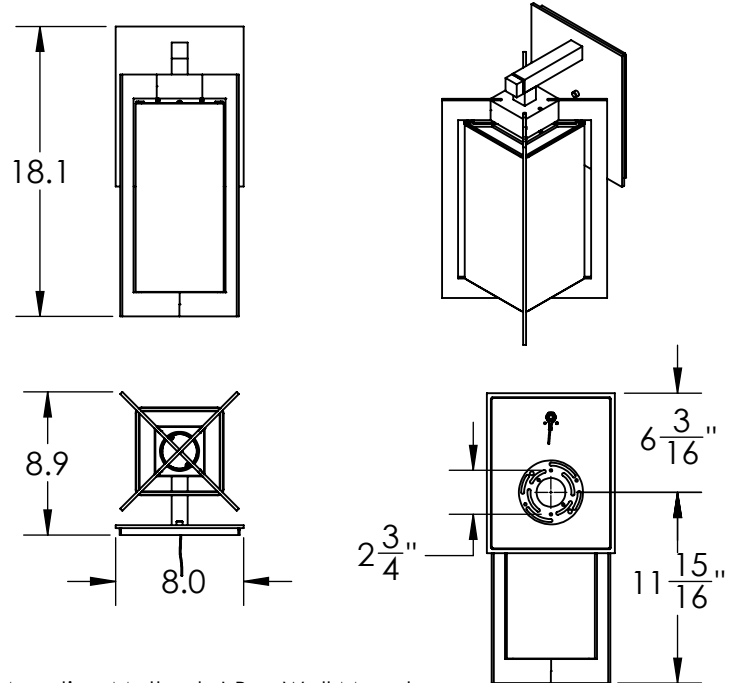


All dimensions are shown in inches unless otherwise stated.



Mounting Method: J-Box Wall Mount

**PRODUCT DESCRIPTION**

This contemporary lantern design combines a straightforward silhouette with eye-pleasing details. AC LED lamping minimizes energy consumption and fixture maintenance. Choose from three AAMA 2604-rated all-climate finishes and two Chilled glass lens options.

The Quad Lantern is certified as Dark Sky Compliant by the International Dark Sky Association (IDA), and it includes a lifetime warranty to the original purchaser.

SCAN FOR MORE INFORMATION

**PRODUCT SPECIFICATION**

Construction: Aluminum Body With Blown Glass

Finish Options: **AG** **TB** **SB**

Glass Types: **HC** **HO**

Suspension Method: Wall Mount

Weight(lbs.): 11

UL Rating: Wet

Top Diffuser: Closed Metal

Bottom Diffuser: Open

Light Source: LED

Electrical Qty: 1

Wattage (Watts): 4.5

Voltage (Volts): 120

Source Lumens: 400

Dimming: ELV to 1%

CCT: 3000K

Driver Quantity & Location: N/A

CRI: 93+

Power Factor: >0.9

Notes:

**GENERAL NOTES:**

Visit [studio.hammerton.com](http://studio.hammerton.com) to read about our Lifetime Limited Warranty.

All Hammerton fixtures are handcrafted by artisans. Subtle imperfections reflect the mark of the artisan and should be expected in any handcrafted product. Dimensions may vary up to 7/8".

Rev **(B)** 2/21/2022