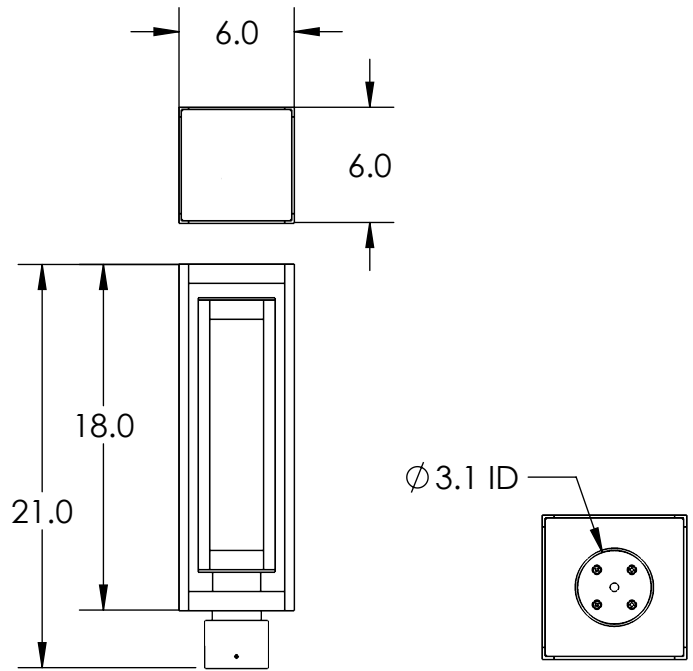


All dimensions are shown in inches unless otherwise stated.



Mounting Method: Mounts Directly To Post

**PRODUCT DESCRIPTION**

Our best-selling outdoor fixture style, this contemporary lantern sconce features a nested box design with an open outer frame and a frosted glass inner lens. AC LED lamping minimizes energy consumption and fixture maintenance.

The Double Box postmount is offered in three AAMA 2604-rated finishes that withstand UV and corrosion resistance in coastal and other harsh climates, and it includes a lifetime warranty to the original purchaser.



SCAN FOR MORE INFORMATION

**PRODUCT SPECIFICATION**

Construction: Aluminum Body With Glass Panels

Finish Options: **AG** **SB** **TB**

Glass Types: Frosted Seeded

Suspension Method: Post Mount

Weight(lbs.): 8

UL Rating: Outdoor/Wet

Top Diffuser: Closed Metal

Bottom Diffuser: Closed Metal

Light Source: LED

Electrical Qty: 1

Wattage (Watts): 4

Voltage (Volts): 120

Source Lumens: 400

Dimming: Forward/Reverse Phase

CCT: 3000K

Driver Quantity & Location: N/A

CRI: 93+

Power Factor: >0.9

Notes:

**GENERAL NOTES:**

Visit [studio.hammerton.com](http://studio.hammerton.com) to read about our Lifetime Limited Warranty.

All Hammerton fixtures are handcrafted by artisans. Subtle imperfections reflect the mark of the artisan and should be expected in any handcrafted product. Dimensions may vary up to 7/8".