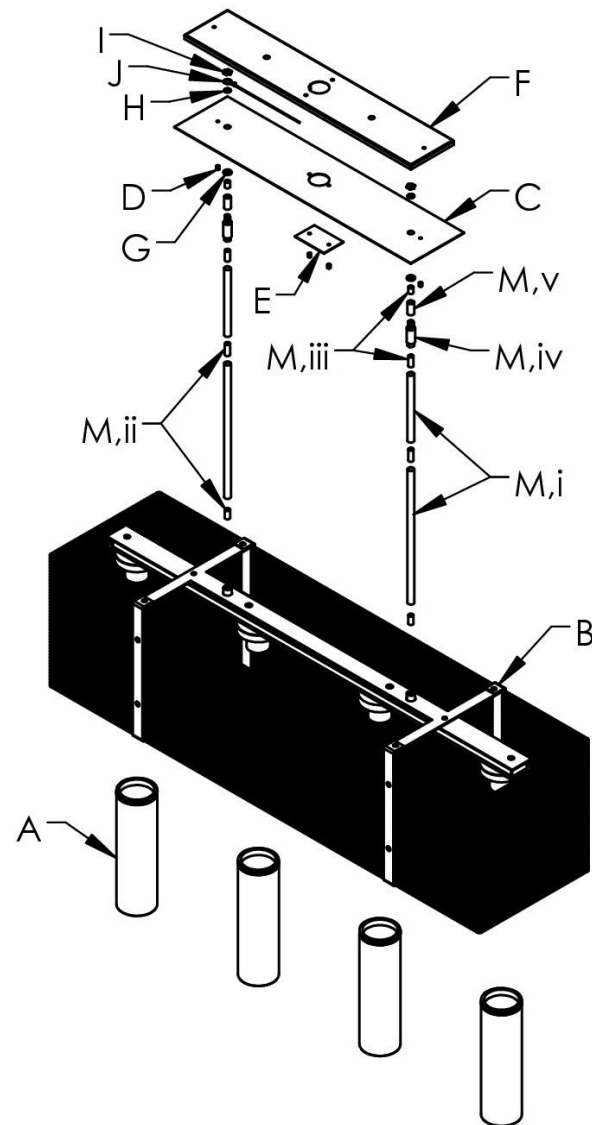


Included Components

- A. Frosted glass cylinders (qty:4 - only included if purchased with glass option)
- B. Light bar assembly
- C. Canopy Face Plate
- D. Cylinder knobs (qty:4)
- E. Wiring access cover
- F. Canopy back plate
- G. Check Rings (qty:2)
- H. Lock Washers (qty:2)
- I. IP Nuts (qty:2)
- J. Ground Lug
- K. Loctite® Thread locker 262 packet (not shown)
- L. Mounting instructions (not shown)
- M. Threaded Rod Assembly (qty:2)
 - i. Threaded Rods (Standard Set— 3", 6", 12", 12", 24")
 - ii. 1" IPs (qty:5)
 - iii. 7/8" IP (qty:2)
 - iv. 90 Degree Swivel
 - v. 1" Long Straight Coupler

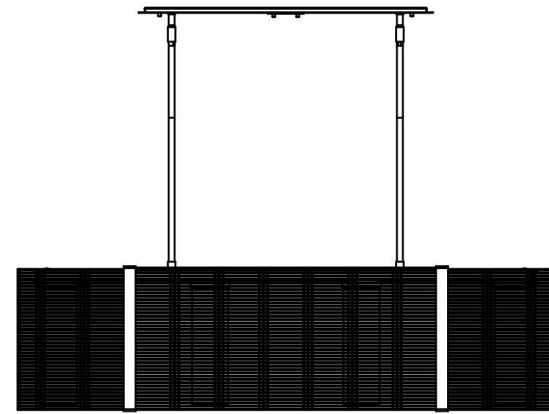
Required Tools

1. Philips screw driver (not provided)
2. Wire cutters/strippers (not provided)
3. Measuring tape (not provided)

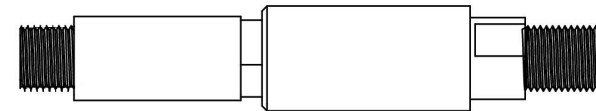


Step 1: Test Fit Threaded Rods with Light Fixture and Canopy to determine Threaded Rod configuration to reach desired overall height. The wire will need to pass through the rods into the canopy.

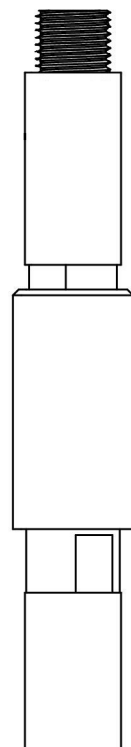
Note: The two shorter IPs (7/8") are used with the 90 degree swivel and 1" Straight Coupler. NOT BETWEEN THREADED RODS.



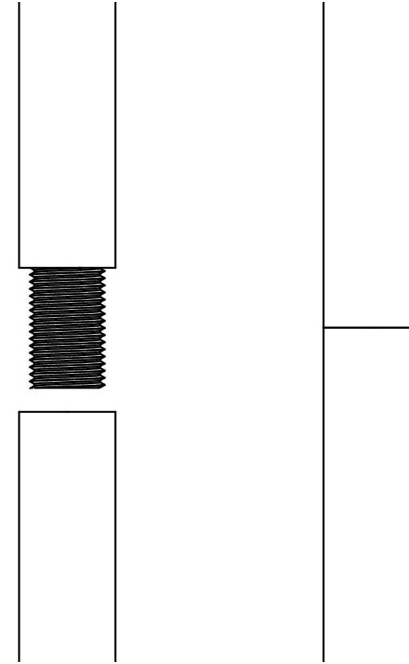
Step 2: Apply Loctite to the Male threads of the 90 degree swivel and thread that into the 1" Straight Coupler until bottomed out. Then apply Loctite to both 7/8" long IPs and thread them into both the 90 Degree Swivel and the Straight coupler until the IPs Bottom out.



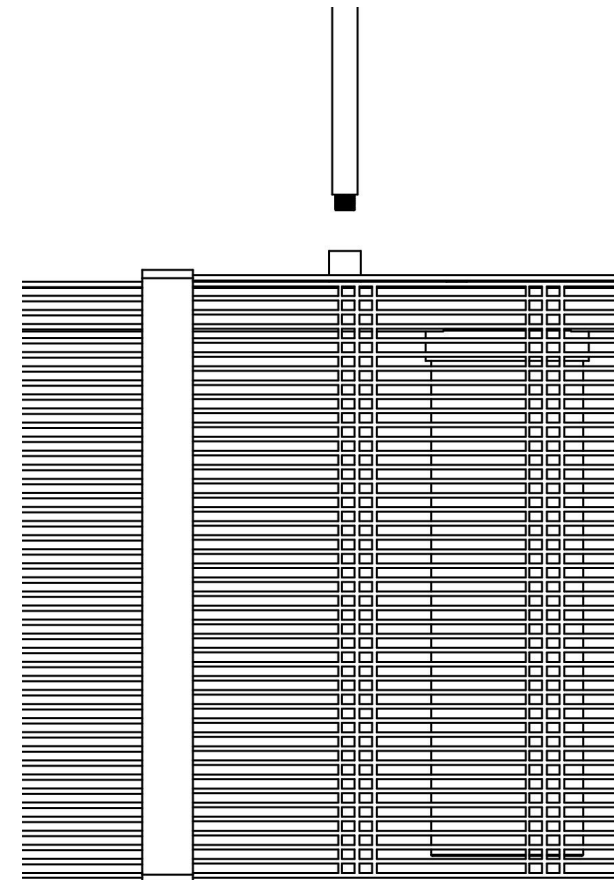
Step 3: Apply Loctite to the IP inserted into the 90 Degree Swivel. Screw the top rod onto the IP until it bottoms out against the 90 Degree Swivel.



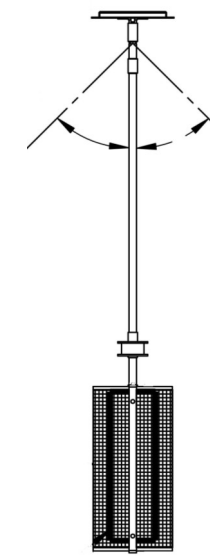
Step 4: Apply Loctite to one side of each IP used with the Threaded Rods. Screw them into the rod until it bottoms out. Then apply Loctite to the other side and screw the second rod on until it bottoms out with the other rod.



Step 5: Before applying the Loctite on the last IP push the Wires from the Fixture through the whole Threaded Rod Assembly. Then apply Loctite to the last IP and screw it into the Coupler attached to the Light Fixture.



Step 6: Mount the canopy back plate to the ceiling and J-box following the included Mounting Instructions.

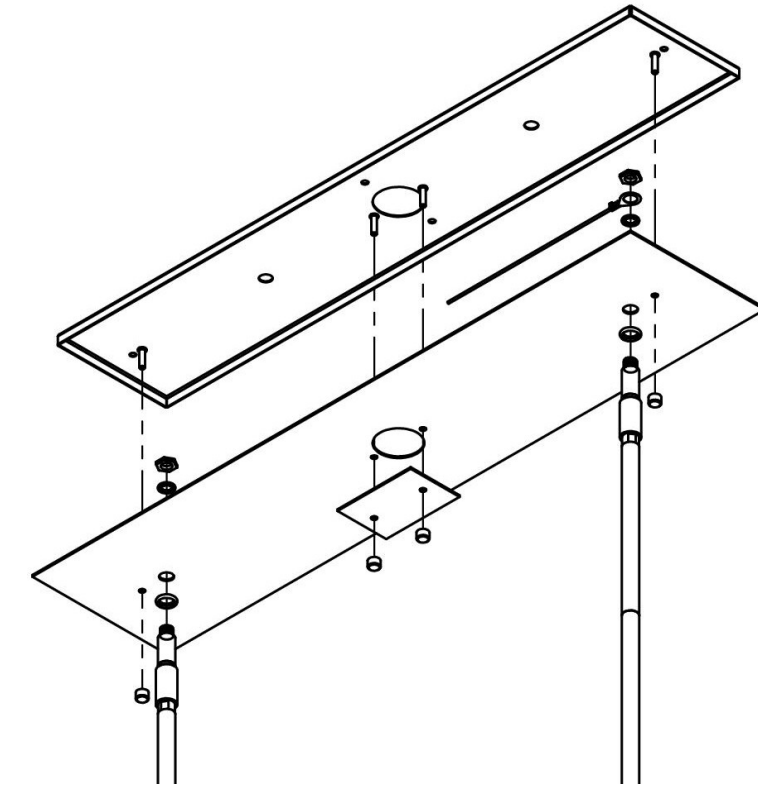


Step 7: Rotate the 90 Degree Swivels using the Flats by the Threaded Rods. The 90 degree Swivels should be lined up so that the light can be mounted on a ceiling that slopes perpendicular to the length of the light fixture.

THE GLASS SHOULD NOT BE INTALLED UNTIL AFTER THE FIXTURE IS FULLY INSTALLED. Your fixture can be mounted on a sloped ceiling but only in the direction perpendicular to the long direction of the light bar. Slope mount only up to 45°.

Example: PLB0019-43

Step 8: Attach the Canopy Face plate to the Rods by first placing the Check Rings, Face plate, and Lock Washers over the Rods. Place the Ground Lug over the rod that has the wire passing through it. Tighten the IP nuts ensuring that the Swivel does not rotate out of alignment. Pass the wires through the hole in the center of the Face plate.



Step 9: Attach the Fixture to the mounted Canopy Back plate by threading the cylinder knobs on the studs protruding from the back plate.

Step 10: Connect the wiring from the fixture to the junction box trimming back any unneeded wiring. Attach Wire Access Cover using cylinder knobs.

Step 11: If your fixture was purchased without the glass option, install the appropriate light bulbs according to the relamping Sticker. If your fixture was purchased with the glass option, install the appropriate light bulbs first, then attach the frosted glass cylinders by screwing the retainer ring end of the cylinder onto the threaded socket. DO NOT OVER TIGHTEN.

About Hammerton Studio

HAMMERTON STUDIO

In 2013, the Hammerton Studio brand was created to offer artisan-crafted, contemporary design solutions that are both versatile and accessible. Hammerton Studio fixtures add contemporary distinction to entries, great rooms and master suites, yet are cost-effective enough to use throughout any residential or commercial projects. Like all Hammerton fixtures, they are designed and fabricated in Salt Lake City, Utah using domestically sourced materials.

POWERFUL DESIGN

Since 1992, Hammerton has been known for extraordinary decorative lighting that is boldly designed, expertly rendered, perfectly proportioned and exquisitely detailed. Each fixture exudes a design aesthetic that is timeless and enduring, yet remarkably relevant.

UNCOMPROMISING CRAFTSMANSHIP

In addition to their exceptional metalworking and finishing expertise, Hammerton artisans share an aesthetic eye and a sculptural talent that define the difference between ordinary and extraordinary craftsmanship. Every fixture demonstrates its artisan's ability to elevate craft to an art form.

UNIQUE MATERIALS

Hammerton's recent acquisition of the Lightspann brand has added unparalleled strength in all types of artisan glass, including hand-blown, slumped, fused, and lampworked glass. The combination of Hammerton's traditional metalworking and Lightspann glass allows steel, woven mesh, fabric and glass to be combined in a manner which cannot be duplicated

A REPUTATION REFLECTED BY OUR CLIENTS

Hammerton fixtures are as extraordinary as the clients who purchase them, including Forbes 400 members, Fortune 500 leaders, award-winning entertainers, fashion and interior designers, sports legends, and leading luxury hospitality brands.

Hammerton
217 Wright Brothers Drive
Salt Lake City, UT
84116

801-973-8095
info@hammerton.com
www.hammerton.com

Warranty

ONE YEAR LIMITED WARRANTY

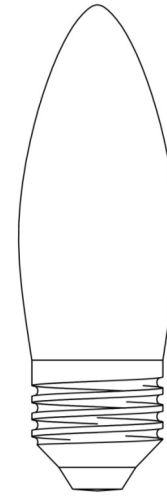
Hammerton, Inc. (Hammerton) warrants the original owner that this product will be free of defects in material or workmanship for the period of one year from the date of original purchase from Hammerton, if (i) the allegedly defective product has not been abused, misused or improperly maintained and or repaired during the warranty period, (ii) the defect is not caused by water damage/flooding, fire, explosion, earthquakes or similar phenomenon, and (iii) the defect is not caused by improper installation (unless installed by Hammerton).

In order to obtain warranty service, the user must first complete a warranty claims form. Hammerton will determine if the product will be inspected on site or returned to Hammerton. If after the inspection Hammerton finds that the product is defective as claimed, Hammerton will, at its option, repair or replace the product free of charge, or Hammerton may in its sole discretion, refund the purchase price. Hammerton warrants any replaced or repaired products for ninety days after shipment or through the end of the original warranty period, whichever is longer. All products or parts that are replaced become the property of Hammerton. No representative or employee of Hammerton is authorized to make any modification or addition to this limited warranty.

TO THE FULL EXTENT ALLOWED BY LAW, THE FOREGOING WARRANTY AND REMEDIES ARE EXCLUSIVE, AND HAMMERTON EXPRESSLY DISCLAIMS ALL OTHER WARRANTIES, EXPRESSED OR IMPLIED, INCLUDING WITHOUT LIMITATION THE IMPLIED WARRANTIES OF MERCHANTABILITY AND FITNESS FOR A PARTICULAR PURPOSE. TO THE FULL EXTENT ALLOWED BY LAW, HAMMERTON EXCLUDES AND DISCLAIMS LIABILITY, WHETHER BASED IN CONTRACT OR TORT (INCLUDING NEGLIGENCE FOR ANY CONSEQUENTIAL, INDIRECT INCIDENTAL OR SPECIAL DAMAGES OF ANY NATURE ARISING OUT OF THE SALE INSTALLATION, MAINTENANCE, USE OR FAILURE OF THIS PRODUCT, EVEN IF HAMMERTON HAS BEEN ADVISED OF THE POSSIBILITY OF SUCH DAMAGES IN ADVANCE, AND HAMMERTON LIMITS ITS LIABILITY TO REPLACEMENT, REPAIR OR REFUND OF THE PURCHASE PRICE PAID, AT HAMMERTON'S OPTION.) SOME STATES DO NOT ALLOW LIMITATIONS ON HOW LONG AN IMPLIED WARRANTY LASTS AND/OR DO NOT ALLOW THE EXCLUSION OR LIMITATION OF INCIDENTAL OR CONSEQUENTIAL DAMAGES, SO THE ABOVE LIMITATION ON IMPLIED WARRANTY AND INCIDENTAL OR CONSEQUENTIAL DAMAGES MAT NOT APPLY TO YOU. THIS WARRANTY GIVES YOU SPECIFIC LEGAL RIGHTS YOU MAY HAVE OTHER RIGHTS, WHICH VARY FROM STATE TO STATE

Lamping

If your fixture was purchased with the glass option, a Type B, Medium Base bulb is required. A classic Type A bulb will not allow the glass shade to mount in place. The specifications listed on the fixtures relamping sticker should be followed at all times.



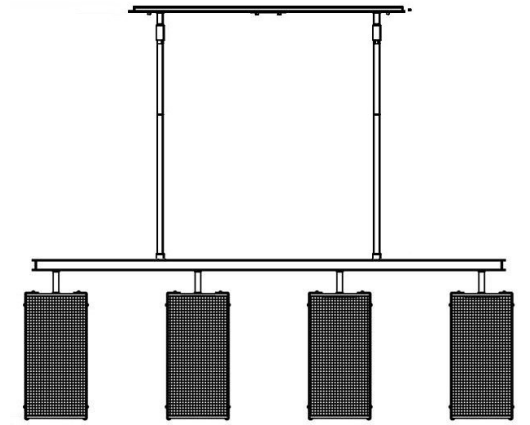
Type B , Medium Base Bulb
(not to scale)

HAMMERTONSTUDIO™

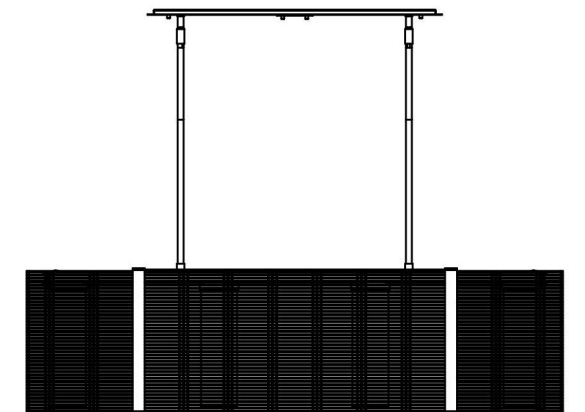
Assembly Instructions

PLB0019-43-XX-X

PLB0020-45-XX-X



PLB0019-43-XX-X. Uptown Dining



PLB0020-45-XX-X. Downtown Dining

WARNING: FAILURE TO INSTALL THIS FIXTURE PROPERLY MAY RESULT IN SERIOUS PERSONAL INJURY OR DEATH AND PROPERTY DAMAGE.

WARNING: MUST USE MANUFACTURER SPECIFIED BULB. USING ANY OTHER TYPE OR WATTAGE BULB MAY CAUSE DAMAGE TO THE FIXTURE AND CREATE A POTENTIAL FIRE HAZARD.

It is recommended that this product be installed by a licensed electrician.