



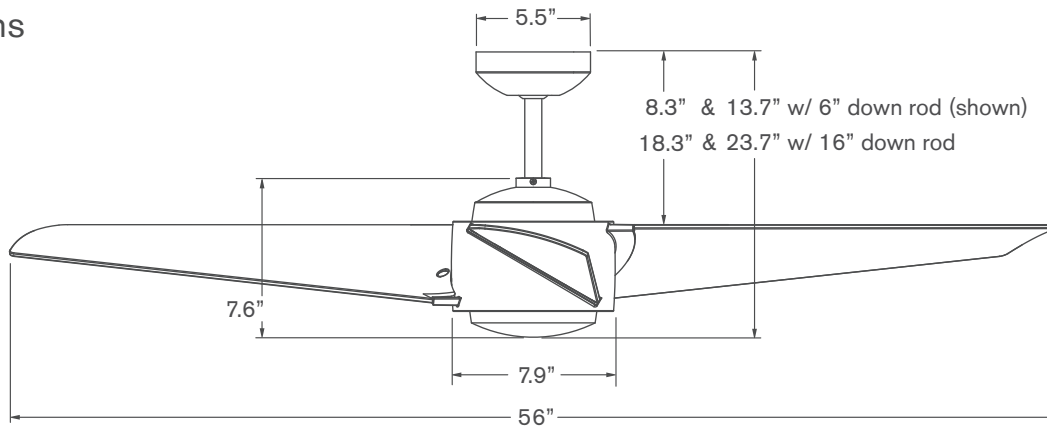
Ambit DC



Ambit DC > Configure item number from attributes below.

#AMB	Finish	Blade Span	Blade Color	Light Option	Control Option
-	-	-	-	-	-
▲	▲	▲	▲	▲	▲
MW	Matte White	56 56" Span	MW Matte White	NL No Light	WC Wall Control
MB	Matte Black		MB Matte Black	870 17W LED	RC Remote Control
SBMW	Satin Brass/ Matte White		EB Ebony		CC Wall/Remote Combo
SBMB	Satin Brass/ Matte Black		GY Graywash		
			MP Maple		
			MG Mahogany		
			WW Whitewash		

Dimensions



Specifications

- 6-speed, reversible DC motor
- Die cast aluminum construction
- 56" span, injection molded ABS blades (solid color or surface printed woodgrain)
- Includes 6" and 16" down rods (longer options also available)
- Optional LED light: 17W, 90 CRI, 3000K, 1530 lumens (dimmi-able) behind opal glass diffuser; adds 0.75" to length of fan; CA Title 24, JA8-2019 compliant
- Slope compatible up to 20°; adapter available for slopes up to 45°
- Designed by The Modern Fan Company
- ETL listed for dry and damp locations
- Weight: 16.0 lbs (7.26 kgs)

Performance Data

LOWEST SPEED

RPM: 50
CFM: 1,953
Watts: 2.93
CFM/W: 667

HIGHEST SPEED

RPM: 145
CFM: 4,923
Watts: 33.65
CFM/W: 146

Energy Guide Data

Average Energy Use
21 Watts

Average Airflow
3,695 CFM

Yearly Energy Cost
\$6

Average Efficiency
179 CFM/W

Energy Guide Data represents weighted averages of low speed and high speed performance, assuming typical use (excluding light). For more information, visit www.modernfan.com.

Ambit DC

Matte Black/
Satin Brass with
Mahogany Blades
(no light)



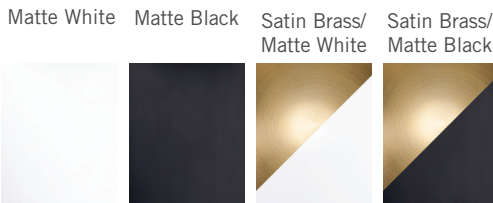
Matte White with
Maple Blades
(no light)



Matte White/
Satin Brass with
White Blades and
870 LED Light



FAN FINISHES



INJECTION MOLDED BLADES

Injection molded blades are constructed of ABS plastic and painted with solid colors or surface-printed with woodgrain detailing as shown here.



AMBIT DC CONTROLS

Ambit DC controls use RF transmission to a receiving unit included with each fan, providing six speeds, reversing and light function (on/off or dimming). Control selection is made at time of order and incorporated into fan item number. Controls utilize dedicated (unique) RF channels to avoid interference with other ceiling fans installed nearby. The wall control (if ordered) also includes a master power switch.

Wall Control (WC)



Remote Control (RC)



Wall/Remote Combo (CC)



* The Ambit DC must use one of the above control options. Third party fan controls are not compatible with this product. The Remote Control (RC) can be used in combination with a standard power switch (on-off) in wall box.

** Wall control unit is designed for operation of a single fan/fan light only. For multiple units on a single switch leg, the remote control option can be used if the fans are within suitable range. Contact Modern Fan customer support with questions or for additional guidance.

*** To replace lost or damaged control components or to add secondary control to existing control sets (e.g. to add a handset to an existing wall control system), contact Modern Fan Co. customer support for ordering guidance.

DOWN RODS

The Ambit DC ships standard with 6" and 16" down rods. Use the following part numbers to order accessory down rods.

#DRD	Finish	Length
▲		▲
MW	Matte White	12 12"
MB	Matte Black	24 24"
SB	Satin Brass	36 36"
		48 48"
		60 60"
		72 72"

SLOPE ADAPTER

The Ambit DC will accommodate ceiling slopes up to 20 degrees. The #045 slope adapter can accommodate slopes exceeding 20 degrees and up to 45 degrees.

#045	Finish
▲	
MW	Matte White
MB	Matte Black
SB	Satin Brass