

Installation Instructions

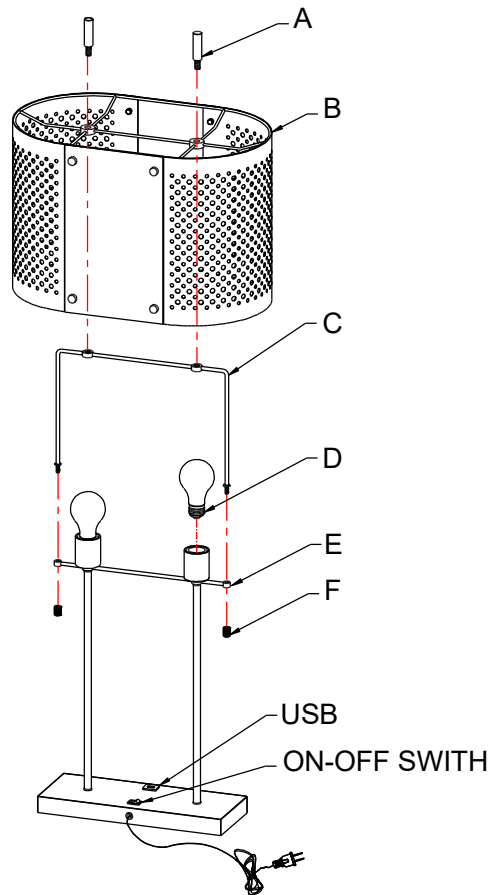
For Portable Lamp #P5532

WARNING:

- Risk of shock, do not plug unit before assembly is completed.
- Do not exceed the maximum wattage rating.
- Before you begin assembly of your new fixture, please follow the instruction manual step by step.

INSTALLATION

1. Place all parts on a smooth, flat surface to protect the finish until ready to install.
2. Secure support bar (C) to fixture body (E) using nut (F). Slide shade (B) over support bar (C) and secure with finial (A).
3. Install (2) two medium base bulbs (D) up to 100 watts each or CFL or LED equivalent in accordance with the fixture specification. **(DO NOT EXCEED THE MAXIMUM WATTAGE RATING!) (NE PAS DEPASSER LA PUISSANCE NOMINALE MAXIMALE!).**



IMPORTANT SAFETY INSTRUCTIONS

1. This portable lamp has a polarized plug (one blade is wider than the other) as a safety feature to reduce the risk of electric shock. This plug will fit in a polarized outlet only one way. If the plug does not fit fully in the outlet, reverse the plug. If it still does not fit, contact a qualified electrician. Never use with an extension cord unless plug can be fully inserted. Do not alter the plug.
2. This lamp uses rocker on/off switch on the lamp base.
3. This lamp has a USB port for charging electronic devices (OUTPUT:DC 5V 2A).

LA-3608E (Date: Feb. 27. 2023)

IN AN ONGOING EFFORT TO BE ENVIRONMENTALLY FRIENDLY AND IN COMPLIANCE WITH CALIFORNIA TITLE 20 AN ENERGY SAVING COMPACT SBLED BULB(S) IS INCLUDED. PLEASE NOTE THAT THE LIFE EXPECTANCY OF THE BULB(S) IS NOT GUARANTEED.

