

INSTALLATION INSTRUCTION

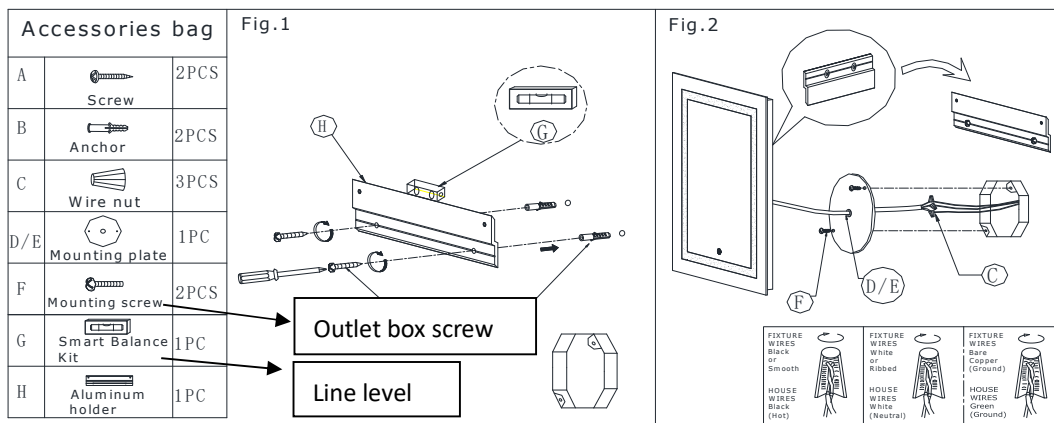
For MODEL#P6105/P6106/P6107/P6108/P6109(4/25/2020)

FOR HOUSEHOLD USE ONLY, SAVE THESE INSTRUCTIONS

WARNING: To avoid the risk of electric shock, be sure to turn off main power prior to install mirror light or maintenance. Please read the installation manual thoroughly. Clean mirror light periodically to help maintain its new appearance over the years. Use only micro fiber or lint free cloth to avoid scratching the finish.

HANGING THE MIRROR LIGHT

- Carefully unpack your new mirror and lay out all the parts on a clear area. Take care not to lose any small parts necessary for installation.
- Using the aluminum holder (H) as the template and near a junction box, mark the hole positions. Use the line level (G) to make sure you are level. Drill two holes into the wall and insert the anchors (B).
- Secure the aluminum holder (H) to the wall by screwing two screws (A) into the two anchors (B). Before tightening, use the line level (G) to do the proper horizontal adjustment. (Fig. 1).
- While carefully holding the mirror, pass the electrical wires through the mounting plate (E) and washer (D). Connect the electrical wires as shown in (Fig.2). Make sure that all wire nuts (C) are secured. If your outlet box does not have a ground wire, consult your electrician for proper grounding. Carefully push all wires into the junction box. Place the mounting plate (E) over the junction box and secure with two outlet box screws (F).
- Hang the mirror over the aluminum holder (H) on the wall to the aluminum holder on the back of the mirror.
- Remove the protected plastic film from the mirror surface. Now the mirror installation is completed.
- Turn on electric power from circuit breaker or switch box. The mirror touch button will appear blue color as it is in standby mode automatically.



OPERATION INSTRUCTIONS & FUNCTION

- When power is first restored to the mirror, the touch button is blue (standby mode).
- Press the touch button once; the main LED light will turn on. Color will change to white.
- Press the button again; the main LED light will turn off and LED night light will turn on.
- Press the button again, the main LED light and night light all off. Color will change back to blue.
- When power is shut off, the mirror will remember the last setting when turned back on.

