

INSTALLATION INSTRUCTIONS FOR P1927-726-L

For LED Floor Lamp

READ AND SAVE THESE INSTRUCTIONS

ASSEMBLING THE LAMP (Fig.1)

1. Carefully unpack your new lamp and lay out all the parts in a clear area. Take care not to misplace any small parts necessary for installation.
2. Loosen screw (G) and separate base (B) and base cover (F). Pass plug (E1) through the hole in base (B) and insert all thread on fixture tube (A) through base (B). Add washer (C) and hex nut (D) and secure with tool (X) provided. (Please note that it must be firmly fixed)
3. Connect plugs (E2) and (E1), then secure base cover (F) to base (B) using screw (G).
4. Carefully separate LED box (L) and glass box (H). Place glass box (H) onto all thread (Y) on fixture tube (A). Add 2pcs spring washers (I) and hex nut (J) and secure using with tool (X) provided. (Do not over tighten).
5. Connect plugs (K1) and (K2). Place LED box (L) onto glass box (H) and secure using allen wrench (M) provided to tighten screws (N).
6. Insert power connector (U) into base cover (F), then connect into power plug (W).
7. Rotate glass box (H) to your suitable position (**Please note that the maximum adjustment angle is 270 degrees**)
8. This floor lamp contains a ON/OFF foot switch (V) on the power cord.

MAINTENANCE: Use a soft lint free cloth to clean metal frame. UNDER NO CIRCUMSTANCES SHOULD METAL POLISHES, AMMONIA BASED CLEANERS, ABRASIVES OR AEROSOL SPRAYS BE USED.

CAUTION /ATTENTION: When handling the fixture, do not apply pressure to the LEDs. Hold the fixture by the base or fixture body only.

Replacing LED module (Fig.2)

The LED module can be replaced by a qualified electrician without cutting the wires and without damaging the decorative element to which the fixture is attached. See installation steps for more details (Fig.2)

Warning: Turn off power at the fuse box or circuit breaker before replacing the LED module.

- a. Pull out the power (W).
- b. Loosen screws (N) using allen wrench (M). Carefully remove LED box (L). Disconnect plugs (K1) & (K2). Loosen screw (O) and plastic sheet (P). Remove decorative cover (Q). Loosen hex nut (R) and plastic washer (S) and carefully remove LED module (T).
- c. Reverse steps a-b for installing the new LED module.

Note: The LED module should be provided by a specified supplier.

IN AN ONGOING EFFORT TO BE ENVIRONMENTALLY FRIENDLY AND IN COMPLIANCE WITH CALIFORNIA TITLE 20 AN ENERGY SAVING INTEGRATED IS INCLUDED.

Fig.1

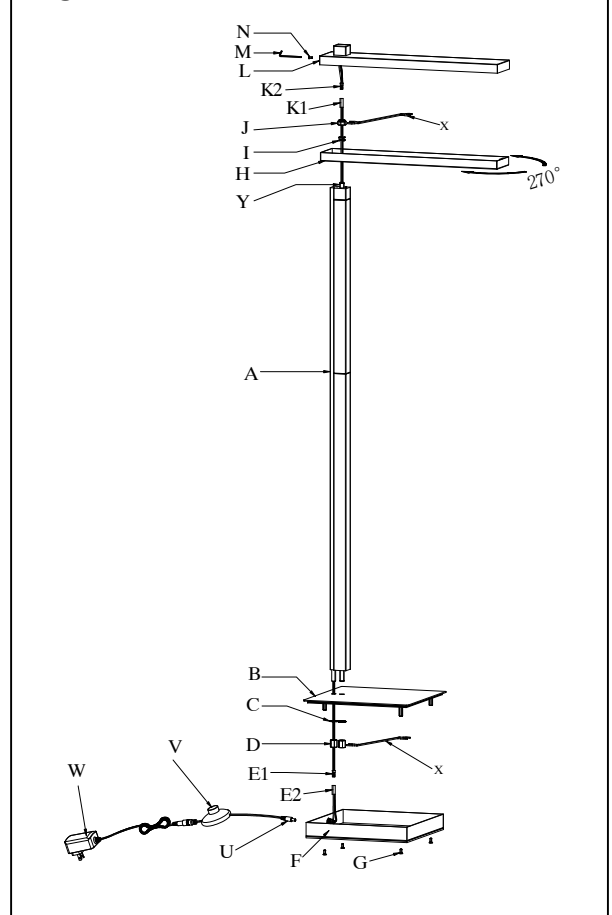


Fig.2

