

CRYSTORAMA

LIGHTING THE WAY FOR SIXTY YEARS



Crystorama.com

ASSEMBLY INSTRUCTION MODEL # OAK-7536-SG_CEILING



All electrical components must be installed by a licensed electrician in accordance with the National Electric Code and the appropriate local electrical codes.



Included LED Panel, 20 Watts
CCT Driver with temperature options for 2700K and 3000K
USE LED BULBS FOR EXTENDED USE
THIS FIXTURE IS DAMP RATED

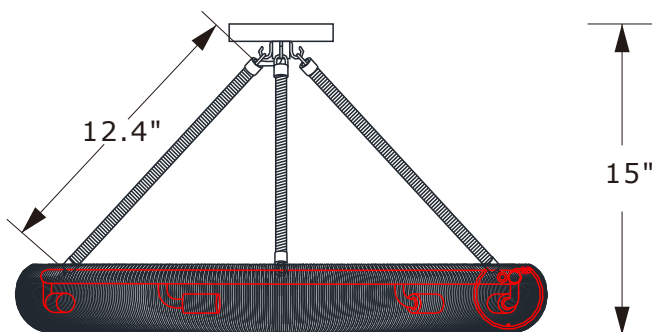
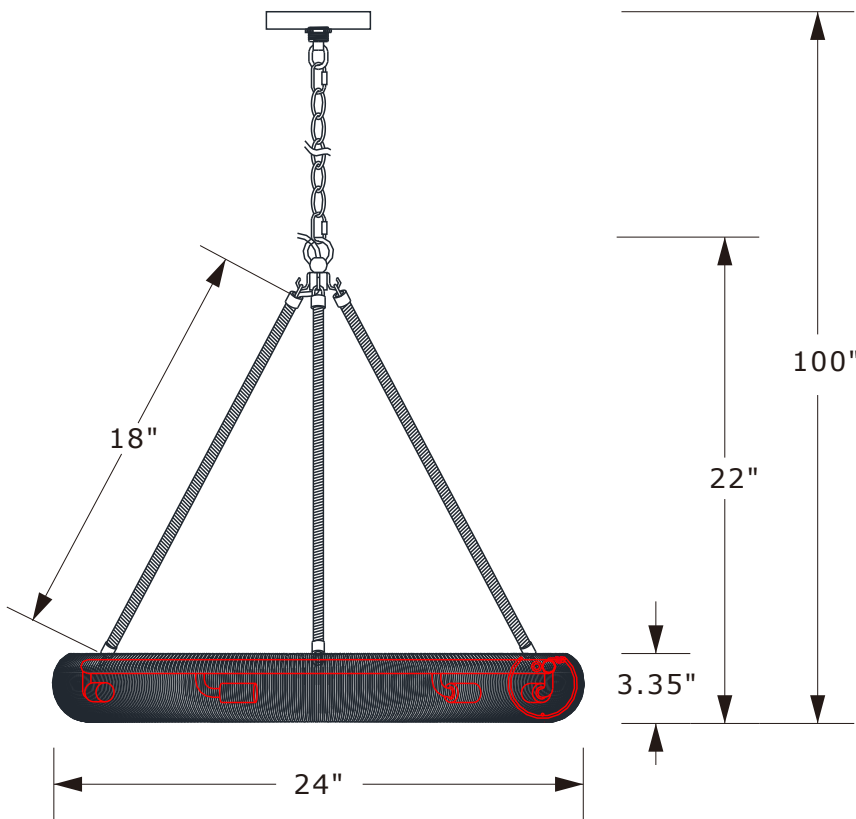
How to install

For Hanging:

1. Using a screw driver, remove the three screws on the light cluster that are securing the circular ring in place.
2. Remove the circular ring and install the LED G9 bulbs (included) then tighten with the previously removed screws.
3. Feed the wire through the rods. First remove the open hook on the long rod. Thread the wire through the open hook and then through the long rod. Finally, tighten the open hook and the long rod together. Repeat for the other two long rod.
4. Take the end of the rod with a open hook and attach it to the top of the fixture frame. And the other end onto the hook on loop kit.
5. Decide the preferred hanging height and choose the correct chain length needed.

For Ceiling:

1. Repeat step: # 1-2 above.
2. Repeat step #3-4 above, changing the long rod to short rod. Changing the pendant canopy(B) to ceiling canopy(L).



WARNING: This product can expose you to Lead, which is known to the State of California to cause cancer and/or birth defects or reproductive harm. For more information go to www.P65Warnings.ca.gov.



PART NUMBER MODEL # OAK-7536-SG_CEILING

Part Number

- A. (1) - Mounting Hardware1
- B. (1) - CanopyA(W4.7",H0.78",Hole size 26mm) #XRE7536SGCAN4.75IN1
- C. (1) - Collar Ring
- D. (1) - Collar Loop
- E. (2) - Quick Link
- F. (1) - Hanging Chain(72",3.2mm)#XRE7536SGCHA3.2MM
- G. (1) - Loop Kit
- H. (3) - Long Rod(17.5",9.3mm) #XRE7536SGSTEM17.5IN
- I. (5) - Screw
- J. (6) - LED G9 Bulb
- K. (1) - Mounting Hardware2
- L. (1) - CanopyB(W4.7",H0.78",Hole size 10.5mm) #XRE7536SGCAN4.75IN2
- M. (3) - Short Rod(12",9.3mm) #XRE7536SGSTEM12IN

