

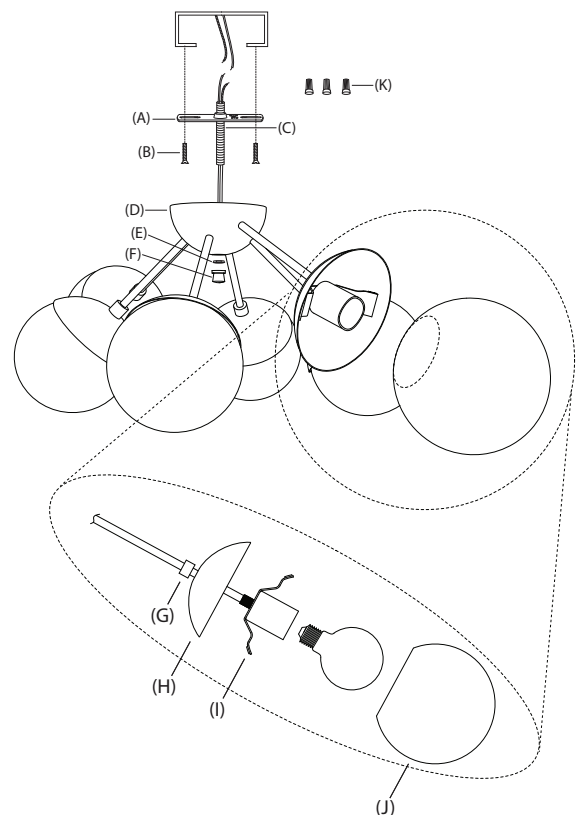
ASSEMBLY INSTRUCTIONS FOR YOUR CELESTE FLUSH MOUNT

IMPORTANT SAFETY INSTRUCTIONS:

- * These instructions are provided for your safety. It is very important that they are read completely before beginning the installation of your fixture.
- * **WE STRONGLY RECOMMEND INSTALLATION BY A LICENSED ELECTRICIAN.**
- * Turn off power at switch before replacing bulbs, making sure fixture has had sufficient time to cool down.
- * If any special control devices are used with this fixture, follow the instructions carefully to assure full compliance with N.E.C. requirements. If there are any questions, contact a qualified electrical contractor.
- * This fixture is U.L. rated for dry locations.

ASSEMBLY INSTRUCTIONS:

1. SHUT OFF THE MAIN ELECTRICAL SUPPLY AT FUSE BOX/ CIRCUIT BREAKER.
2. Remove all parts from carton. Do not throw away any parts.
3. Remove cross bar (A) from canopy (D) by unthreading nut (E) and decorative finial (F) from threaded tube (C).
4. Affix cross bar (A) to ceiling outlet box using screws (B) provided.
5. Lift fixture to cross bar (A) and make proper electrical connections described below.
A LICENSED ELECTRICIAN IS RECOMMENDED.
6. Attach ground wire from fixture (green or silver in color) to ground wire from outlet box. Fasten wires together with wire nut (K) and tightly wrap connection with electrical tape.
7. Attach hot wire from fixture (black in color or smooth side of wire) to hot wire from outlet box. Fasten wires together with wire nut (K) and tightly wrap connection with electrical tape.
8. Attach neutral wire from fixture (white in color or ribbed side of wire) to neutral wire from outlet box. Fasten wires together with wire nut (K) and tightly wrap connection with electrical tape.
9. Carefully push wire connections back into the ceiling outlet box.
10. Carefully slide canopy (D) up threaded tube (C) and hold firmly against ceiling, making sure not to pinch wires from fixture between canopy (D) and the ceiling.
11. Thread nut (E) onto exposed threaded tube (C) to secure fixture to ceiling. Cover nut (E) with decorative nut (F).
12. Install (6) 40W MAX Type A15 (short neck), medium base incandescent bulbs or (6) 6W MAX LED bulbs into sockets.
13. Reconnect main electrical supply at the fuse box/circuit breaker and test the fixture.
14. To attach glass shades, first loosen threaded washer (G) and move shade cap (H) up. Once loosened, slide glass shade (J) over the bulb and shade retention clip (I). Slide shade cap (H) back down over the glass shade (J). Then tighten threaded washer (G) until hand tight. (This will tighten the shade retention clip (I) holding the glass shade (J) in place).
15. Repeat shade installation instructions for each arm.



To clean, use soft cloth only. Do not use any chemical or abrasive cleaners.