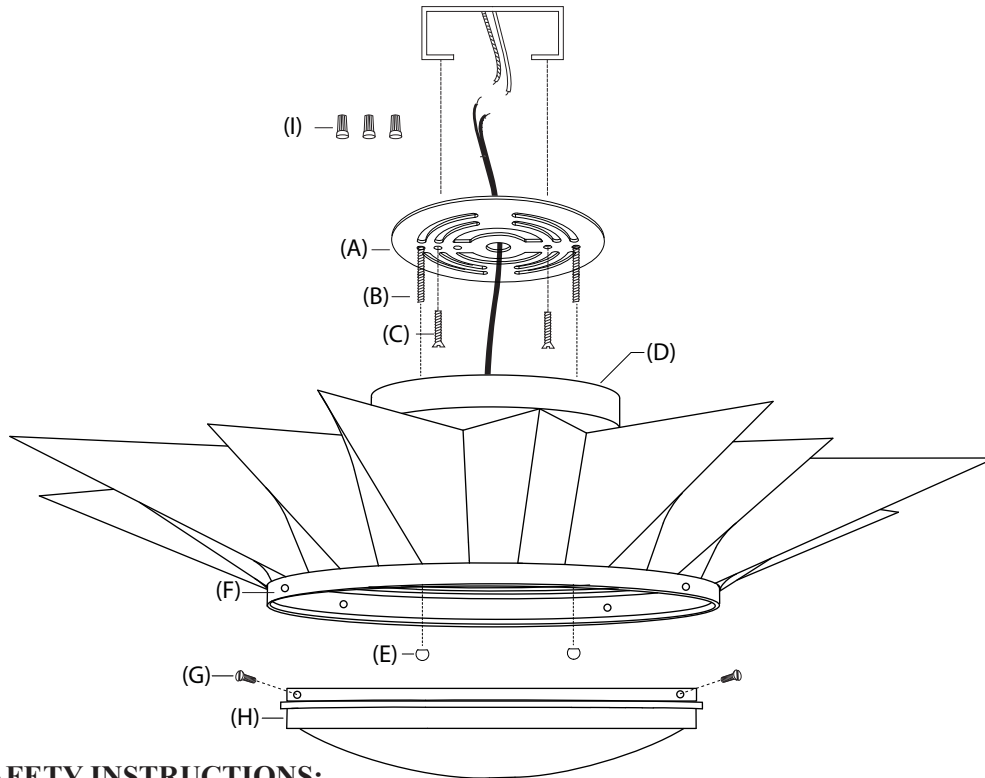


ASSEMBLY INSTRUCTIONS FOR YOUR COSMOS FLUSH MOUNT



IMPORTANT SAFETY INSTRUCTIONS:

*These instructions are provided for your safety. It is very important that they are read completely before beginning the installation of your fixture.

***WE STRONGLY RECOMMEND INSTALLATION BY A LICENSED ELECTRICIAN.**

*Turn off power at switch before replacing bulbs.

*If any special control devices are used with this fixture, follow the instructions carefully to assure full compliance with N.E.C. requirements. If there are any questions, contact a qualified electrical contractor.

*This fixture is UL rated for dry locations.

ASSEMBLY INSTRUCTIONS:

1. SHUT OFF THE MAIN ELECTRICAL SUPPLY FROM THE MAIN FUSE BOX/CIRCUIT BREAKER.
2. Remove all parts from carton. Do not throw away any parts.
3. Remove glass shade (H) from housing (F) by unthreading screws (G). Set screws (G) and glass shade (H) aside.
4. Remove mounting plate (A) from canopy (D). Do this by unthreading decorative nuts (E) from threaded tubes (B). Set decorative nuts (E) aside.
5. Carefully pull wiring from outlet box. Thread wires through center hole in mounting plate (A).
6. Affix mounting plate (A) to outlet box using screws (C), provided.
7. Lift canopy (D) to outlet box and make proper electrical connections described in steps 8 - 10.
8. Connect ground wire from fixture to ground wire in outlet box. Fasten wires together with wire nut (I) and wrap connection with electrical tape.
9. Attach hot wire from fixture to hot wire from outlet box. Fasten wires together with wire nut (I) and wrap connection with electrical tape.
10. Attach neutral wire from fixture (white in color or ribbed side of wire) to neutral wire from outlet box. Fasten wires together with wire nut (I). Wrap connection with electrical tape.
11. Carefully push wire connections back through hole in the center of mounting plate (A). Place canopy (D) over the mounting plate, aligning holes in canopy with threaded tubes (B). Slide canopy (D) over threaded tubes (B). Thread decorative nuts (E) onto threaded tubes (B) to secure fixture to ceiling.
12. Install two 60W max. Type B, medium base bulbs into sockets located inside housing (F).
13. Lift glass shade (H) to fixture and align holes in shade (H) with holes in housing (F). Thread screws (G) into housing until hand tight to secure shade to fixture.
14. Reconnect main electrical supply at the fuse box/ circuit breaker and test the fixture.

To clean, use soft cloth only. Do not use any chemical or abrasive cleaners.