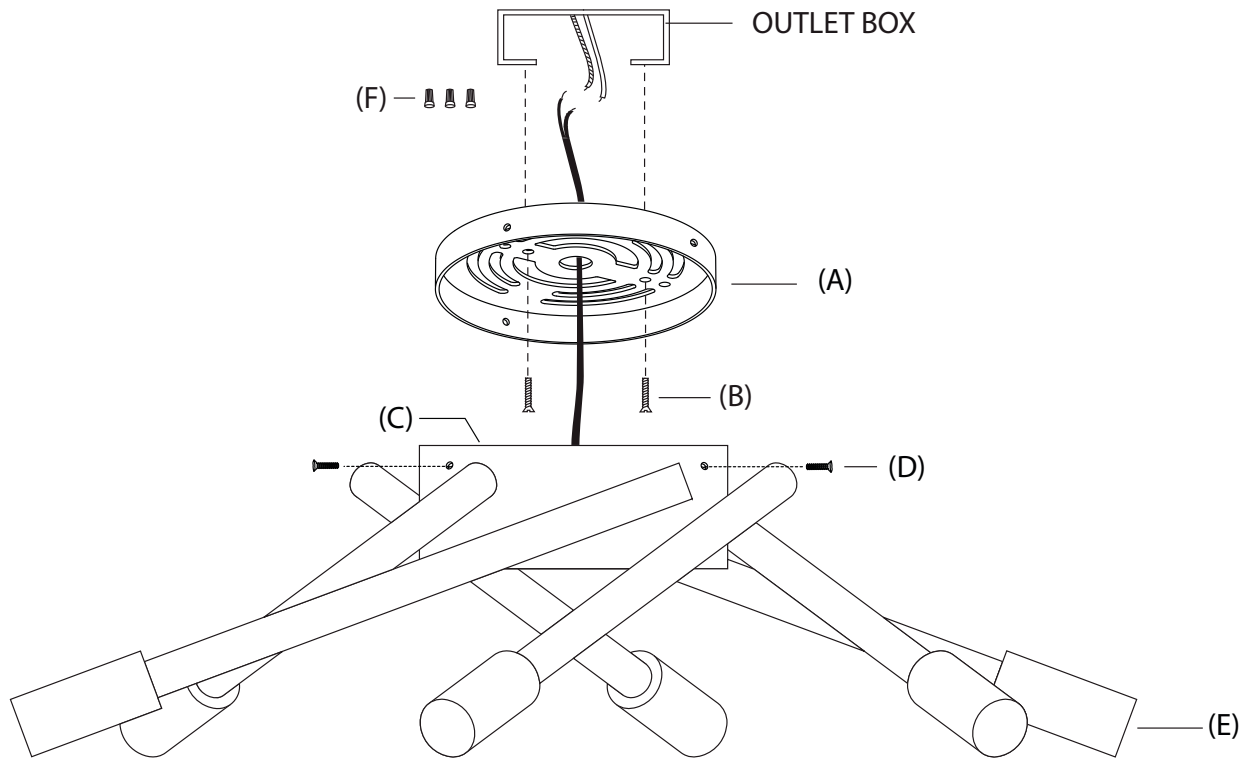


ASSEMBLY INSTRUCTIONS FOR YOUR THATCHER FLUSH MOUNT



IMPORTANT SAFETY INSTRUCTIONS:

- * These instructions are provided for your safety.
- * It is very important that they are read completely before beginning the installation of your fixture.
- * **WE STRONGLY RECOMMEND INSTALLATION BY A LICENSED ELECTRICIAN.**
- * Turn off power at switch before replacing bulbs, making sure fixture has had sufficient time to cool down.
- * This fixture is UL rated for dry locations.

ASSEMBLY INSTRUCTIONS:

1. SHUT OFF THE MAIN ELECTRICAL SUPPLY FROM THE MAIN FUSE BOX/CIRCUIT BREAKER.
2. Remove all parts from carton. Do not throw away any parts.
3. Remove mounting plate (A) from canopy (C) by removing screws (D). Set screws (D) aside.
4. Carefully pull wiring from outlet box. Thread wires through center hole in mounting plate (A).
5. Affix mounting plate (A) to outlet box using screws (B), provided.
6. Lift canopy (C) to outlet box and make proper electrical connections described in steps 7 - 9.
7. Connect ground wire from fixture to ground wire in outlet box. Fasten wires together with wire nut (F) and wrap connection with electrical tape.
8. Attach hot wire from fixture to hot wire from outlet box. Fasten wires together with wire nut (F) and wrap connection with electrical tape.
9. Attach neutral wire from fixture (white in color or ribbed side of wire) to neutral wire from outlet box. Fasten wires together with wire nut (F). Wrap connection with electrical tape.
10. Carefully push wire connections back through hole in the center of mounting plate (A). Slide canopy (C) over mounting plate (A). Thread screws (D) into holes in canopy (C) to secure fixture to ceiling.
11. Install six 40W MAX Type B, candelabra base bulbs into socket (E).
12. Reconnect main electrical supply from the fuse box/circuit breaker and test the fixture.