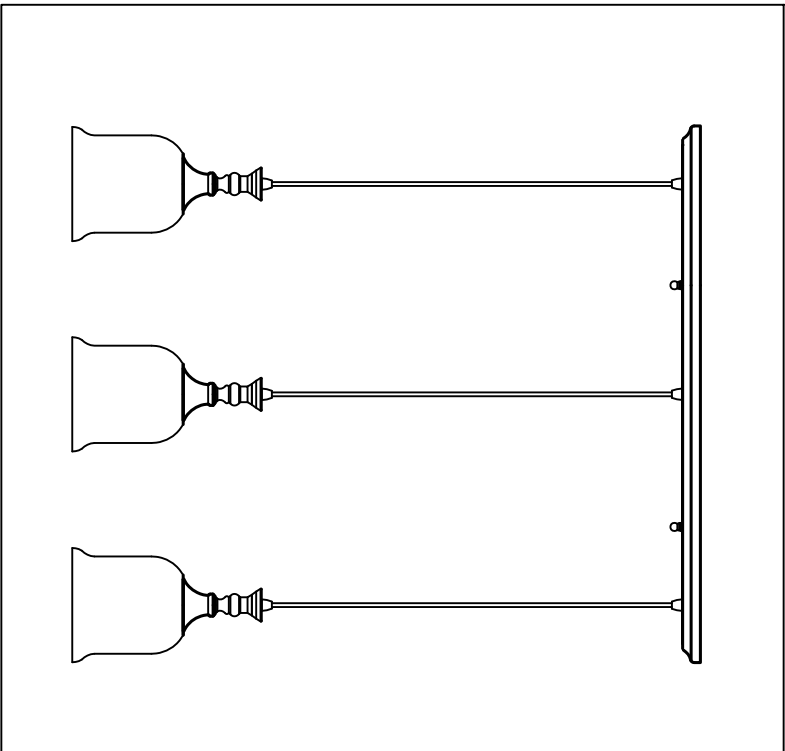




PRODUCT NAME: Centennial 3-Lights Pendant  
ITEM NUMBER: 20473CLPN

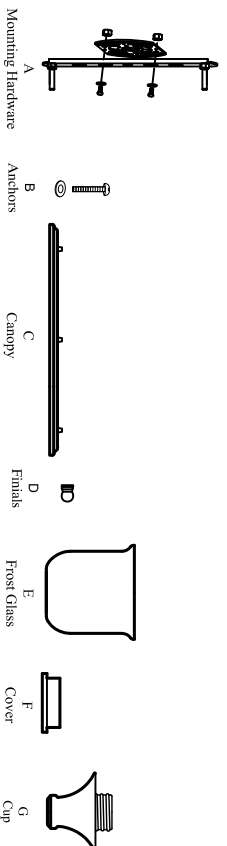
Please consult your electrician for hanging fixture and wiring.



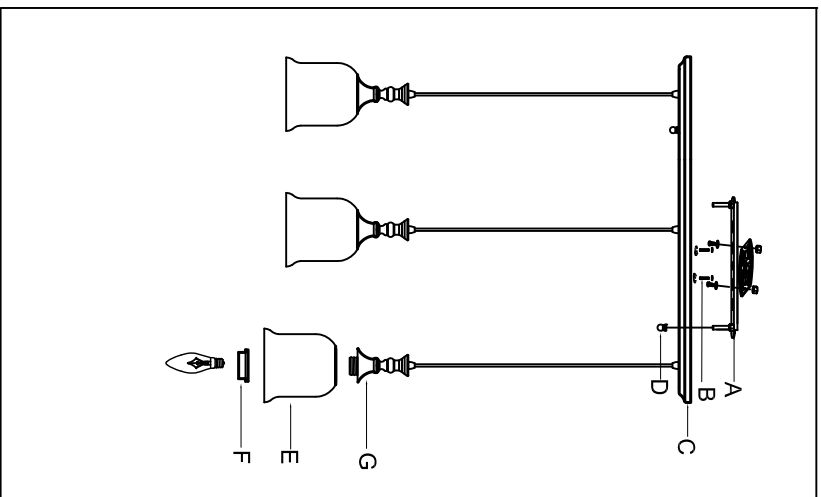
Bulb (Not included): 3x 60W E26 medium base

MADE IN CHINA  
Page 1 of (2)

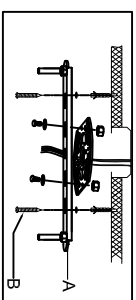
**IMPORTANT:** Turn OFF the power at the main fuse or circuit breaker box before starting installation



Locate all hardware & components before discarding packaging

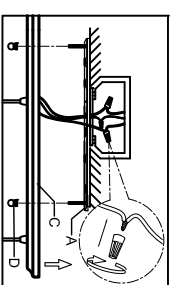


1.)



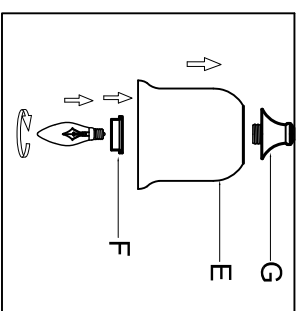
Step 1: Remove mounting bracket (A) from Canopy (C) and install to electrical box.

2.)



Step 2: Wire fixture to wires in outlet box. Black wire is positive, white is neutral, bare wire is ground. Install fixture to mounting bracket using finials (D).

3.)



Step 3: Place glass over socket and secure using threaded socket cover (F). Use Max 60W bulbs.

**Cleaning & Care:**  
Clean with soft cloth and a mild detergent.  
Do not use abrasive cleaner.

Page 2 of (2)